

evMV-25G-2XQSFP

Advanced Multi-Image Display Processor with 25GbE Interface

The evMV-25G-2XQSFP is an integrated multiviewer that supports up to 32 inputs of processing and up to 4 UHD outputs via its 25GbE interface. The evMV-25G-2XQSFP displays inputs at any size, aspect ratio and position. Also, evMV-25G-2XQSFP accepts uncompressed video, including SMPTE ST 2110, SMPTE ST 2022-6, RDD 37 (ASPEN) and outputs mosaics over uncompressed video over 25GbE multiple links.

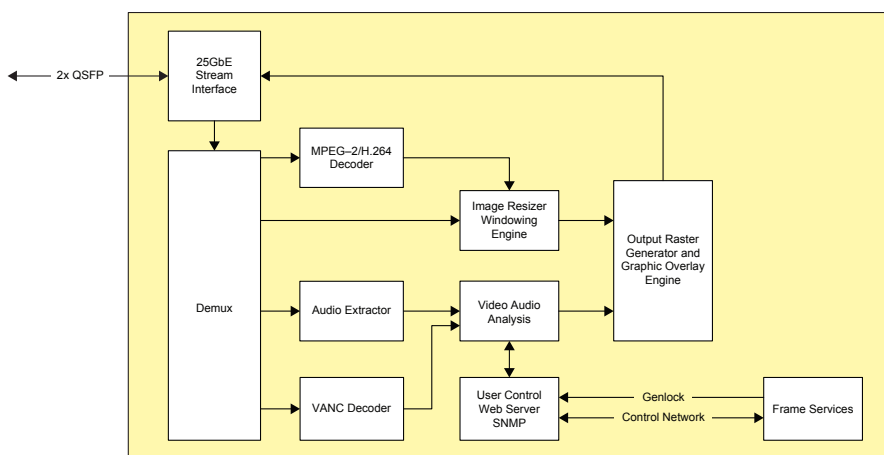
The evMV-25G-2XQSFP is a hot-swappable device, which can reside in ev6-FR with optional redundant power supplies. This allows high density I/O count per RU.

The evMV-25G-2XQSFP input can be displayed in any size, position or aspect ratio on any display. The evMV-25G-2XQSFP provides the best quality input reproduction and leverages the same video processing technology as Evertz conversion products.

The evMV-25G-2XQSFP is VistaLINK enabled offering remote monitoring and configuration capabilities via SNMP. The evMV-25G-2XQSFP is easily configurable via the web interface. Layouts can be designed in a live control environment using VUE-WEB. Key features include automatic aspect ratio adjustment per source basis, graticule generation, VITC/HD time code decode, cc/Teletext decode/burn-in, Dolby-E monitoring, Loudness monitoring, macroblock detection and much more.

Features & Benefits

- Supports up to 32x uncompressed inputs over 1x QSFP
- Supports uncompressed video, including SMPTE ST 2110, SMPTE ST 2022-6, RDD 37 (ASPEN)
- Supports up to 4x mosaic uncompressed outputs at 1080p or 2x up to UHD outputs
- Industry leading image processing
- Supports dynamic UMD's and Tallies
- Application specific customizable feature sets available as software options
- Minimum processing delay
- Browser based real time control of display outputs via VUE-WEB software, and integration with VistaLINK PRO, MAGNUM, VUE and Mediator software suites.



Specifications

Input: Format:	Uncompressed 3G/HD/SD over 25GbE, SMPTE ST 2110, SMPTE ST 2022-6, RDD 37 (ASPEN)	Resolution Supported:	1080p/59.94, 1080p/50, 1080i/59.94, 1080i/50, 720p/59.94 and 720p/50	Electrical: Voltage:	12V DC
				Power:	200W
				EMI/EFI:	Compliance with FCC Part 15, Class A EU EMC Directive
Output: Format:	Uncompressed 3G/HD over 25GbE, SMPTE ST 2110, SMPTE ST 2022-6, RDD 37 (ASPEN)	Connectivity: No. of Connections:	2	Physical: No. of Slots:	3
		Connector Type:	QSFP+		
		Reference:	Genlock, PTP, PCR		

Ordering Information

evMV-25G-2XQSFP Multi-Image Display Processor hardware for 25GbE interface

Input Options:
evMV-FK-VIP-8IP-3G Feature key to enable 8x 3G inputs
evMV-FK-VIP-16IP-3G Feature key to enable 16x 3G inputs
evMV-FK-VIP-24IP-3G Feature key to enable 24x 3G inputs
evMV-FK-VIP-32IP-3G Feature key to enable 32x 3G inputs

Output Options:
evMV-FK-VIP-10UT Feature key to enable 1x 1080p output
evMV-FK-VIP-20UT Feature key to enable 2x 1080p or 1x UHD outputs
evMV-FK-VIP-30UT Feature key to enable 3x 1080p outputs or 1x UHD and 1x 1080p output
evMV-FK-VIP-40UT Feature key to enable 4x 1080p outputs or 2x UHD outputs

Lite Monitoring Options:
evMV-FK-VIP-8MON Audio and Video monitoring option for 8x inputs
evMV-FK-VIP-16MON Audio and Video monitoring option for 16x inputs
evMV-FK-VIP-24MON Audio and Video monitoring option for 24x inputs
evMV-FK-VIP-32MON Audio and Video monitoring option for 32x inputs

Advance Monitoring Options:
evMV-FK-VIP-8MON-ADV Feature key to enable advanced Audio, Video and ancillary data monitoring for 8x inputs
evMV-FK-VIP-16MON-ADV Feature key to enable advanced Audio, Video and ancillary data monitoring for 16x inputs
evMV-FK-VIP-24MON-ADV Feature key to enable advanced Audio, Video and ancillary data monitoring for 24x inputs
evMV-FK-VIP-32MON-ADV Feature key to enable advanced Audio, Video and ancillary data monitoring for 32x inputs