

# X-1201

## X-Series 12x1 Video And Audio Router



The X-1201 supporting 3G/HD/SD SDI signals, is a twelve-input routing switcher that provides a convenient, low cost way to route high definition and standard definition serial digital signals. The X-1201 routers are used for 3Gb/s, 1.5Gb/s, 270Mb/s, 360Mb/s, 540Mb/s and DVB-ASI serial digital signals. When the unit is ordered with the Quad 12x1 AES router option the AES output busses can be used in an "audio follow video" mode, or can be broken away from the video bus. This router features the ability for redundancy protection with a bypass relay and optional dual power supplies. The router electronics are housed in a 1RU rack mount frame and is controlled from the built-in front panel controls. Each model can also be purchased with an optional rack mount remote control panel that replaces the built-in control panel, or can be used as

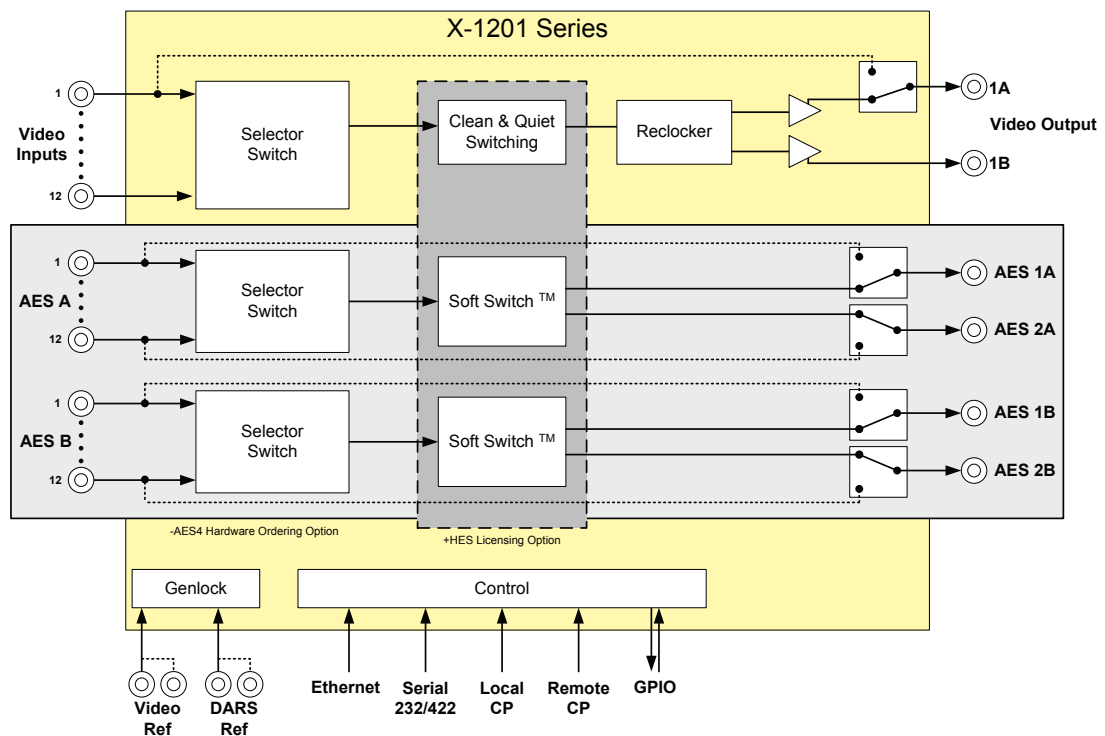
a second control panel. All units can also be controlled by Quartz over Ethernet, contact closures on the GPI control port or through the RS-232 or RS-422 serial remote control port using industry standard switcher protocols.

### Embedded SoftSwitch™ Features (HES)

Routers equipped with Embedded SoftSwitch™ have all the features of the SoftSwitch™ versions as well as the following additional features. The embedded audio on the Video 1 buss uses Evertz patented SoftSwitch™ technology to eliminate audible pops when switches are performed (for SD, HD or 3G video). Embedded SoftSwitch™ is performed on all four audio groups.

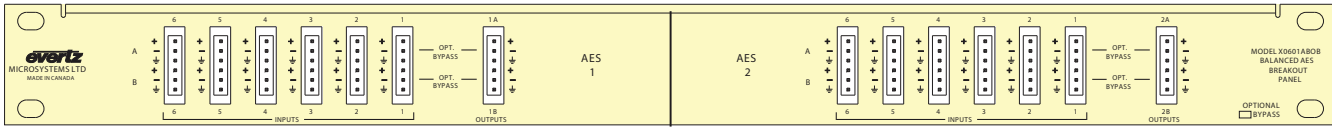
### ► Features & Benefits

- Supports SMPTE ST 424M (3Gb/s), SMPTE ST 292-1 (1.5Gb/s), SMPTE ST 259 (270, 360 or 540Mb/s) and DVB-ASI video signals
- Switch point is fully controllable from the front panel
- Video input presence detection displayable on the front panel
- Front panel or remote control panel version available, second control panel can be ordered for any version
- Programmable source input names available on the front panel
- Bypass verification test using main menu
- Programmable tally output bus
- GVG TEN-XL protocol and Quartz protocol are supported
- SoftSwitch™ model provides clean video and popless AES switching
- Video and audio input relay bypass for power failure bypass protection
- Optional dual power configuration
- Remote control via SNMP

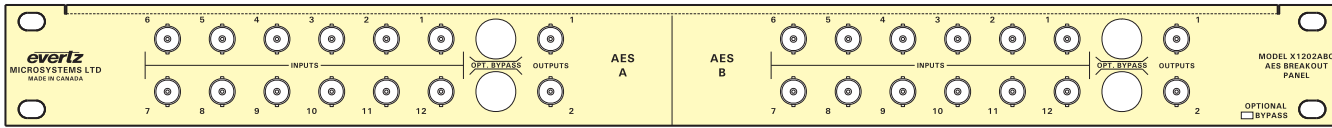


The Complete Solution Provider





**(Balanced AES Audio Breakout Panel)**



**(Unbalanced AES Audio Breakout Panel)**

### Specifications

<p><b>Video Input</b> Standard: SMPTE ST 424-1 (3Gb/s), SMPTE ST 292-1 (1.5Gb/s), SMPTE ST 259 (270Mb/s, 360Mb/s, 540Mb/s) and DVB-ASI</p> <p>Number of Inputs: 12 Connector: BNC per IEC 61169-8 Annex A Equalization: Automatic up to 150m@3G, 275m@HD, 475m@SD and with bypass output 115m@3G, 200@HD, 450m@SD</p> <p>Input Timing: HES models Only Input Range: Measured with respect to the Genlock reference; ±1/2 line when Coarse phase = 1, Fine phase = 0</p> <p><b>Video Output</b> Standard: Same as input Number of Outputs: 2 per buss, 1 buss; Input 1 bypass protected Connector: BNC per IEC 61169-8 Annex A Signal Level: 800mV nominal DC Offset: 0V ±0.5V Output Timing: HES models Only Output Phase: Measured with respect to the Genlock reference; adjustable line buffer is used for clean and quiet switching</p>	<p><b>AES Audio Inputs (AES4 versions only)</b> Standard: AES3-2003 balanced <i>+B Option:</i> AES3-2003 balanced <i>+U Option:</i> SMPTE ST 276M single-ended AES</p> <p>Number of Inputs: 12 per buss, 2 or 4 busses optional Connector: <i>On breakout panel(s) provided</i> <i>+B Option:</i> Removable terminal strips <i>+U Option:</i> BNC per IEC 61169-8 Annex A</p> <p>Signal Level: <i>+B Option:</i> 2-7V p-p ±10% <i>+U Option:</i> 1V p-p ±10%</p> <p><b>AES Audio Outputs (AES4 versions only)</b> Standard: Same as input Number of Outputs: 2 per buss, 2 or 4 busses optional Connector: Same as input Signal Level: <i>+B Option:</i> 2V p-p nominal <i>+B Option:</i> 2V p-p nominal</p> <p><b>Video Reference</b> Type: Menu selectable — depends on video format Connectors: 2x BNC per IEC 61169-8 Annex A Termination: High impedance loop through</p> <p><b>GPI Control Port</b> Number of Inputs: 14 opto-isolated, programmable functions</p>	<p>Number of Outputs: 4 sets of relay contacts, normally closed, programmable functions Relay Max Rating: 1A at 30V DC</p> <p><b>Remote Control Panel Port</b> Standard: RS-422, 9600 baud rate Connector: 9-pin female "D" Protocol: Remote Control Panel</p> <p><b>Serial Remote Control</b> Standard: RS-232 or RS-422 Baud Rate: Programmable Connector: 9-pin female "D" Protocol: GVG Ten-XL Protocol, master, slave or quartz router protocol</p> <p><b>Ethernet</b> Connector: RJ-45 Protocol: Quartz router protocol, SNMP</p> <p><b>Electrical</b> Power: Auto ranging 100-240V AC, 50/60HZ, 40W Fuse: 250V, 1A time delay</p> <p><b>Physical</b> Height: 1.75" (45mm) Width: 19" (483mm) Depth: 7.75" (196mm) Weight: 8lbs (3.5kg)</p>
---	--	---

### Ordering Information

<b>X-1201-HX</b>	12x1 HD/SD SDI video bypass protected router
<b>X-1201-HX-HES</b>	12x1 HD/SD SDI video bypass protected router with clean/SoftSwitch™ capability
<b>X-1201-HX-AES4</b>	12x1 HD/SD SDI video bypass protected router with 4 levels of AES (includes 2x AES breakout panels), must choose +U or +B
<b>X-1201-HX-AES4-HES</b>	12x1 3G/HD/SD SDI video bypass protected router with 4 levels of AES (includes 2x AES breakout panels) and clean/SoftSwitch™ capability, must choose +U or +B
<b>X-1201-3G</b>	12x1 3G/HD/SD SDI video bypass protected router
<b>X-1201-3G-HES</b>	12x1 3G/HD/SD SDI video bypass protected router with clean/SoftSwitch™ capability
<b>X-1201-3G-AES4</b>	12x1 3G/HD/SD SDI video bypass protected router with 4 levels of AES (includes 2x AES breakout panels), must choose +U or +B
<b>X-1201-3G-AES4-HES</b>	12x1 3G/HD/SD SDI video bypass protected router with 4 levels of AES (includes 2 AES breakout panels) and clean/SoftSwitch™ capability, must choose +U or +B

**Ordering Options:**

<b>+B</b>	Balanced AES Audio Breakout Panel
<b>+U</b>	Unbalanced AES Audio Breakout Panel
<b>+2PS</b>	Redundant power supply
<b>+BCP</b>	Blank front panel (removes local front control panel)

**Accessories:**

<b>X-1201H-PANEL</b>	Additional Remote Control Panel (works in addition to or in replacement of the local front control panel)
<b>X-1201ABO-BP</b>	Unbalanced AES Audio Breakout Panel with Bypass Relays
<b>X-1201ABOB-BP</b>	Balanced AES Audio Breakout Panel with Bypass Relays

