

# SCORPION-4

## Media Processing Platform — Standalone Frame

The SCORPION-4 Media Processing Platform is a standalone, compact form factor, multi-service signal conversion, aggregation gateway capable of simultaneously transporting video, audio and data services over Ethernet and fiber networks. Using SCORPION Mini I/O Modules, the SCORPION-4 is highly flexible and can accommodate a multitude of signals including 4K SDI, Ethernet, MAD1, AES, HDMI, intercom and serial data. The SCORPION-4 features encapsulation and de-encapsulation to IP over dual 10GbE or 25GbE trunk ports.

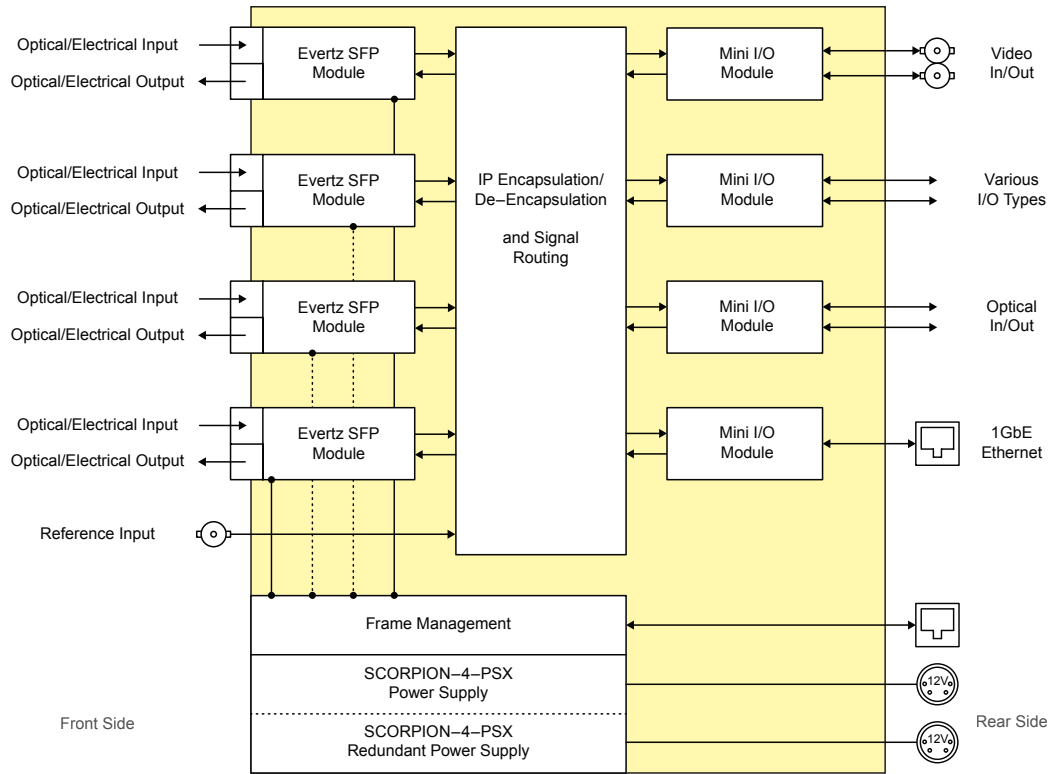
When combined with other compatible IP gateways including the 1RU SCORPION-X18, the SCORPION-4 becomes part of an integrated, scalable transport network, enabling the sharing of content from different sites using different transport media.

The SCORPION-4 possesses a small fanless form factor, and is designed to be operated in portable and/or low noise environments. SCORPION-4 is ideal for mobile and live sports production applications.



### ► Features & Benefits

- High density and fully modular in a standalone form factor
- All-in-one platform to handle video, audio, data transport needs
- IP encapsulation/de-encapsulation supporting SMPTE ST 2022-6 and SMPTE ST 2110
- 10/25GbE IP network support
- Up to 4x single-slot or 2x dual-slot mini I/O modules fit the standalone frame
- Up to 4x SFP ports for Ethernet or fiber IP connectivity
- Supports MSA SFP transceivers
- Diverse signal types such as 12G/6G/3G/HD/ASI, Ethernet, serial data, HDMI, USB and Intercom (mini I/O module-dependent)
- Main and redundant power supplies
- Onboard signal integrity and link analysis
- Multiple control options including SNMP, web access, panels and MAGNUM
- Fanless operation with integrated heat sink for power dissipation



The Complete Solution Provider



### ► Specifications

<b>System</b>		<b>Electrical Inputs/Outputs</b>		<b>Electrical</b>	
Density:	4x SFP's 4x SCORPION mini I/O modules	Connector:	Dependant on SCORPION mini I/O module (see appropriate specifications)	Power Supply Configuration:	Dual external supplies (primary/secondary)
Impedance:	Dependant on SCORPION mini I/O module (see appropriate specifications)	Impedance:	Dependant on SCORPION mini I/O module (see appropriate specifications)	Voltage:	DC input 12V DC (external power supplies require 110–220V AC, 50/60Hz)
Connector:	Dependant on SCORPION mini I/O module (see appropriate specifications)	<b>Reference</b>		Power Consumption:	25W empty, 132W fully loaded
<b>Communication and Control</b>		Number of Inputs:	1	Connectors:	12V DC, auto-ranging 100–240V AC 50/60Hz adapter included
Ethernet:	SNMP over IEEE 802.3/U (10/100/1000 BaseTx) RJ-45 connector	Connector:	BNC IEC 61169.8 Annex A	Status Indicators:	LED on unit
Control:	SNMP, web access, direct control and control panels	Reference Inputs:	Analog 625 or 525, Tri-Level HD	<b>Compliance</b>	
		Impedance:	75Ω	Safety:	CSA listed, complies with EU Safety Directive
		<b>Physical</b>		EMC:	Complies with FCC part 15, Class A Complies with EU EMC Directives
		Dimensions:	2.5"H x 8.5"W x 6"D		
		Module Capacity:	4x Evertz SFP modules, 4x SCORPION mini I/O modules		
		Operating Temp.:	0–50 °C		

### ► Ordering Information

**SCORPION-4** Media Processing Platform — Standalone Frame

#### Ordering Options:

- SCORPION-4-PSX** External power supply for SCORPION-4
- SCORPION-4-RP1** Single SCORPION-4 19" rack mount kit (2RU)
- SCORPION-4-RP2** Dual SCORPION-4 19" rack mount kit (2RU)

### ► Available Mini I/O Modules \* See SCORPION Mini I/O Modules specification document for more details.

<b>MIO-VB-2-12G</b>	12G/6G/3G/HD/SD/ASI video access module	<b>MIO-USB-B</b>	USB-B HID interface
<b>MIO-GE-RJ45-IP</b>	1GbE Ethernet access module with onboard processing	<b>MIO-HDMI-IN-3G</b>	HDMI input access module
<b>MIO-AES-IP</b>	Dual AES67 encapsulator and de-encapsulator	<b>MIO-HDMI-OUT-3G</b>	HDMI output access module
<b>MIO-AES-IN4-IP</b>	Quad AES67 encapsulator	<b>MIO-HDMI-IN-4K</b>	4K SDI or HDMI input module, dual slot
<b>MIO-AES-OUT4-IP</b>	Quad AES67 de-encapsulator	<b>MIO-HDMI-OUT-4K</b>	4K SDI or HDMI output module, dual slot
<b>MIO-AES-D4</b>	AES audio de-embedder module	<b>MIO-HDMI-IN1-4K-IP</b>	HDMI input module with onboard processing, dual slot
<b>MIO-MADI-2-IP</b>	Single MADI encapsulator and de-encapsulator	<b>MIO-HDMI-OUT1-4K-IP</b>	HDMI output module with onboard processing, dual slot
<b>MIO-DANTE-64</b>	Dante® to TDM bridge module	<b>MIO-HDMI-2-4K-IP</b>	HDMI microservice module
<b>MIO-IT-IP</b>	Intercom transceiver module (2x analog audio in/out, 2x serial data, 4x GPIO), dual slot	<b>MIO-BLADE-Z21</b>	Microservice module
<b>MIO-AVT</b>	Analog video/Black Burst transmit module with loop out	<b>MIO-DE4-3G</b>	3G/HD/SD-SDI SCTE/data/LTC/GPI embedding module
<b>MIO-AVR</b>	Analog video/Black Burst receive module	<b>MIO-DD4-3G</b>	3G/HD/SD-SDI SCTE/data/LTC/GPI de-embedding module
<b>MIO-USB-A</b>	USB-A HID interface		

### ► Recommended QSFP/SFP Modules \* See SCORPION Compatible SFPs specification document for more details.

<b>SFPTR-13</b>	SFP optical non-relocked transceiver, 3Gb/s, 1310nm, SMF	<b>SFP3Txx/yy-2</b>	SFP dual optical non-relocked transmitter, 3Gb/s, CWDM, SMF
<b>SFPTR-13-R</b>	SFP optical relocked transceiver, 3Gb/s, 1310nm, SMF	<b>SFP3R-2</b>	SFP dual optical non-relocked receiver, 3Gb/s, standard sensitivity, SMF
<b>SFP3TR-13-12G</b>	SFP optical relocked transceiver, 12Gb/s, 1310nm, SMF	<b>SFPTR-RJ45-SGM-AV</b>	Single 10/100/1Gbps RJ-45 SFP module
<b>SFP12G-T13-2</b>	SFP optical relocked dual transmitter, 12Gb/s, 1310nm, SMF	<b>SFP25G-TR13</b>	SFP, 25Gb/s, SMF
<b>SFP12G-R-2</b>	SFP optical relocked dual receiver, 12Gb/s, 1310nm, SMF	<b>SFP10G-TR13-A</b>	SFP, 10Gb/s, SMF
<b>SFPTR-M-HDBNC-R</b>	SFP electrical relocked transceiver, 12Gb/s, HD-BNC		
<b>SFP3T13-2</b>	SFP dual optical non-relocked transmitter, 3Gb/s, 1310nm, SMF		
<b>SFP3T13-2-S</b>	SFP dual optical non-relocked transmitter, 3Gb/s, short haul 1310nm, SMF		