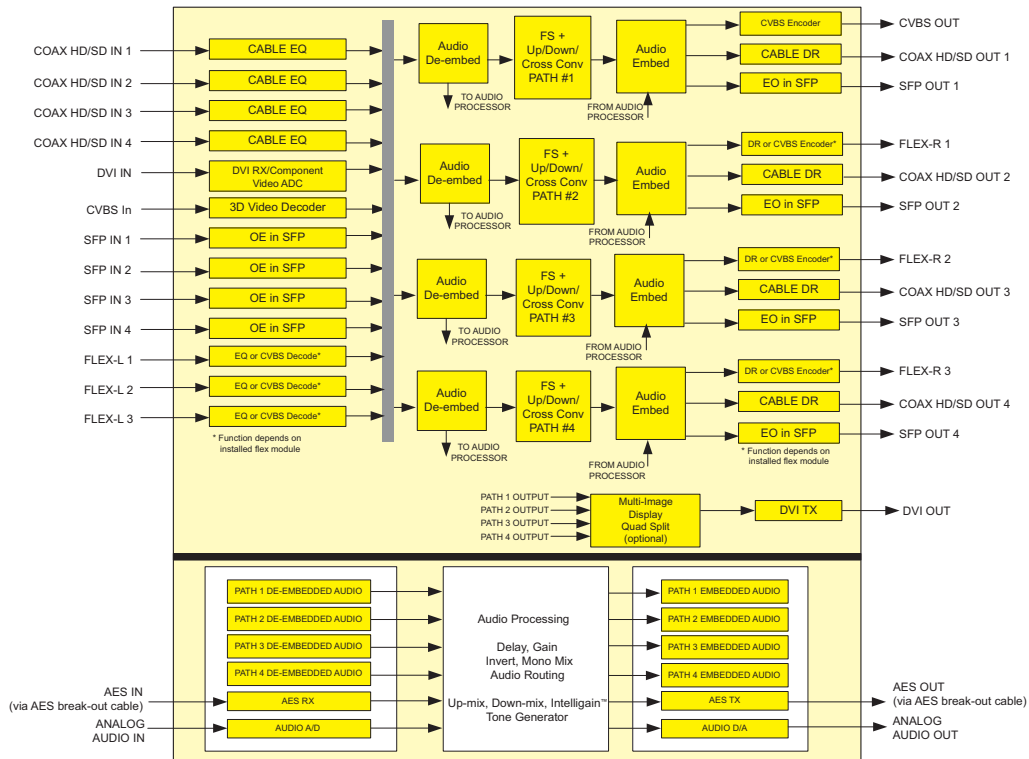


HD2014/3G, HD2012/3G, HD2011/3G Video PassPort™

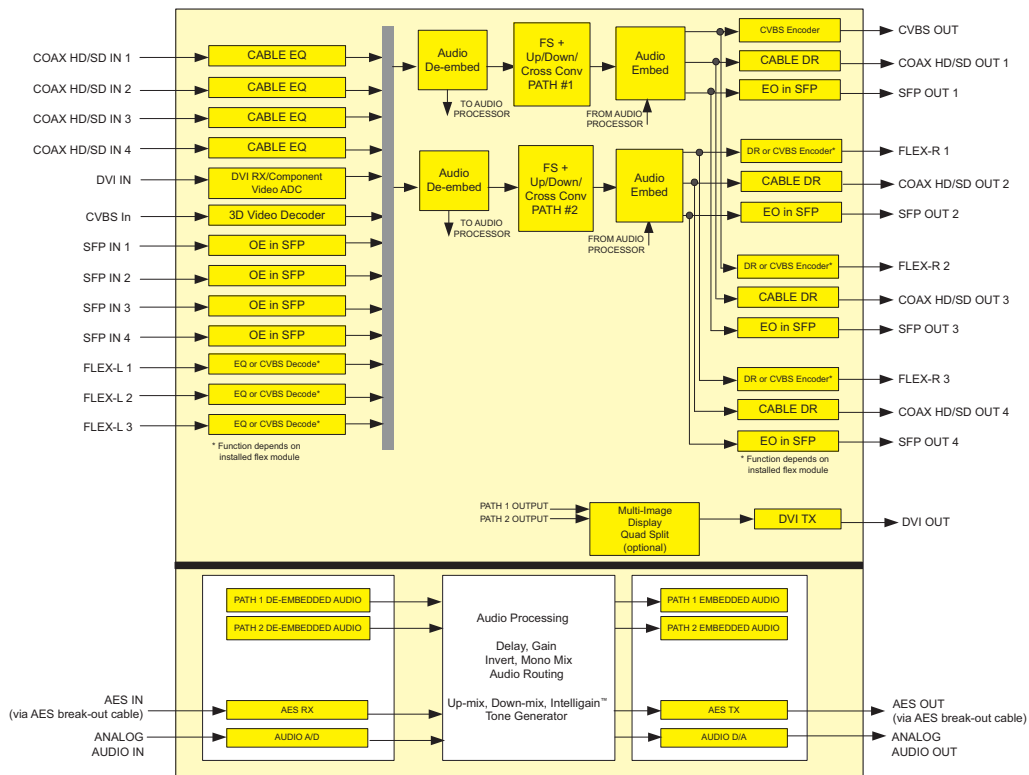
1RU Multi-Path Video Converter and Frame Synchronizer



▶HD2014 Block Diagram



▶HD2012 Block Diagram



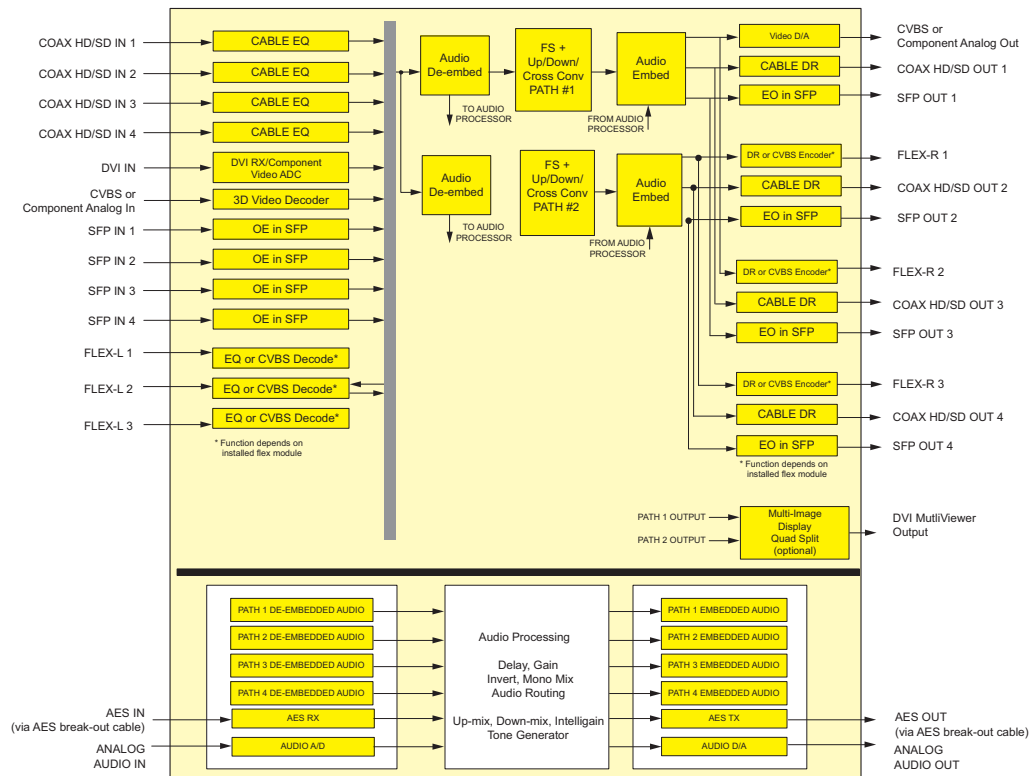
The Complete Solution Provider



HD2014/3G, HD2012/3G, HD2011/3G Video PassPort™ 1RU Multi-Path Video Converter and Frame Synchronizer



▶HD2011 Block Diagram



▶Specifications

<p>Coax Inputs: Number of Inputs: 4 Connector: BNC per IEC 61169-8 Annex A Input Equalization: 300m @ 270Mb/s with Belden 1694A or equivalent 100m @ 1.5Gb/s with Belden 1694A or equivalent</p> <p>Return Loss: >15dB to 1.5GHz Data Rate: Auto-sensing SD/HD/3G Formats: 525i/59.94, 625i/50, 720p/59.94, 720p/50, 1080i/59.94, 1080i/50</p> <p>Fiber Inputs: Number of Inputs: 4 Connector: LC Form Factor: Dual Optical SFP Receiver Wavelength: 1260-1620nm Data Rate: Auto-sensing SD/HD/3G Formats: 525i/59.94, 625i/50, 720p/59.94, 720p/50, 1080i/59.94, 1080i/50</p> <p>DVI and Analog Video Inputs: Number of Inputs: 1 Connector: DVI-I (female) Breakout Cable: DVI-I to DVI-D and 5x RGBHV BNCs</p> <p>Standards: DVI-D: 1080p/720p @ 59.94Hz (no HDCP) DVI-D: 1080p/720p @ 50Hz (no HDCP) CVBS: NTSC on G channel CVBS: PAL on G channel</p> <p>Analog Audio Inputs: Number of Inputs: 4 Type: Mono signals, balanced analog audio Connector: Removable terminal strip Input Impedance: 10KΩ minimum (differential) Sampling Freq: Analog signal sampled at 48kHz Signal Level: 0dBFS = 19dBu/25dBu software selectable Freq Response: ±0.5dB (20Hz to 20kHz)</p>	<p>THD+N: >99dB (20Hz to 20kHz, -1dBFS) CMRR: >85dB @ 100Hz</p> <p>AES Audio Inputs: Number of Inputs: 8 Standard: SMPTE ST 276, synchronous or asynchronous Connector: DB15 Input Type: Unbalanced Impedance: 75Ω Signal Level: 1V p-p Sampling Rate: 48kHz Reference: Input and passive loop Type: NTSC bi-level sync PAL colour-bi-level sync</p> <p>Connector: BNC per IEC 61169-8 Annex A</p> <p>GPIO: Number of Inputs: 8 (configurable as inputs or outputs) Type: Opto-isolated, active low with internal pull-ups to +5V Connector: Removable terminal block Signal Level: Closure to ground Function: Virtual front panel button push Tally of front panel button push</p> <p>Coax Outputs: Number of Outputs: 4 Connector: BNC per IEC 61169-8 Annex A Signal Level: 800mV nominal DC Offset: 0V ±0.5V Rise/Fall Time: 200ps nominal Overshoot: <10% of amplitude Return Loss: >15dB to 1.5GHz Wide Band Jitter: <0.20 UI Formats: 525i/59.94, 625i/50, 720p/59.94, 720p/50, 1080i/59.94, 1080i/50</p> <p>Fiber Outputs: Number of Outputs: 4 Connector: LC</p>	<p>Form Factor: Dual Optical SFP Receiver Wavelength: 1310nm Data Rate: SD and HD (270Mb/s and 1.5Gb/s) Formats: 525i/59.94, 625i/50, 720p/59.94, 720p/50, 1080i/59.94, 1080i/50</p> <p>DVI and Analog Video Outputs: Number of Outputs: 1 Connector: DVI-I (female) Breakout Cables: DVI-I to DVI/RGBHV cable, DVI "Y Cable" break out cable</p> <p>Standards: DVI-D Out A: 1080p/720p @ 59.94Hz (no HDCP) DVI-D Out A: 1080p/720p @ 50Hz (no HDCP) DVI-D Out B: 1680x1050 out when running 1080i DVI-D Out B: 1920x1080p out when running 720p DVI-D Out B: 1440x900 out when running 525i CVBS: NTSC on G channel CVBS: PAL on G channel</p> <p>Analog Audio Outputs: Number of Outputs: 8 Type: Mono signals, balanced analog audio Connector: Removable terminal strip Output Impedance: 60Ω max Output Loads: Hi Z Peak Conv Level: 0dBFS = 18dBu/24dBu software selectable Sampling Freq: 48kHz Freq Response: ±0.1dB (20Hz to 20kHz) THD+N: >80dB (20Hz to 20kHz, -1dBFS)</p> <p>AES Audio Outputs: Number of Outputs: 8 Standard: SMPTE ST 276 Connector: DB15 Output Type: Unbalanced Impedance: 75Ω Signal Level: 1V p-p Sampling Rate: 48kHz</p>
---	---	--

HD2014/3G, HD2012/3G, HD2011/3G Video PassPort™

1RU Multi-Path Video Converter and Frame Synchronizer



Ordering Information

HD2014	1RU Multi-Path Video Converter and Frame Synchronizer with Four-Path Processing
HD2012	1RU Multi-Path Video Converter and Frame Synchronizer with Two-Path Processing
HD2011	1RU Multi-Path Video Converter and Frame Synchronizer with Dual Output Single-Path Processing
HD2014-3G	1RU Multi-Path Video Converter and Frame Synchronizer with Four-Path Processing
HD2012-3G	1RU Multi-Path Video Converter and Frame Synchronizer with Two-Path Processing
HD2011-3G	1RU Multi-Path Video Converter and Frame Synchronizer with Dual Output Single-Path Processing

Ordering Options:

+AA	Balanced Analog Audio I/O (4x in and 8x out)
+AA2	Balanced Analog Audio I/O (8x in and 4x out)
+2PS	Redundant AC Power Supply
+MVR	Internal Multi-Viewer (Quad Split)
+UMX	Stereo to 5.1 PCM Surround sound Up-mix
+DMX	5.1 to 2-Channel Stereo Down-mix
+IG	IntelliGain™ Audio Loudness Management
+FL-HIO	Triple Bi-directional HD/SD I/O Flex Module
+FL-CD3	Triple Composite Analog Video Input Flex Module
+FR-HIO	Triple Bi-directional HD/SD I/O Flex Module
+FR-CE3	Triple Composite Analog Video Output Flex Module
+2TX	1x Dual SFP Fiber Transmitter (two fiber outputs)
+4TX	2x Dual SFP Fiber Transmitter (four fiber outputs)
+2RX	1x Dual SFP Fiber Receiver (two fiber outputs)
+4RX	2x Dual SFP Fiber Receiver (four fiber outputs)

Accessories:

WPDVI-DVIBNC5	DVI to DVI/RGBHV breakout cable
WPDVI-DVI2	DVI "Y" breakout cable
WPAES8-BNCM-9W-6F	AES audio break out cable (8x unbalanced connectors, 1x DB15 connector) 1x cable required for AES inputs, 1x cable required for AES outputs

The Complete Solution Provider

