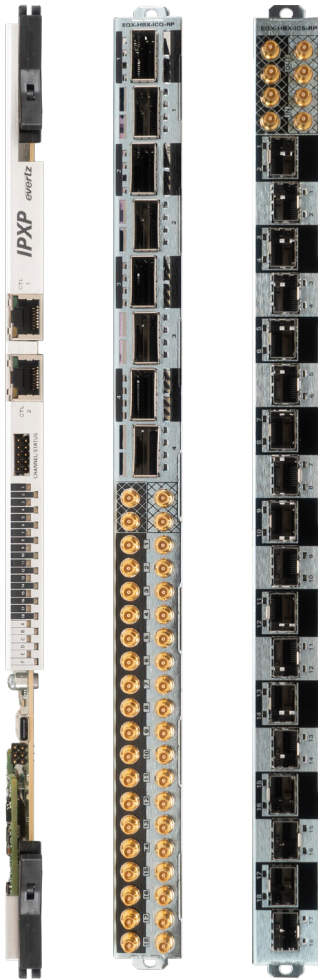


EQX-IP18AD (-F)

EQX 12G-Capable Input and 100G IP Gateway Module



Features & Benefits

- 18 SD/HD/3G/UHD/4K SDI support
- 16-channel audio de-embedders to TDM
- 100GbE interfaces
- SMPTE ST 2110 for both encapsulation and de-encapsulation
- SDI or IP selection on a per-channel basis
- IGMP and NMOS support
- Control is made simple using MAGNUM Unified Control System
- Fully compatible with all EQX frame models
- Full frame sync for all inputs
- Multi-rate support on a per-input basis
- Input expansion in increments of 18, from 18-576
- Access to all modules from front of the EQX
- All modules are hot-swappable
- Fan cooled by EQX-FAN-HF or EQX-FAN-HBX

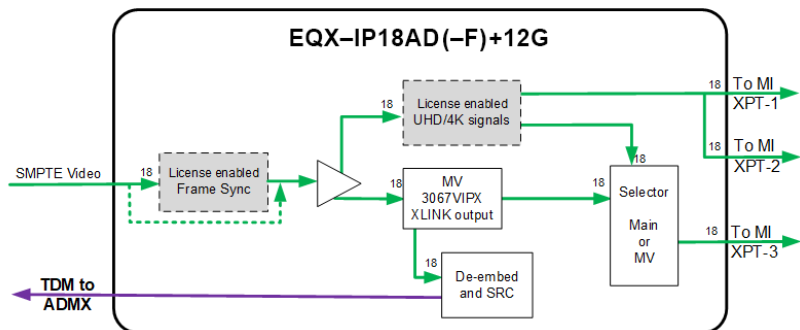
Next generation EQX input and output will support your existing 3G AVIP/AVOP processing workflows and prepare your new and existing EQX router for the future. Support for single-wire 12G-SDI, Video Over IP connection to Evertz and COTS IP cores using industry standards like SMPTE ST 2110 with ST 2022-7 support.

EQX-IP18AD is an 18-port input card with audio de-embedders and license keys to enable IP gateway functionality for 25/100GbE, 18x independent frame sync paths, UHD and additional other processing capabilities. The HD-BNC rear plate is included, QSFP modules for IP connections are sold separately.

EQX-IP18AD-F is an 18-port SMPTE fiber input card with audio de-embedders and license keys to enable 18x independent frame sync paths, UHD, and other additional processing capabilities. The SFP rear plate is included, SFPs for 12G-SDI connections are sold separately.

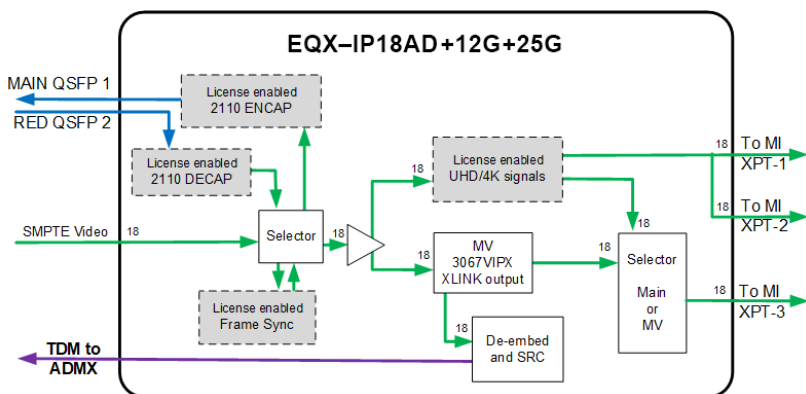
EQX-IP18AD (-F)

EQX 12G-Capable Input and 100G IP Gateway Module



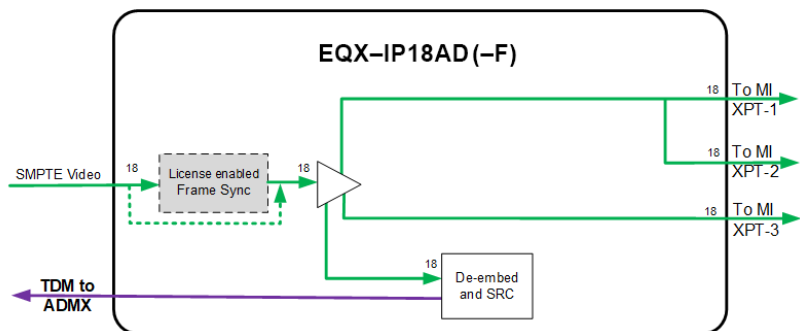
EQX-IP18AD(-F)+12G

- Frame sync for 18x signals up to 12G-SDI
- 288x channels of TDM audio (16 per video)
- Optional third XPT XLINK video for 3067VIP in EQX10 and EQX16 frames



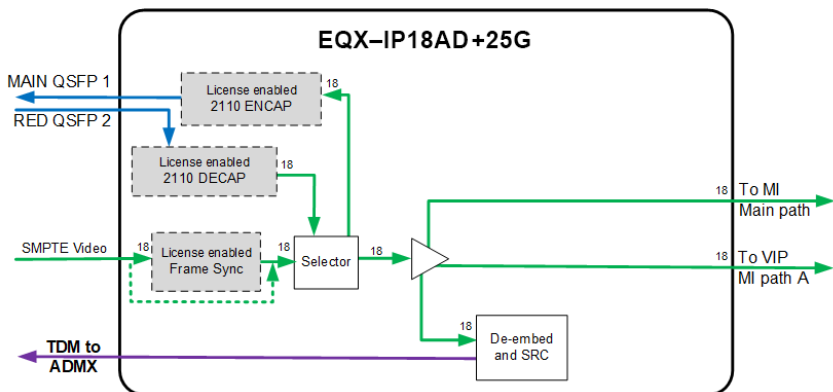
EQX-IP18AD+12G+25G

- Uncompressed IP signals (SMPTE ST 2110-20 with MPPM)
 - Encapsulation/de-encapsulation
 - 4x4 streams up to 12G video
 - 14x14 streams up to 3G video
- Frame sync 4x signals up to 12G-SDI and 14x signals up to 3G-SDI
- 288x channels of TDM audio (16 per video)
- Optional third XPT XLINK video for 3067VIP in EQX10 and EQX16 frames



EQX-IP18AD(-F)

- Frame sync 18x video paths up to 3G-SDI
- 288x channels of TDM audio (16 per video)



EQX-IP18AD+25G

- Uncompressed IP signals (SMPTE ST 2110-20 with MPPM)
 - Encapsulation/de-encapsulation
 - 18x18 streams up to 3G video
- Frame sync 18x video paths up to 3G-SDI
- 288x channels of TDM audio (16 per video)

EQX-IP18AD (-F)

EQX 12G-Capable Input and 100G IP Gateway Module



Specifications

Video Inputs:

Formats: SMPTE ST 259, 292-1,
ST 424, 425-1, 2048-2,
ST 2082-10 and 2110

Number of Inputs: 18

TDM Output:

Number of Outputs: 2
Audio Channels: 288
TDM Version Support:
2 & 3

Ethernet Interface:

Ethernet/IP Signaling:
Multicast IGMP v2/3,
NMOS
Connectors: 2x QSFP (one main,
one redundant)

Physical (Number of Slots):

EQX Frame: 1

Ordering Information

EQX-IP18AD

18 port input card with audio de-embbers and license keys to enable IP Gateway for 10 and 25GE, 18 independent frame sync paths and other additional processing capabilities. QSFP for IP connections are sold separate and HD-BNC rearplate is included.

EQX-IP18AD-F

18 port SMPTE fiber input card with audio de-embbers and license keys to enable 18 independent frame sync paths, UHD, and other additional processing capabilities. The SFP rear plate is included, SFP's are sold separately.

License Ordering Options:

+12G

Software licensing option to enable UHD over 3G paths inside the EQX-3G for EQX-IP18AD and EQX-OP18AE

+FSE18

Software Licensing option to enable Frame Sync and delay for the 18 inputs on the EQX-IP18-IPG

+25GE

Software licensing option to enable 25GE IP on the EQX-IP18AD and EQX-OP18AE

SFP Ordering Options:

SFP12G-T13-2

Dual 12G Fiber Transmitter SFP, 1310nm wavelength, LC Single Mode

SFP12G-R-2

Dual 12G Fiber Receiver SFP, LC Single Mode

Contact factory for additional options.

QSFP Ordering Options:

QSFP25G-SM-PSM4-LR-G-NFEC 100G QSFP, 4 channel 1310nm, MPO/APC connector, 10km

QSFP25G-MM-M 100G QSFP, 4 channel 850nm Multimode

Contact factory for additional options.