

AN9725LG

Analog Logo Inserter System



The AN9725LG Logo Inserter system is a complete analog logo insertion package that will key one, or many, static/animated "bugs" over a composite analog video signal. Logos created in BMP, TIF or TGA file formats can be imported into the Evertz® Overture™ software and transferred to the AN9725LG via Ethernet.

Logos are stored in flash memory and can be quickly accessed via front panel, quick select keys, GPI inputs, automation and Overture™. With the removable Compact Flash option you can access up to 4GB of online logo storage space and virtually unlimited archived media storage.

The AN9725LG has been designed to manage and store multiple logos. Each logo size is variable and ranges from 1/25th to full screen. The position of the logo, fade rates and animation rates are user-controllable. Up to 16 logos can be keyed simultaneously with independent fade control for each.

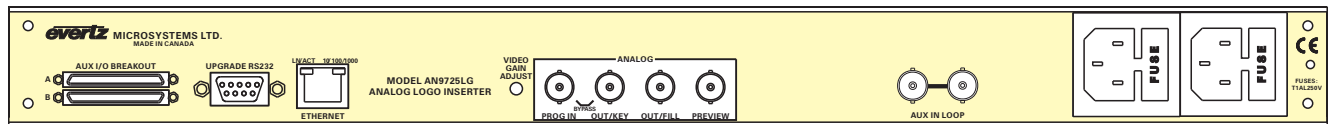
The onboard preview allows you to cue your logos for position and content verification prior to going "On Air".

The EAS crawl support allows for connection to an existing EAS decoder. This RS-232 connection allows weekly tests (white text on green), watch alerts (white on yellow) and warnings (white on red) to be scrolled across the analog video with no need for format conversion. The variable height text font can be positioned anywhere on the screen and rendered with any TrueType font.

The TXT option allows for the creation of custom text messages that can be displayed as crawls or fixed position fields on top of keyed graphic logos. These user-defined elements can be dynamically updated by Ethernet using the Overture™ software. Text crawls and fields retain display information such as background/foreground transparency, color, position and font while the dynamic text may be changed without recreating the associated logo graphics.

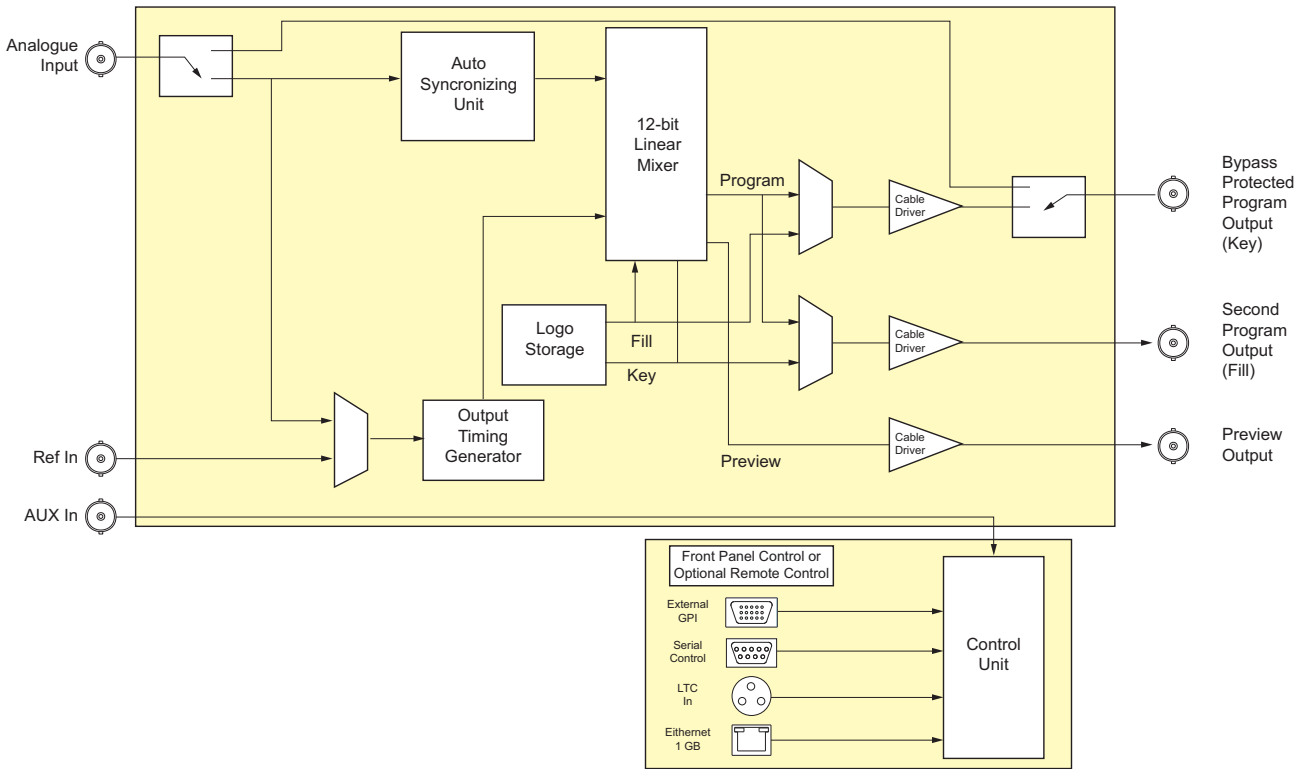
► Features & Benefits

- Multiple simultaneous logos can be keyed directly into composite analog video
- Stores and inserts static or animated logos
- Incorporates a linear keyer that provides various transparency levels to your logos
- Provides independent fade rates for each logo
- 32 programmable GPI contact closures
- 16 programmable GPO outputs
- Download media from a standard Windows PC running *overture*™
- EAS supports all new alert codes including child abduction emergency
- FTP file transfer and maintenance using *overture*™ software
- Fade all out capability provided on program video output
- Program output bypass relay protected
- Matches logo to input video $\pm 3\text{dB}$ range
- Can correct video levels $\pm 3\text{dB}$
- Standard 1GB flash storage with 2GB playout cache
- Multi-layer keying
- Preview/Program output modes
- Optional 2GB internal flash storage space
- Optional additional removable memory 2GB compact flash storage
- Optional rackmount or desktop remote control panels
- Optional EAS crawl support for Sage, TFT and DAS DEC Decoders
- Optional TXT for scrolling and dynamic text titling
- Optional redundant power supply
- Up to 2GB Playout memory options
- Up to 16 logos can be keyed simultaneously, with independent fade control for each logo
- Stores & inserts static or animated logos, incorporates a linear keyer providing various transparency levels to your logos
- The TXT option allows for the creation of custom text messages that can be displayed as crawl or fixed position fields on top of keyed graphic logos



The Complete Solution Provider





Specifications

<p>Composite Analog Video Input: Standard: SMPTE ST 170-1 (NTSC) ITU-R BT.470 (PAL-B)</p> <p>Number of Inputs: 1 Connector: BNC IEC 61169-8 Annex A Impedance: 75Ω Return Loss: > 40dB up to 4.2MHz</p> <p>Composite Analog Video Outputs: Standard: Same as Input Number of Outputs: 2 Program, 1 Preview Connector: BNC IEC 61169-8 Annex A Signal Level: 1V nominal Impedance: 75Ω DC Offset: 0V ±0.5V Return Loss: > 40dB up to 4.2MHz Frequency Response: < 0.1dB to 5.5MHz for Program Differential Gain: 0.25% p-p Differential Phase: 0.22° p-p SNR: >65dB (black video, 100kHz-5.0MHz)</p> <p>LTC Reader: Standard: SMPTE ST 12-1 Frame Rate: 25 and 30 Fps nominal Connectors: 3-pin female XLR type connector</p>	<p>Level: 0.2 to 4V p-p, balanced or unbalanced</p> <p>Control: Upgrade 232 Port: 9-pin female "D", RS-232 57600 baud, 8 bits, no parity firmware upgrade Remote Panel Port: 9-pin female "D", RS-422 9600 baud, 8 bits, no parity. Remote control panel interface (only available on RCP or DCP versions) Serial Control Port (3 standard; additional 4 optional): 9-pin female "D", RS-232/RS-422 8 bits, no parity, baud rate depends on protocol Selectable protocols: Automation, EAS interface, temperature probe interface Media Transfers: RJ-45 1000 Base T Ethernet, TCP/IP</p> <p>General Purpose Inputs and Outputs: Number of Inputs: 16 (standard) additional 16 (optional) Number of Outputs: 8 (standard) additional 8 (optional) Type: Opto-isolated, active low Connector: Terminal block on breakout panel</p>	<p>Physical: Dimensions: Electronics: 19" W x 1.75" H x 18.75" D (483mm W x 45mm H x 477mm D) Rack Mount Control Panel: 19" W x 1.75" H x 4.25" D (483mm W x 45mm H x 110mm D) Desktop Control Panel: 7.75" W x 2.0" H x 6.5" D (197mm W x 50mm H x 160mm D)</p> <p>Electrical: Power: Electronics: Auto-ranging 100-240V AC 50/60Hz, 60V A Optional Remote Control Panel: 12V DC 9W Auto-ranging 100-240V AC 50/60Hz power adapter provided Safety: TÜV listed Complies with EU safety directive EMI/RFI: Complies with FCC Part 15 Class A, EU EMC Directive</p>
---	---	--

Ordering Information

AN9725LG	Analog Logo Inserter System	Accessories: +CF4G	External Compact Flash Expansion to 4GB (includes front panel compact flash drive)
+DCP	Desktop remote control panel (replaces front panel control)	9700BHP-AUX	Second breakout bulkhead panel for additional GPI/O serial communication ports
+RCP	Rack mount remote control panel (replaces front panel control)		
+2PS	Redundant power supply		
+TXT	Texting features (includes crawls and text teasers)		
+TP	Air temperature probe		
+E	EAS crawl insertion (North America only)		
+IF4G	Internal Compact Flash memory expansion to 4GB		