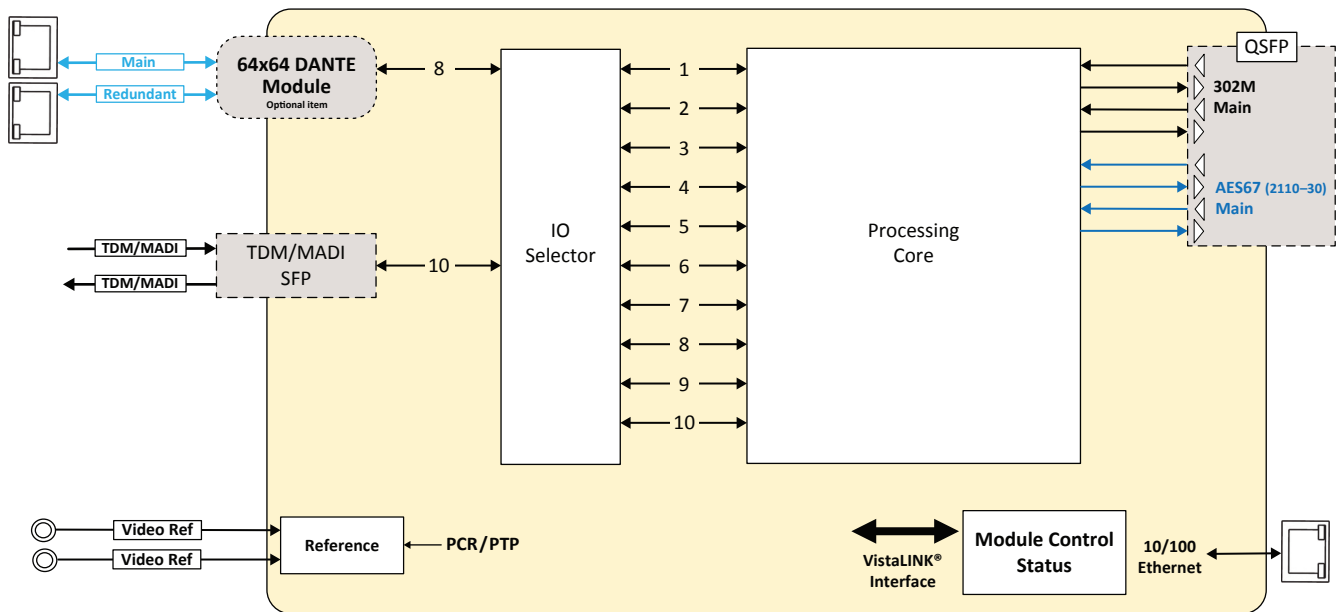
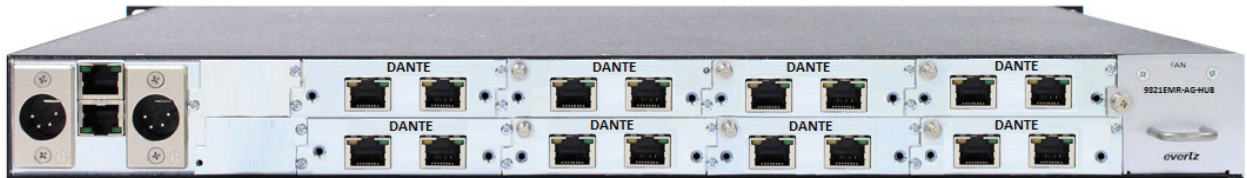


9821EMR-AG-HUB

EMR Audio Gateway

The 9821EMR-AG-HUB is a 1RU platform that is optimized for operation in 10GbE and 25GbE IP SDVN environments, supporting SMPTE ST 302M, AES67*, TDM, MADI and Dante® (up to 512x512 channels of Dante®). With TDM connections it can externally support AA, AES, EQX embedded audio, HYDRA2 and ALINK.

The 9821EMR-AG-HUB provides a gateway to link IP infrastructures with discrete audio IO directly and by using any of the existing Evertz TDM enabled Audio interfaces. It has a number of functional use cases including translating between AoIP standards including SMPTE ST 302M, AES67* and Dante®, for audio bridging between devices supporting SMPTE ST 302M or AES67* to a common core IP audio format. AES67 to AES67 for profile grooming*. Bulk audio connection between audio systems such as connecting multiple mobile broadcast vehicles that are using EMR audio router modules.



► Features & Benefits

- High density 1RU form factor
- Audio gateway of external TDM signals into IP
- QSFP trunk ports for SMPTE ST 302, AES67* and MAGNUM in-band control
- 640 multicasts per IP port
- AoIP conversion between Dante® / SMPTE ST 302 / AES67* (2110-30)
- Profile grooming* ie. AES67* to AES67*
- Supports SMPTE ST 2110-30 Level A & B
- TDM or MADI ports, max 10x in and 10x out
 - 512 channels per TDM
 - 64 channels per MADI
- Purchasable options for Dante® modules (8x max per frame)
- VistaLINK® capable for remote monitoring and configuration via SNMP
- Local web configuration page
- Main and redundant power modules and supply

► Specifications

<p>TDM Audio I/O: Connectors Type: Front-facing SFP ports Maximum Audio Channels per TDM: 512</p> <p>MADI Audio I/O: Connectors Type: Front-facing SFP ports Maximum Audio Channels per MADI: 64</p> <p>Rear mini Module: Connector Type: Dependent on Evertz I/O Mini Module (see below for details)</p> <p>Ethernet Interface: Connectors: QSFP Standards: SMPTE ST 302M / AES67* SMPTE ST 2110-30 Level A & B</p> <p>Control: In-band: Via MAGNUM</p>	<p>Reference: Input: Analog 525 or 625 Connector Type: BNC IEC 61169.8 Annex A (for other options contact factory)</p> <p>Electrical: Voltage: +12V DC</p> <p>Temperature: Min/Max: 0-40°C</p> <p>Physical: Height: 1RU, 44mm (1.75" nom.) Width: 19" rack mount Depth: 13.875" (352mm) excluding connectors</p> <p>Electrical: Power Supply Config: Dual External Supplies (primary/secondary)</p>	<p>Voltage: DC Input 48V DC (external power supplies requires 110-220V AC, 50/60Hz)</p> <p>Maximum Power: 280W</p> <p>Connectors: 4-pin male XLR</p> <p>Status Indicators: PS status LEDs (each per power supply tray)</p> <p>Compliance: Safety: CSA listed, complies with EU Safety Directive EMC: Complies with FCC part 15, Class A Complies with EU EMC Directives</p> <p>External Power Supply Brick: AC Mains Input: Auto-ranging, 100-240V AC, 0/60Hz Output Voltage: 48V DC Output Connector: 4-pin XLR Max Power Dissipation: 280W Status Indicators: Green OK LED</p>
---	--	--

► Ordering Information

9821EMR-AG-HUB SMPTE ST 302M/AES67 Audio Gateway with TDM v2 and MADI

Available I/O Mini Modules:
9821EMR-IO-DANTE-64

64x64 Dante® module with main and redundant Ethernet connections

QSFP Options:

QSFP-10G-TR13-G QSFP 4x 10GbE, 1310nm with MTP connector
CBL-MTP-LC8-5M MTP to LC adapter cable

TDM/MADI SFP Options:

SFPTR-DIN-3G SFP coaxial transceiver for signals up to 3G, mini DIN connectors
SFPTR-13 SFP transceiver, 1310nm, standard sensitivity, supports rates up to 3G