

9000DWDM

DWDM 1RU Optical Mux / Demux



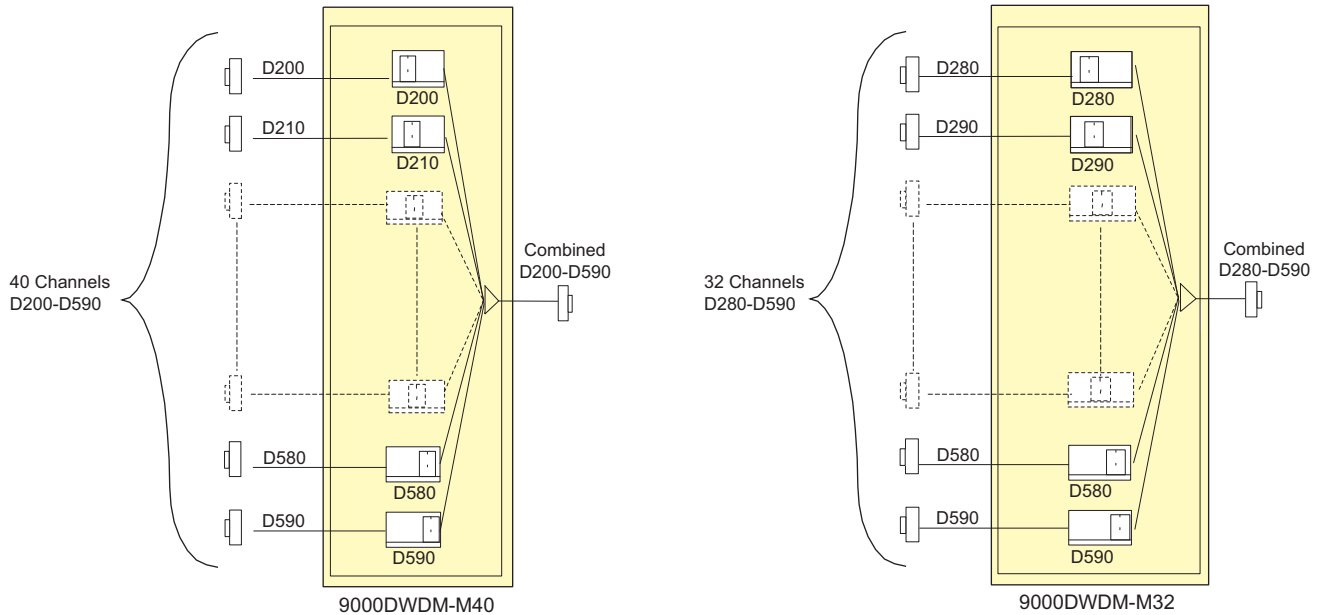
Features & Benefits

- Bi-directional mux/demux of 32 or 40 wavelengths in the C-Band DWDM spectrum (ITU-T G.694.1 compliant)
- 0.8nm (100GHz) channel spacing
- Passive design for any bit rate
- Low insertion loss to conserve system power
- High optical isolation for low crosstalk
- SC/PC, ST/PC, FC/PC connector options

Applications

- Multi-channel transport of video, audio, data, control in fiber limited applications
- Cost reduction exercises through fewer leased fibers
- Studio and Facility extension/expansion
- L-Band & IF Link transport
- STL and TSL Links
- Signal aggregation for outdoor and event coverage
- Signal aggregation for security and monitoring

*9000DWDM to be used ONLY in Single Mode Fiber applications



Specifications

Optical Input/Output:	Fiber Size:	9µm core/125µm overall	Physical:
Connector: SC/PC, ST/PC or FC/PC	Return Loss:	> 45dB	Dimensions:
Wavelength:	Max Optical Power:	< 300mW (+25dBm)	19"W x 1.75"H x 18.75"D (483mm W x 45mm H x 477mm D)
9000DWDM-32: ITU C28-C59 (1554.94-1530.33nm)	Link Loss with Mux and Demux Combination:		Weight:
9000DWDM-40: ITU C20-C59 (1561.42-1530.33nm)	9000DWDM-M32 & 9000DWDM-D32:		8lbs (3.5kg)
Channel Spacing: 0.8nm (100GHz)	< 8dB Maximum Loss		
Passband @ 0.5dB: ±0.11nm	9000DWDM-M40 & 9000DWDM-D40:		
Channel Uniformity: < 1.5dB	< 10dB Maximum Loss		
Isolation			
Adjacent Channel: > 25dB			
Non-Adjacent Channel: > 40dB			
Directivity: > 40dB			

Ordering Information

9000DWDM-M32	32 Ch DWDM Mux, 100GHz Spacing, ITU Channels C28 to C59, 1RU
9000DWDM-D32	32 Ch DWDM De-Mux, 100GHz Spacing, ITU Channels C28 to C59, 1RU
9000DWDM-M40	40 Ch DWDM Mux, 100GHz Spacing, ITU Channels C20 to C59, 1RU
9000DWDM-D40	40 Ch DWDM De-Mux, 100GHz Spacing, ITU Channels C20 to C59, 1RU

Connector Suffix

+SC	SC/PC
+ST32	ST/PC Fiber connectors on all ports for 9000DWDM-X32
+ST40	ST/PC Fiber connectors on all ports for 9000DWDM-X40
+FC32	FC/PC Fiber connectors on all ports for 9000DWDM-X32
+FC40	FC/PC Fiber connectors on all ports for 9000DWDM-X40

Accessories

Fiber Optic Patch Cable

See CWDM & DWDM Ordering Information Page
Consult Evertz® for angle polish and additional ITU channel options

Ordering Options Fiber Connector must be specified at time of order
(Eg: Model +SC)

*For APC connectors please order with -AP suffix