

7890ES-OCx-2

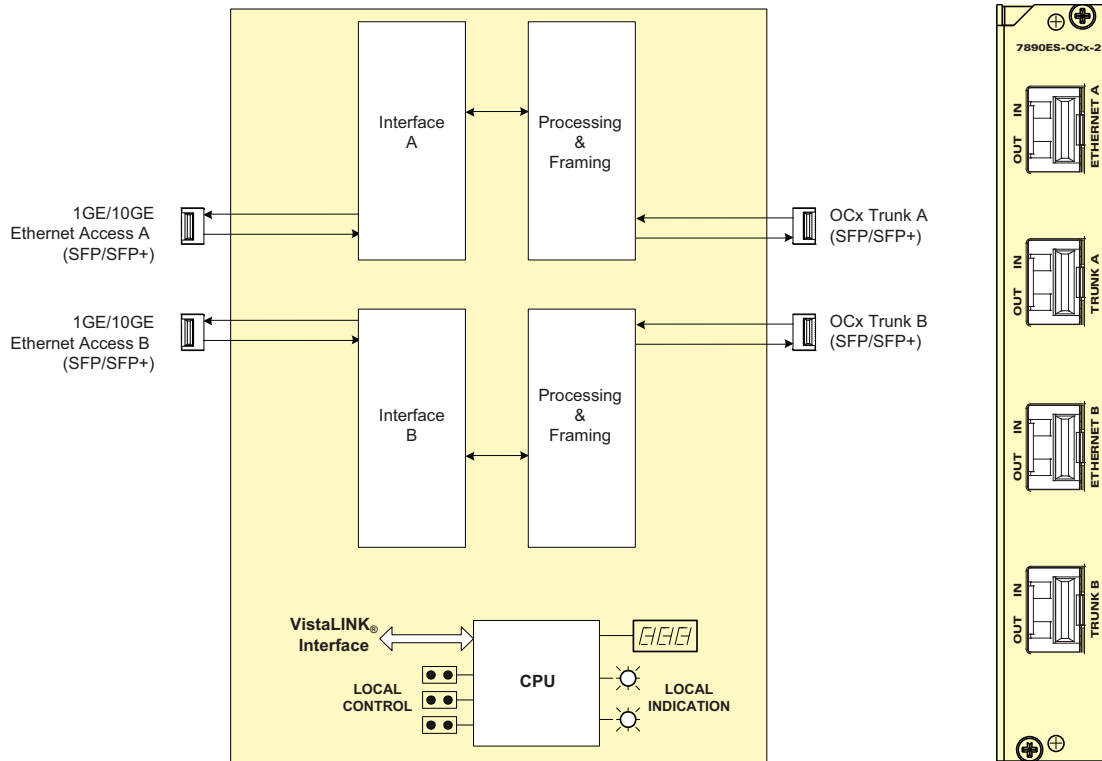
1GE/10GE Over Dual SONET/SDH Trunks

The 7890ES-OCx-2 is part of the Evertz family of gateway products, which unlock the potential of IP networks for signal transport. The proliferation of carrier-grade IP networks and their associated capacity, flexibility and cost make them an attractive solution for modern video transport networks. Evertz gateway products facilitate the bridge between video SONET/STM and IP worlds, providing the extensive capability, control & monitoring, resilience and low latency demanded by content creators and transport service providers.

The 7890ES-OCx-2 is a dual SONET/SDH gateway that is used to add resiliency to traditional ethernet over fiber links. It facilitates IP transport over traditional fiber optic SONET/SDH networks. The 7890ES-OCx-2 will pass a total of two 1GE or 10GE connections over 2 SONET/SDH fiber paths.

► Features & Benefits

- Facilitates Ethernet connectivity over SONET/SDH Links
- SFP/SFP+ for 1/10 Gig Ethernet Access ports allow up to two ethernet connections for transport
- Ethernet Access ports provide a combined maximum of 1Gb/s or 10Gb/s throughout with per-port user settable bandwidth limiting on the OCx/STMx trunk
- RJ45 or Fiber SFP/SFP+ ports can be populated on the Ethernet Trunk Link, allowing copper or fiber connection
- Fully hot-swappable from the front of the frame without de-cabling
- Comprehensive signal and card status monitoring via four digit card edge display or remotely through SNMP and VistaLINK®
- VistaLINK® capability is available when modules are used with the 7700FC and 7800FC VistaLINK® Frame Controller module in slot 1 of the frame



► SFP+ Modules

SFP Model	Wavelength	Optical Output Power		Receiver Sensitivity	Nominal Received Wavelength	Max Distance	Fiber Type
		MAX	MIN				
SFP10G-TR85	850nm	-1dBm	-6.5dBm	-11dBm	850nm	300m*	Multimode
SFP10G-TR13	1310nm	+0.5dBm	-8.5dBm	-14dBm	1310nm	10km	Singlemode
SFP10G-TR15S	1550nm	+4dBm	-5dBm	-15dBm	1550nm	40km	Singlemode
SFP10G-TR15H	1550nm	+3dBm	0dBm	-24dBm	1550nm	70km	Singlemode
SFP10G-TRCxxH	CWDM	+3dBm	0dBm	-24dBm	1270-1610nm	70km	Singlemode
SFP10G-TRDxxH	DWDM	-1dBm	-1dBm	-24dBm	1535-1565nm	80km	Singlemode

* On 2000MHz/km MMF, consult Evertz for max distance on other multimode fiber types