

7882ENC-H264HD-IPASI

Professional Contribution H.264 and MPEG-2 Encoder

The 7882ENC-H264HD-IPASI has been designed to deliver “best in breed” video and audio compression technology to lead the contribution market space, offering the very best video quality, latency and bandwidth utilization.

This flexible architecture offers both MPEG-2 and H.264 (MPEG-4 Part 10) user configurable video compression at up to 10-Bit 4:2:2 resolution. Concurrently, with latencies as low as 215ms end to end, the 7882ENC becomes an ideal compression solution for low latency contribution requirements.

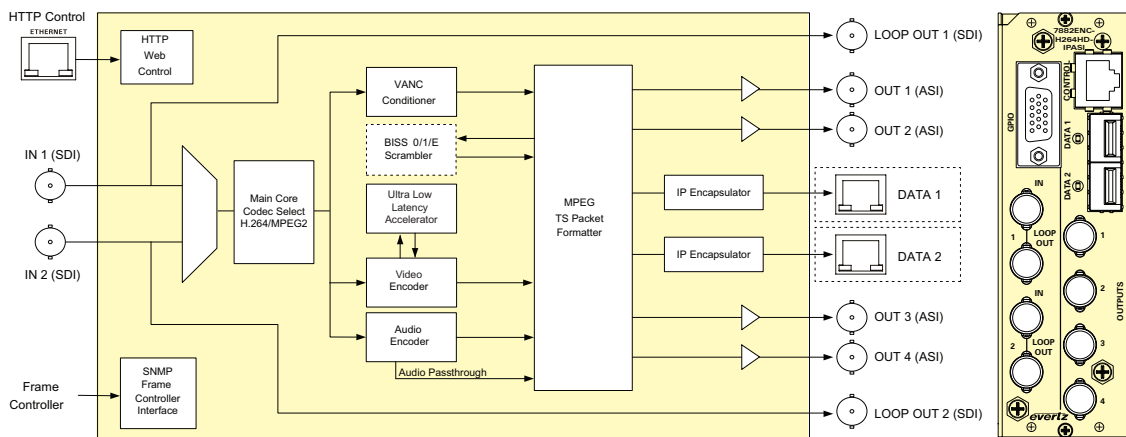
The 7882ENC supports audio encoding of up to 16 embedded channels using a wide variety of audio compression cores including, but not limited to, MPEG1L2, Dolby-E/AC-3, AAC and audio pass-through.

The 7882ENC includes a dedicated control port that offers a built-in web server for quick and easy configuration, including true SNMP control from the award winning VistaLINK NMS when paired with a frame controller. For those mission critical applications, the 7882ENC can be intelligently managed using the Evertz Compression Systems Manager (CSM) software which offers complete provisioning, monitoring and redundancy management of the contribution compression head end.

As a base model, the 7882ENC must be purchased with a choice of Channel Key to unlock a desired level of chroma encoding. The 7882ENC is fully feature upgradable in the field, allowing for a cost-effective migration up to a fully optional platform capable of 422 10b with ASI and IP out. The 7882ENC offers the best performance and versatility available from a world class contribution encoder.

► Features & Benefits

- 1x High quality H.264 or MPEG-2 encoder up to 4:2:2 10-bit
- 2x HD/SD-SDI inputs with loop out protection
- Support for multiple audio codecs including AAC and Dolby
- Fully integrated with the industry leading VistaLINK® PRO system
- Compact two slot design compatible within any Evertz 3RU chassis
- Control via 7800 Frame Controller and/or integrated HTTP interface



► Specifications

Video Specifications:	Audio Specifications:	Configuration & MGMT:
Number of Inputs/Outputs: BNC: 2x HD/SD-SDI Inputs 2x HD/SD-SDI Outputs 4x ASI Outputs	Number of Channels: 8x PIDs of audio processing across 16x Channels of Embedded PCM	Web Server: Integrated HTTP with full control SNMP: VistaLINK remote control and monitoring via Frame Controller
IP: 2x GbE Data Ports (Optional SFP) 1x GbE Control Port	Compression Formats: MPEG-1 Layer 2 Passthrough PCM Dolby Digital Dolby-E	Electrical: Input Voltage: Auto ranging 100 – 240VAC Power: <48W EMI/RFI: Complies with FCC regulations for class-A devices Complies with EU EMC directive
Standard: SMPTE 292M/259M 1.485Gb/s, 270Mb/s ASI per DVB TR 101 891 (Max 80Mb/s)	Optional: Dolby Digital AC-3 up to 3/2L Dolby Digital Plus Dolby-E Encode AAC (LC, HE, v1, v2)	Physical (number of slots): 7800FR: 2 7800FR-QT: 2 7801FR: 2 3700FR: 2
Video Resolution: 1920x1080 @ 25, 29.97 1280x720 @ 50, 59.94 720x576 @ 25Hz (ITU-R BT.656-4) 720x480 @ 29.97Hz (SMPTE 125M)	Ancillary Specifications: Embedding of: Audio Pass Through Closed Caption/Teletext AFD/WSS Timecode SMPTE 2038	
Ethernet Connector: RJ-45 auto-negotiation UDP/RTP FEC SMPTE-2022 (Optional) SPTS / MPTS		
Video Compression: MPEG-2 4:2:0 MPEG-2 4:2:2 8bit (Optional) H.264/MPEG-2 AVC 4:2:0 H.264/MPEG-2 AVC 4:2:2 8bit (Optional) H.264/MPEG-2 AVC 4:2:2 10bit (Optional)		
Profile/Level: MP@ML up to Hi422P@4.1		

► Ordering Information

7882ENC-H264HD-IPASI	Professional HD/SD-SDI H.264 and MPEG-2 Encoding Platform	Accessories:	
7882ENC-CK-3B422	Channel Key for H.264 or MPEG-2 8bit 4:2:2 Encoding	7800FC	3RU Multiframe Controller (necessary for 3RU SNMP control)
7882ENC-CK-10B422	Channel Key for H.264 10bit 4:2:2 Encoding	7801FC	1RU Multiframe Controller (necessary for 1RU SNMP control)
7882ENC-CK-H264HD	Channel Key for H.264 4:2:0 Encoding	VistaLINK® PRO	Network Management Software
7882ENC-FK-AC3E	Feature Key for Dolby Digital AC-3 Encoding up to 5.1 (3/2L)	VistaLINK® CSM	Compression System Manager
7882ENC-FK-DEE	Feature Key for Dolby-E Encoding	Enclosures:	
7882ENC-FK-AAACE	Feature Key for AAC LC and HE, v1, v2 Encoding	7800FR	3RU Multiframe which holds up to 7 modules
7882ENC-FK-FEC	Feature Key for Forward Error Correction per SMPTE-2022	7800FR-QT	3RU Multiframe which holds up to 7 modules
7882ENC-FK-EBISS	Feature Key for BISS 1/E Encryption	7801FR	1RU Multiframe which holds up to 2 modules
		3700FR	6RU ATP Multiframe which holds up to 7 modules

SFP Modules (sold separately):
SFPTR-RJ45-SGM-AV 1x 10/100/1000 Ethernet Copper RJ45 for IP Streaming Output