

# 7882DEC-H264HD-IPASI

## Professional H.264 and MPEG-2 Decoder



The 7882DEC-H264HD-IPASI is a professional high quality \*3G/HD/SD-SDI H.264/MPEG-2 decoder platform. It offers high end decoding support for both MPEG-2 and H.264/AVC optionally up to 4:2:2 10-bit.

The 7882DEC-H264HD-IPASI is perfect for monitoring applications or decoding for downstream baseband video and audio processing.

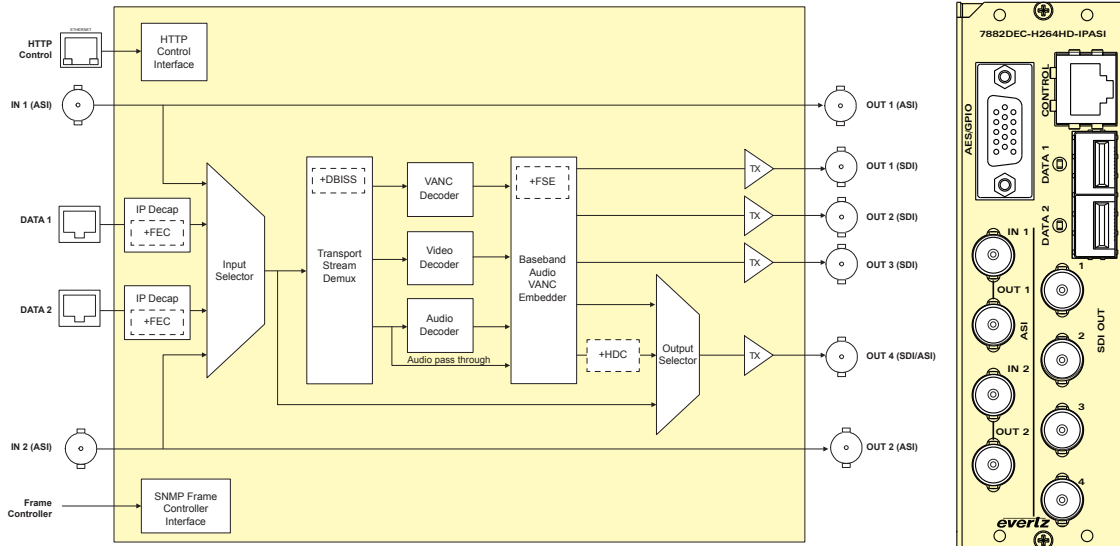
The 7882DEC-H264HD-IPASI can reconstruct in the most flexible way all VANC & HANC data in the baseband outputs.

The 7882DEC-H264HD-IPASI can be integrated in the Evertz® 7881IRD-H264HD-LB platform to create a highly flexible demodulating and decoding DVB-S/S2 satellite receiver.

### Features & Benefits

- 1x H.264/MPEG-2 Video Decoder up to 4:2:2 10-bit
- 2x ASI and IP inputs
- 4x \*3G/HD/SD-SDI outputs
- Selection of decoded service

- Baseband outputs with embedded audio and ancillary data
- Frame sync reference optional via frame distribution (+FSE)
- Fully integrated with the industry leading VistaLINK® PRO system
- Control via 7800 Frame Controller or integrated HTTP interface



### Specifications

#### Video Specifications:

Number of Inputs/Outputs:  
 BNC: 2x ASI Inputs  
 2x ASI Outputs  
 4x \*3G/HD/SD-SDI Outputs  
 IP: 2x GbE Data Ports (Optional SFP)  
 1x GbE Control Port  
 Standard: SMPTE \*425M/292M/259M  
 \*3Gb/s, 1.485Gb/s, 270Mb/s  
 ASI per DVB TR 101 891 (Max 213Mb/s)  
 Max Program BR - 80Mb/s  
 Max PIDs per Program - 50  
 Max Programs per TS - 50  
 Video Resolution: 1920x1080 @ 25, 29.97, 30, \*59.94, \*60Hz  
 1280x720 @ 50, 59.94, 60Hz  
 720x576 @ 25Hz (ITU-R BT.656-4)  
 720x480 @ 29.97Hz (SMPTE 125M)  
 Ethernet Connector: RJ45 auto-negotiation  
 UDP/RTP  
 FEC per SMPTE-2022 (Optional)  
 SPTS / MPTS  
 Video Decompression: H.264/MPEG-2 4:2:0  
 H.264/MPEG-2 4:2:2 8bit (Optional)  
 H.264 4:2:2 10bit (Optional)  
 Profile/Level: MP@ML up to H422P@4.1

#### Audio Specifications:

Number of Channels: 8x PIDs of audio processing across  
 16x Channels of Embedded PCM  
 Compression Formats: MPEG-1 Layer 2  
 Dolby Digital AC-3 up to 3/2L  
 Passthrough  
 PCM  
 Dolby Digital  
 Dolby-E  
 Optional: Dolby-E Decode  
 AAC-LC

#### Ancillary Specifications:

Embedding of: Audio Pass Through  
 Closed Caption/Teletext  
 SCTE35 to 104 (optional)  
 AFD/WSS  
 Timecode

#### High Quality Down Convert (+HDC)

Down Conversion: SMPTE 292 to SMPTE 259  
 Aspect Ratio: Fixed Scalar or Follow AFD

#### Configuration & MGMT:

Web Server: Integrated HTTP with full control  
 SNMP: VistaLINK remote control and monitoring via Frame Controller

#### Electrical:

Input Voltage: Auto ranging 100 – 240VAC  
 Power: <48W  
 EMI/RFI: Complies with FCC regulations for class-A devices  
 Complies with EU EMC directive

#### Physical (number of slots):

7800FR: 2  
 7800FR-QT: 2  
 7801FR: 2

*Options Available	
Without +3G	With +3G
+8B422	+8B422
+10B422	+10B422
+AAC	+AAC
+DD	+DD
+SCTE104	+SCTE104
+DBISS	n/a
+FEC	n/a
+FSE	n/a
+HDC	n/a

### Ordering Information

7882DEC-H264HD-IPASI HD/SD MPEG2 and H.264 Decoder

#### Ordering Options

+8B422 4:2:2 8-bit Chroma Decoding  
 +10B422 4:2:2 10-bit Chroma Decoding  
 +AAC AAC Audio Decoding  
 +DD Dolby-E 8 Channel Decoding  
 +SCTE104 SCTE 35/104 Translation Capability  
 +DBISS BISS 1/E Descrambling Capability  
 +FEC Forward Error Correction Capability  
 +FSE Frame Sync Reference Capability  
 +HDC High Quality Down Convert  
 +3G \*1080p59.94 Resolution Capability

#### SFP Modules (sold separately):

SFPTR-RJ45-SGM-AV 1x 10/100/1000 Ethernet Copper RJ45 for IP Streaming

#### Accessories

7800FC 3RU Multiframe Controller (necessary for 3RU SNMP control)  
 7801FC 1RU Multiframe Controller (necessary for 1RU SNMP control)  
 VistaLINK® PRO Network Management Software  
 VistaLINK® CSM Compression System Manager

#### Enclosures

7800FR 3RU Multiframe which holds up to 7 modules  
 7800FR-QT 3RU Multiframe which holds up to 7 modules  
 7801FR 1RU Multiframe which holds up to 2 modules

