

The 7881DEC-MP2-HD is a professional high quality HD/SD MPEG2 decoder card. It offers high end HD and SD MPEG-2 decoding of encoded streams.

The 7881DEC-MP2-HD can reconstruct in the most flexible way all VANC & HANC data in the HD/SDI output.

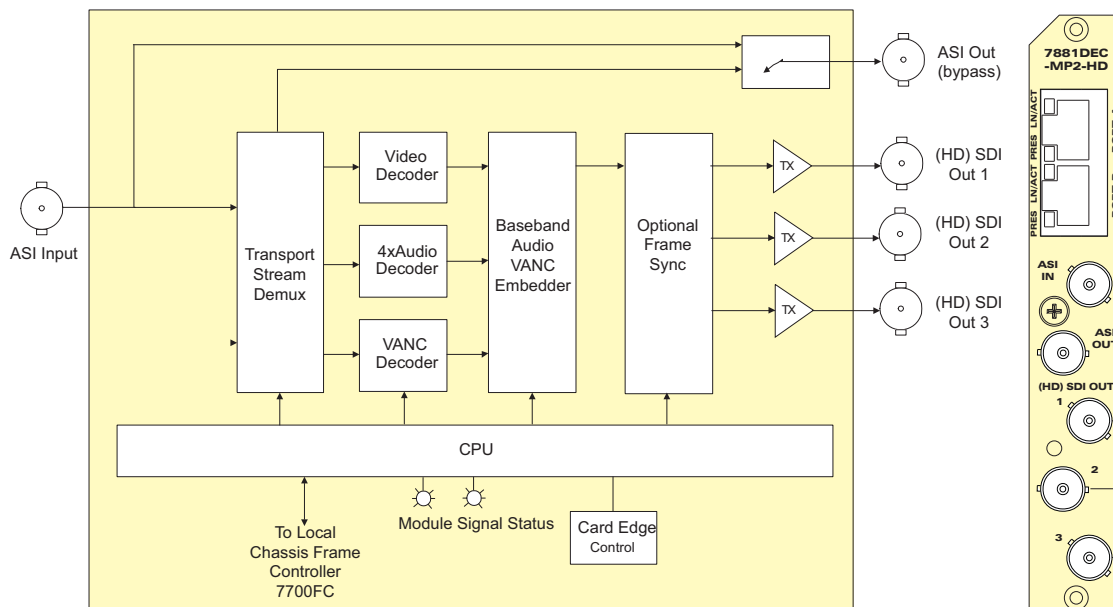
The 7881DEC-MP2-HD is perfect for monitoring applications or decoding for downstream baseband video and audio processing.

The 7881DEC-MP2-HD can be coupled with Evertz RF front end (7780DM2-LB DVB-S2 demodulator) and Evertz downstream video and audio processing equipment to create a complete versatile integrated receiver/decoder.



### Features & Benefits

- 1x HD/SD MPEG-2 or optional H.264 (MPEG-4) 4:2:0 Video Decoder
- 1x ASI inputs
- Selection of decoded service
- HD/SDI with embedded audio and ancillary data
- Fully integrated with the industry leading VistaLINK® PRO system
- Control via 7700FC Frame Controller



### Specifications

#### Inputs and outputs:

- 1 ASI Input per DVB TR 101 891-270Mb/s Maximum Bitrate 120Mb/s
- 3 x SD/HD outputs
  - SDI outputs 270Mb/s SMPTE ST 259-1
  - HD SDI outputs 1.485Gb/s SMPTE ST 292-1

#### IP Input (+IP-FEC):

- Requires additional slot
- De-encapsulation of MPEG-2TS packets following: MAC 802.3>IPV4>(RTP)>UDP>MPEG
- Accept 1 to 7 MPEG packets per IP frame
- Join Multicast and Unicast streams
- Selection of the UDP ports

#### Frame sync (+FSE):

- 7800 Frame reference input
- Sync 1080i/59.94, 1080i/50, 720p/59.94, 720p/50, 525i/59.94, 625i/50
- Video Delay between 3 lines & 1 frame + 3 Lines
- Programmable output phase with respect reference input
- Support PCM, AC3, Dolby E Audio

#### Audio processing:

- 4 x PIDs of audio processing
- 4 x MPEG-1 layer 2 audio decoding
- 4 x AC-3 audio decode
- 4 x AC-3, Dolby E® pass through
- 1 x DolbyE® decode (optional)
- 4 x AAC Audio decode (optional)

#### Decoding Specifications:

- Video:
- SD Standard Supported:
    - MPEG-2 Main Profile @ main level
    - Standard definition 525 (NTSC) and 625 (PAL)
  - HD Standard Supported:
    - MPEG-2 Main Profile @ High Level
    - Video Format: 1080i, 720p 50-60Hz

#### Embedding of HANC & VANC:

- Audio Pass Through
- Closed Caption/Teletext
- AFD/WSS
- SCTE35 to 104 (optional)
- Timecode

#### AVM Monitoring (+AVM):

- Freeze black video detection
- Mute audio detection

#### Electrical:

Power: <24W

#### Physical (number of slots):

7800FR: 1

### Ordering Information

<b>7881DEC-MP2-HD</b>	HD/SD MPEG2 upgradeable to H.264 Decoder (Integrated HTTP web interface or Frame Controller for SNMP)	<b>+DD</b>	DolbyE® full 8 channel decode
		<b>+DBISS</b>	BISS 1 descrambling capability
		<b>+SCTE104</b>	SCTE 35/104 translation
		<b>+AAC</b>	AAC decoder
<b>Ordering Options</b>	Rear Plate must be specified at time of order (Eg. Model +3RU)	<b>Rear Plate Suffix +3RU</b>	3RU Rear Plate for use with 7800FR Multiframe
<b>+H264</b>	H264 Decoder capability	<b>Enclosures 7800FR</b>	3RU Multiframe which holds up to 15 single slot modules
<b>+IP-FEC</b>	Forward Error Correction (expands slot count to 2)		
<b>+FSE</b>	Frame Sync option		
<b>+AVM</b>	Audio video monitoring		