

# 7881DEC-H264HD

## HD/SD MPEG-2 and H.264 Decoder



The 7881DEC-H264HD is a professional high quality SD/HD MPEG2 and H.264 decoder card. It offers high end HD and SD (MPEG-2 or H.264) decoding of encoded streams.

The 7881DEC-H264HD is perfect for monitoring applications or decoding for downstream baseband video and audio processing.

The 7881DEC-H264HD can reconstruct in the most flexible way all VANC & HANC data in the HD/SDI output.

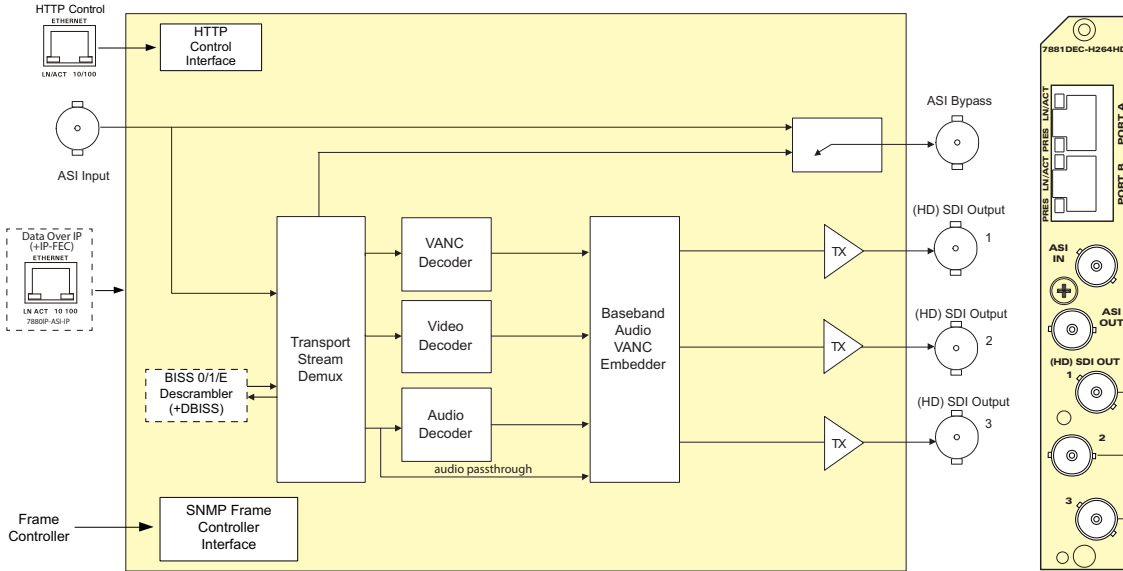
The 7881DEC-H264HD can be coupled with Evertz® RF front end (7780DM2-LB DVB-S2 demodulator) and Evertz® downstream video and audio processing equipment to create a complete versatile integrated receiver/decoder.

Optional Functionality	7881ENC-H264HD Encoder	7881DEC-H264HD Decoder
8-BIT 4:2:2	+422	+422
BISS 1/E Encryption	+EBISS	+DBISS
Dolby-E Audio	Pass Through	+DD
Dolby AC-3 Audio	+AC3E	Standard Feature
AAC Audio	+AAC	+AAC
SCTE3S to 104	+SCTE104	+SCTE104
Forward Error Correction	+IP-FEC	+IP-FEC

### Features & Benefits

- 1x HD/SD MPEG-2 or optional H264 (MPEG-4) 4:2:0 Video Decoder
- 1x ASI inputs
- 3x HD/SDI output with embedded audio and ancillary data

- Selection of decoded service
- Fully integrated with the industry leading VistaLINK® PRO system
- Control via 7700FC Frame Controller



### Specifications

#### Inputs and outputs:

- 1 ASI Input per DVB TR 101 891-270Mb/s Maximum Bitrate 120Mb/s
- 3 x SD/HD outputs SDI outputs 270Mb/s SMPTE ST 259 HD SDI outputs 1.485Gb/s SMPTE ST 292-1

#### IP Input (+IP-FEC):

- Requires additional slot
- De-encapsulation of MPEG-2TS packets following: MAC 802.3>IPV4>(RTP)>UDP>MPEG
- Accept 1 to 7 MPEG packets per IP frame
- Join Multicast and Unicast streams
- Selection of the UDP ports
- Expands slot count to 2 via 7880IP-ASI-IP

#### Frame sync (+FSE):

- 7800 Frame reference input
- Sync 1080i/59.94, 1080i/50, 720p/59.94, 720p/50, 525i/59.94, 625i/50
- Video Delay between 3 lines & 1 frame + 3 Lines
- Programmable output phase with respect reference input
- Support PCM, AC3, Dolby E Audio

#### Audio processing:

- 4 x PIDs of audio processing
- 4 x MPEG-1 layer 2 audio decoding
- 4 x AC-3 audio decode/pass through
- 4 x AC-3, Dolby E® pass through
- 1 x DolbyE® decode (optional)
- 4 x AAC Audio decode (optional)

#### Decoding Specifications:

- Video:  
SD Standard Supported:  
H.264 Main Profile @ Level 3  
Standard definition 525 (NTSC) and 625 (PAL)
- HD Standard Supported:  
MPEG-2 Main Profile @ High Level  
H.264 Main Profile @ Level 4  
H.264 High Profile @ Level 4
- Video Format:  
1080i, 720p 50-60Hz

#### Embedding of HANC & VANC:

- Audio Pass Through
- Closed Caption/Teletext
- SCTE35 to 104 (optional)
- AFD/WSS
- Timecode

#### AVM Monitoring (+AVM):

- Freeze black video detection
- Mute audio detection

#### Electrical:

Power: <24W

#### Physical (number of slots):

7800FR 1

### Ordering Information

<b>7881DEC-H264HD</b>	HD/SD MPEG2 and H.264 Decoder (Integrated HTTP web interface or Frame Controller for SNMP)
-----------------------	-----------------------------------------------------------------------------------------------

#### Ordering Options

- +422** 4:2:2 8-bit Chroma Sampling Support
- +IP-FEC** Forward Error Correction (expands slot count to 2 via 7880IP-ASI-IP)
- +FSE** Frame Sync option
- +AVM** Audio video monitoring
- +DD** DolbyE® full 8 channel decode
- +DBISS** BISS 1 descrambling capability
- +SCTE104** SCTE 35/104 translation
- +AAC** AAC decoder

#### Accessories

- 7700FC** 3RU Multiframe Controller (necessary for 3RU SNMP control)
- 7801FC** 1RU Multiframe Controller (necessary for 1RU SNMP control)
- 7881ENC-H264-HD** H.264 HD/SD-SDI Encoder
- VistaLINK® PRO** Network Management Software
- VistaLINK® CSM** Compression System Manager

#### Enclosures

- 7800FR** 3RU Multiframe which holds up to 15 modules
- 7800FR-QT** 3RU Multiframe which holds up to 15 modules
- 7801FR** 1RU Multiframe which holds up to 4 modules
- 3700FR** 6RU ATP Multiframe which holds up to 15 modules

The Complete Solution Provider

