

7880DEC-J2K-2IPASI, 7880DEC-J2K-ASI

HD & SD JPEG2000 Decoder Over Dual ASI & IP Input

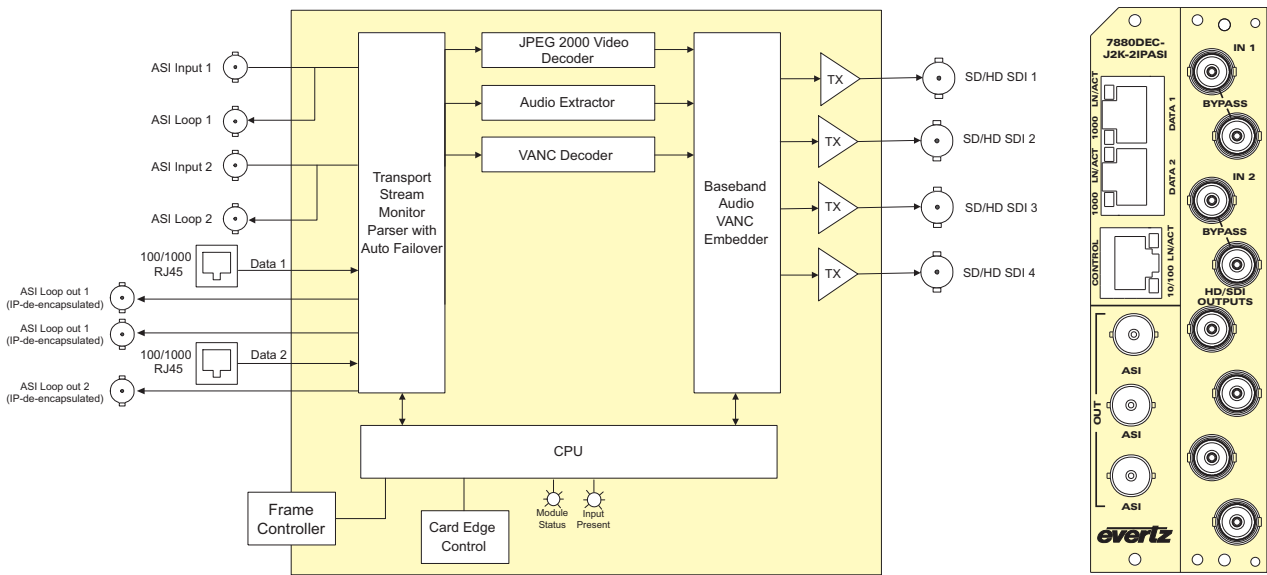


The 7880DEC-J2K-2IPASI is a JPEG2000 SD & HD decoder card which includes Evertz' versatile 3rd generation JPEG2000 codec. It offers user configurable JPEG2000 compression rates on ASI or IP, at better quality, higher rate and lower latency than previous generations. The 7880DEC-J2K-2IPASI is more robust in response to Network IP impairments and is equipped with two IP Data Ports. The 7880DEC-J2K-2IPASI also supports pass-through of up to 4 AES groups (16 channels) of embedded audio. Card functions are controlled via Evertz' VistaLINK® software.

The 7880DEC-J2K-2IPASI is an ideal product to decode back-hauled or archived high quality contribution video with ultra low end-to-end delay. The JPEG2000 codec offers superior quality over traditional MPEG compression without the any blocking artifacts. An ideal solution for pristine video and audio contribution.

Features & Benefits

- 1x HD/SD JPEG2000 Decoder
- Supports 1080i/59.94, 1080i/50, 1080i/60, 1080p/30, 1080p/30sF, 1080p/29.97, 1080p/29.97sF, 1080p/125, 1080p/25sF, 1080p/24, 1080p/24sF, 1080p/23.98, 1080p/23.98sF, 720p/60, 720p/59.94, 720p/50, 1035i/60, 1035i/59.94, 525i/59.94, 625i/50
- Selection of input format (ASI or IP)
- Selection from multiple inputs(2x ASI or 2x IP)
- Handles up to four groups of audio (Pass through, no compression)
- All VANC & HANC pass through
- Dual IP De-Encapsulation with forward error correction support
- VistaLINK® control
- Compatible with the companion encoder 7880ENC-J2K-IPASI
- 2 slot card (7 cards per 3RU)



Specifications

Serial Video Outputs: Standard: HD: SMPTE ST 292-1, (1080i/59.94, 1080i/50, 720p/59.94, 720p/50) embedded audio SD: SMPTE ST 259 ((525i/59.94, 625i/50)) Number of Outputs: 4 Connector: BNC per IEC 61169-8 Annex A	JPEG2000 Over IP Inputs: De-Encapsulation Parameters: • Join Multicast by providing correct messaging using IGMP V2/V3 (SSM Support) • Selection of the UDP Ports • Number of Inputs: 2	Electrical: Voltage: +12V DC Power: 29.9W EMI/RFI: Complies with FCC Part 15, Class A EU EMC Directive
JPEG2000 Over ASI Inputs: Standard: ASI DVB TR 101 891-270Mb/s Number of Inputs: 2 with loopout Min ASI TS input bitrate 10Mb/s Max total ASI TS input bitrate 210Mb/s	Decoding parameters: Bitrate setting: 10 to 100Mb/s for SD 20 to 210Mb/s for HD Latency: Max encoder/decoder delay 52ms Lower latency achieved with +LL option on encoder side Control: VistaLINK® offers setup and remote monitoring of the card	Physical (number of slots): 350FR: 2 7800FR: 2 7800FR-QT: 2 7801FR: 2

Ordering Information

7880DEC-J2K-2IPASI	HD & SD JPEG2000 Decoder Over Dual ASI & IP Input (Requires Frame Controller for SNMP)
7880DEC-J2K-ASI	Single J2K decoder with ASI

Ordering Options Rear Plate must be specified at time of order (Eg. Model +3RU)

Rear Plate Suffix +3RU 3RU Rear Plate for use with 350FR, 7700FR-C, 7800FR or 7801FR Multiframe

Accessories

7700FR	3RU Multiframe controller (necessary for 3RU SNMP control)
7801FC	1RU Multiframe controller (necessary for 1RU SNMP control)
VistaLINK® Pro	Network Management Software
VistaLINK® CSM	Compression System Manager

Enclosures

350FR	3RU Portable Multiframe which holds up to 7 single slot modules
7800FR	3RU Multiframe which holds up to 15 single slot modules
7800FR-QT	3RU Multiframe which holds up to 15 single slot modules
7801FR	1RU Multiframe which holds up to 4 single or 2 dual slot modules

