

7847FSE-3G, 7847FSE-HD, 7847FSE

3G/HD/SD-SDI Advanced Frame Synchronizer with Embedded Audio



The 7847FSE Frame Synchronizers are designed to re-time a SMPTE ST 424 (3Gb/s), SMPTE ST 292-1 (1080i/60, 1080i/59.94, 1080i/50, 1080p/24sF, 1080p/23.98sF, 720p/60, 720p/59.94 or 480p/59.94) or SMPTE ST 259-1 (625i/50, 525i/59.94) input to a local reference tri-level or composite sync signal. When necessary, frames are repeated or dropped to maintain synchronization.

The 7847FSE supports synchronization of both the video and any embedded audio present including the preservation of all VANC data. When the input video is lost, this module will pass the input content, freeze the last good frame or generate black video.

The frame synchronizers also have the ability to set the audio delay independently from the video delay and to adjust video parameters such as brightness, contrast, saturation and hue control. The adjustment of audio parameters such as gain, mixing stereo pairs into monaural and reassignment

of audio channels is fully supported on up to 16x channels of embedded audio. AFD insertion is supported via SNMP or GPI.

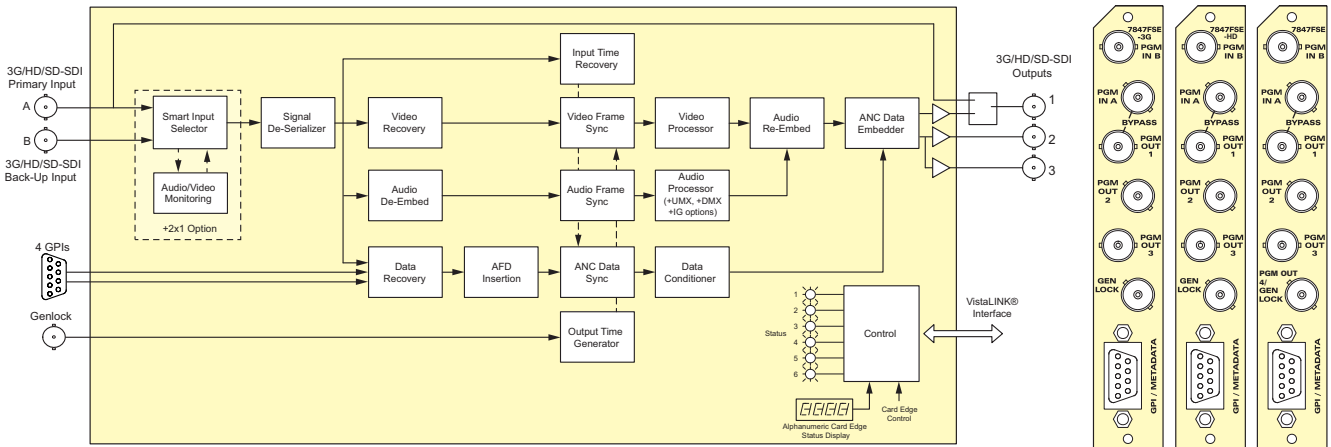
IntelliGain™ Audio and Loudness Processor

- Consistent audio loudness levels within a channel and/or program
- Automatic detection and level adjust for loud commercials
- Gain control within a program interval to preserve audio dynamic range
- Artifact-free transitions between program and commercials
- Elimination of drastic volume changes during commercials and interstitials

The 7847FSE is VistaLINK® capable, offering remote monitoring, control and configuration capabilities via Simple Network Management Protocol (SNMP) giving the flexibility to manage operations, including signal monitoring and module configuration from SNMP capable control systems (Manager or NMS).

Features & Benefits

- Synchronizes 3Gb/s, HD-SDI or SD-SDI video signals with embedded audio
- Supports additional frames of video and audio delay
- Program Video output bypass relay protected on power loss
- Programmable output phase with respect to reference input
- Freeze on last good frame, or go-to-black on loss of video or pass input
- Synchronizes four groups of embedded audio
- Adjustable brightness, contrast, saturation
- AFD insertion via SNMP or GPI
- Smart 2x1 protection switch with soft 2x1 option
- Full audio processor including channel shuffling, gain and phase inversion
- Protection switching to backup input
- Card edge status LEDs
- Optional upmixing, downmixing and loudness control
- VistaLINK® capable for remote monitoring, control and configuration capabilities via SNMP; using VistaLINK® PRO, CP-2116E or CP-2232E Control Panels. VistaLINK® is available when modules are used with the 3RU 7800FR frame and a 7700FC VistaLINK® Frame Controller module in slot 1 of the frame



Specifications

Serial Video Input Inputs A & B: Standard: SMPTE ST 424 (3Gb/s) 1080p (-3G models) SMPTE ST 292-1 (1.5Gb/s) 1080i, 1035i, 720p (-3G/HD models) SMPTE ST 259-1 (270Mb/s) 525i, 625i Connector: BNC per IEC 61169-8 Annex A Input Equalization: SD: Automatic to 300m @ 270Mb/s with Belden 1694A or equivalent cable Automatic to 115m @ 1.5Gb/s with Belden 1694A or equivalent cable HD: Automatic to 80m @ 3Gb/s with Belden 1694A or equivalent cable 3G: Return Loss: SD: > 15dB up to 270MHz HD: > 13dB up to 1.5GHz 3G: > 10dB up to 3.0GHz		Serial Video Outputs: Number of Outputs: 3 (1 output is bypass relay protected) Connectors: BNC per IEC 61169-8 Annex A Signal Level: 800mV nominal DC Offset: 0V ±0.5V Rise and Fall Time: SD: 900ps nominal HD: 200ps nominal Overshoot: <10% of amplitude Wide Band Jitter: <0.2 UI (HD) Genlock Input: Type: NTSC or PAL Color Black 1V p-p, or Composite bi-level sync (525i/59.94 or 625i/50) 300mV HD Tri-level Sync Connector: BNC per IEC 61169-8 Annex A Termination: 75Ω (dip-switch selectable)		Processing Functions: Video: Black Level: ±7% Luminance Gain: ±6dB Chrominance Gain: ±6dB Audio: Gain: ±24dB Remapping: Any input or mono mix of any L/R pair to any output Electrical: Voltage: +12V DC Power: 15W EMI/RFI: Complies with FCC Part 15, Class A EU EMC Directive Physical (number of slots): 350FR: 2 7700FR-C: 2 7800FR: 1 7801FR: 1	
--	--	--	--	---	--

The Complete Solution Provider



7847FSE-3G, 7847FSE-HD, 7847FSE 3G/HD/SD-SDI Advanced Frame Synchronizer with Embedded Audio

Ordering Information

7847FSE-3G	3G/HD/SD-SDI Advanced Frame Synchronizer with Embedded Audio
7847FSE-HD	HD/SD-SDI Advanced Frame Synchronizer with Embedded Audio
7847FSE	SD-SDI Advanced Frame Synchronizer with Embedded Audio

Ordering Options	Rear Plate must be specified at time of order (<i>Eg. Model +3RU</i>)
+2x1	Smart 2x1 protection switch with soft 2x1 option
+UMX	Stereo to 5.1 Up-mix
+DMX	5.1 to 2-Channel Stereo Downmix
+IG	IntelliGain Loudness Management

Rear Plate Suffix	
+3RU	3RU Rear Plate for use with 350FR, 7700FR-C and 7800FR Multiframe

Accessories	
7800FC/7700FC	VistaLINK® Frame Controller
CP-2116E-H	Remote Control Panel
CP-2232E	Remote Control Panel

Enclosures	
350FR	3RU Portable Multiframe which holds up to 7 single slot modules
7700FR-C	3RU Multiframe which holds up to 15 single slot modules
7800FR	3RU Multiframe which holds up to 15 single slot modules
7801FR	1RU Multiframe which holds up to 4 single or 2 dual slot modules

