



The 7825CCE-3G 3G/HD/SD-SDI DTV Closed Caption Encoder expands on the professional line of closed captioning solutions by Evertz®. The 7825CCE-3G supports dual and simultaneous CC encoding paths supporting 3G/HD/SD-SDI video signals. This unit has native support for numerous captioning interfaces, such as captioning over dial-up phone line, captioning over IP, captioning over serial RS-232/RS-422 and caption bridging from one input to the other. Applications such as "translating" captions from CEA-608 line 21 to CEA-708 VANC captions or "transcoding" CEA-708 captions to CEA-608 line 21 captions are natively supported.

chaining multiple units together and on-screen display for real time decode of the encoded closed captions.

The 7825CCE-3G is VistaLINK® -capable, which allows for control and configuration via Simple Network Management Protocol (SNMP). This offers the flexibility to manage the module status monitoring and configuration from SNMP enabled control systems such as Evertz® VistaLINK® Pro locally or remotely.

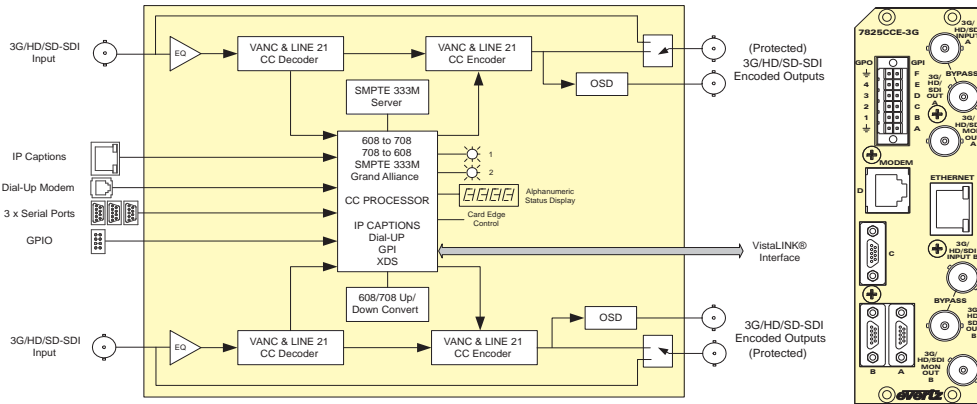
The 7825CCE-3G supports many advanced applications such as, Dolby Metadata encoding, broadcast flag insertion, port echo capability for daisy

chaining multiple units together and on-screen display for real time decode of the encoded closed captions.

Features & Benefits

- Simultaneous encoding of new CEA-608 and CEA-708 captions onto 3G/HD/SD-SDI video
- Supports caption encoding on dual video paths to simultaneously apply the same captions to two video sources (e.g. applying captions to SD and HD signals simultaneously).
- Dolby Metadata encode via serial port ingest
- Port Echo capability for closed caption encoder "daisy chain" set-up
- CEA-608 Line 21 VBI bridge functionality
- CEA-708 Advance caption bridge functionality
- Support for SMPTE 334M, SMPTE 333M & grand alliance transfer formats for 3G/HD/SD-SDI video
- Support for Line 21 CEA-608 captions on SD-SDI video
- Support for CEA-708 VANC captions onto 3G/HD-SDI video
- Supports captioning over IP
- Broadcast flag insertion

- RS-232/RS-422 serial, telephone modem, Ethernet TCP/IP and parallel GPI communication interface
- Built-in CEA-708 (HD-SDI) and CEA-608 (SD-SDI) closed caption decoder
- Closed caption shifting for both SD and HD captions
- Encoding of Extended Data Service Packets into field 2 of the SD-SDI signal including Transmission Signal Identifier (TSID), Copy Generation Management System (CGMS-A) and V-Chip
- AFD Flag Insertion
- Save or insert captions directly to or from a file (CEA-608, Procap, CDP) stored on a local Compact Flash card (with the +CF option)
- VistaLINK® capable for remote monitoring, control and configuration capabilities via SNMP; using VistaLINK® PRO, CP-2116E or CP-2232E Control Panels. VistaLINK® is available when modules are used with the 3RU 7800FR frame and a 7700FC VistaLINK® Frame Controller module in slot 1 of the frame



Specifications

<p>Serial Digital Video Input: Standard: SMPTE ST 424 3Gb/s, SMPTE ST 292-1 1.485Gb/s, SMPTE ST 259-1 270Mb/s Number of Inputs: 2 Connector: BNC per IEC 61169-8 Annex A Equalization: Automatic up to 80m @3Gb/s with Belden 1694A (or equivalent) Automatic up to 100m @1.5Gb/s with Belden 1694A (or equivalent) Automatic up to 300m @270Mb/s with Belden 1694A (or equivalent) Impedance: 75Ω</p> <p>Serial Digital Video Output: Standard: Same as HD input Number of Outputs: 2 per encoding path. Program out is bypass relay protected Connector: BNC per IEC 61169-8 Annex A Signal Level: 800mV nominal</p>	<p>DC Offset: 0V ±0.5V Rise and Fall Time: 200ps nominal Overshoot: <10% of amplitude Wide Band Jitter: <0.2 UI Impedance: 75Ω</p> <p>General Purpose In/Out: Number of Inputs: 6 Number of Outputs: 4 Type: Opto isolated, active low Connector: 2x6 Terminal Block Signal level: +5V nominal Communications and Control: Serial: 3 DB-9 female RS-232 /RS-422 selectable 1200 baud to 57.6 kbaud 7 or 8 data bits Modem: 1 x RJ-11 telephone jacks 1200 baud to 14.4 kbaud V.32BIS compatible</p>	<p>Ethernet: Connector: RJ-45 IEEE 802.3 (10 BaseT) IEEE 802.3u (100 BaseTX)</p> <p>Electrical: Voltage: +12VDC Power: 12 Watts EMI/RFI: Complies with FCC Part 15, Class A, EU EMC Directive</p> <p>Physical (number of slots): 350FR: 2 7700FR-C: 2 7800FR: 2</p>
--	--	--

Ordering Information

7825CCE-3G	3G/HD/SD-SDI Modular Closed Caption Encoder (Requires 7700FC)	Accessories	
Ordering Options	Rear Plate must be specified at time of order (Eg. Model +3RU)	7700FC	VistaLINK® Frame Controller
+CF	Onboard Compact Flash for Caption File Capture and Insertion	CP-2116E-H	Remote Control Panel
Rear Plate Suffix		CP-2232E	Remote Control Panel
+3RU	3RU Rear Plate for use with 350FR or 7700FR-C Multiframe	Enclosures	
		350FR	3RU Portable Multiframe which holds up to 7 single slot modules
		7700FR-C	3RU Multiframe which holds up to 15 single slot modules
		7800FR	3RU multiframe which holds up to 15 single slot modules
		7800FR-QT	3RU multiframe which holds up to 15 single slot modules
		7801FR	1RU multiframe which holds up to 4 single or 2 dual slot modules