

7812UDXD-AES8-3G, 7812UDXD-AES8-HD, 7812UDXD-3G, 7812UDXD-HD

3G/HD Up/Down/Cross Converter with Simultaneous Dual Format Outputs and AES I/O



The 7812UDXD-AES8-HD and 7812UDXD-HD are Broadcast Quality Up/Down/Cross Converters that convert between common SD/SMPT ST 259 and HD/ST 292-1 video signals. With its dual scaler and dual output architecture, the 7812UDXD series simultaneously generates two different HD/SD outputs with independent phasing. -3G versions add support for common 3G/SMPT 424M video signals. These modules support frame synchronization and use FRAME REF inputs on the 7800FR to obtain card genlock.

With the +3D option, the internal dual scaler architecture is re-configured to receive full resolution Left Eye + Right Eye stereoscopic signals and generate a single 1.5Gbs signal with Side-by-Side or Top-Bottom 3D display formatting.

The 7812UDXD series of converters incorporates Mosquito Noise Reduction (MNR) and Block Artifact Reduction (BAR) in addition to motion adaptive spatial-temporal (3D) noise reduction. The 7812UDXD series also incorporates new de-interlacing technologies for superior resolution and artifact reduction.

The 7812UDXD series supports dual broadcast quality scaling engines and offers both standard and user defined ARC modes. AFD (SMPT 2016) based steering of ARC modes and stamping of AFD codes is fully supported. Transitions between AFD modes are frame accurate/glitch free. With the +F option, signals applied to the PGM B IN input can be keyed into image side panels for one of the program outputs. FILL inputs are frame synchronized so that pre-timing of FILL inputs is not required. With the +CF2G option, static or animated side panels can be stored locally and keyed into image side-panels for one of the program outputs.

Dual broadcast quality color correction and detail enhancement processors are integrated into the 7812UDXD series. RGB based color legalization is also supported. ITU Rec 709 ↔ 601 color space conversions are performed as needed.

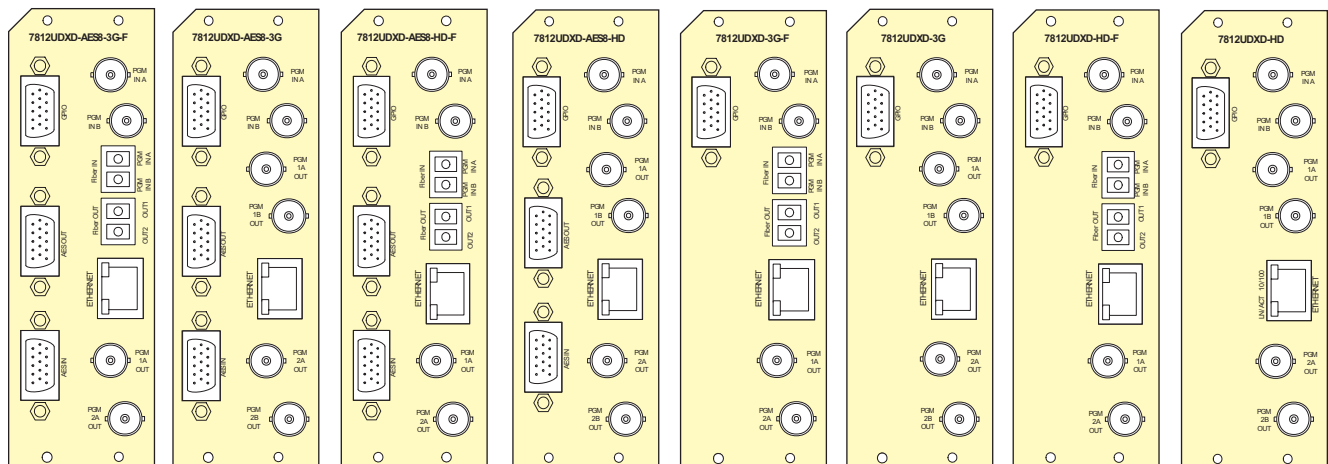
The 7812UDXD series supports 16 channels of embedded audio with audio delay automatically matching video delay. Additional audio delay is available. Full audio proc is supported including per channel audio gain, channel swapping and inversion controls. Surround sound (5.1 PCM) to stereo (Lt/Rt or Lo/Ro) down-mixing is supported.

-AES8 versions of the 7812UDXD series supports 8x discrete AES inputs and outputs in addition to advanced audio processes like stereo to 5.1 up-mixing (+UMX), Dolby® E/AC-3 Decoding (+DD), Dolby® E Encoding (+DEE), Dolby® AC-3 Encoding (+AC3E) and IntelliGain® Loudness Management (+IG). Any two Dolby® encode or decode functions may be integrated into a single card including dual decoders or dual encoders.

These modules transfer closed caption and time code information from input to output and perform all HD ↔ SD data translations and time code re-calculations. SFP based fiber inputs and outputs are available with the -F variations.

► Features & Benefits

- Broadcast quality up/down/cross conversions between common SD/SMPT ST 259 and HD/ST 292-1 video signals
- Simultaneous generation of two independent HD/SD video outputs
- Independent phase control for each video output
- Support for common 3G/SMPT 424M video signals (-3G versions)
- Integrated frame synchronization capabilities
- Support for 7800FR FRAME REF for supplying card genlock
- Generates Side-by-Side or Top-Bottom 3D display formatted signals from 2x full resolution Left Eye/Right Eye stereoscopic input signals (+3D option)
- Advanced noise reduction technologies (3D NR, MNR, BAR)
- New generation de-interlacing technologies
- Supports standard and user defined aspect ratio conversions
- Fully AFD enabled with frame accurate transitions between AFD modes
- Integrated side panel fill keyer (+F)
- Optional compact flash for storage of side-panel content (+CF2G)
- Dual Broadcast Quality color corrector and detail enhancement engines
- ITU Rec 709 ↔ 601 color space conversions
- 16 channel embedded audio support
- Audio delay automatically tracks video delay
- Full audio proc and channel swapping
- 5.1 surround sound to stereo (Lt/Rt or Lo/Ro) down-mixing
- Supports 8x external AES inputs and 8x AES outputs (-AES8 versions)
- Optional stereo to 5.1 surround sound up-mixer (+UMX)
- Optional Dolby® E/AC-3 decoder (+DD)
- Optional Dolby® E encoder (+DEE)
- Optional Dolby® AC-3 encoder (+AC3E)
- Optional IntelliGain® Loudness Management (+IG)
- Transfers closed caption and time code information from input to output with all required SD ↔ HD data translations and time code re-calculations
- Dual fiber in and dual fiber out using SFP modules (-F versions)
- VistaLINK® and SNMP capable for remote control and monitoring when used with the 7800FR and a 7700FC VistaLINK® Frame Controller
- Support for direct VistaLINK® and SNMP remote control/monitoring without a 7700FC when using standalone mini-agent JAR files

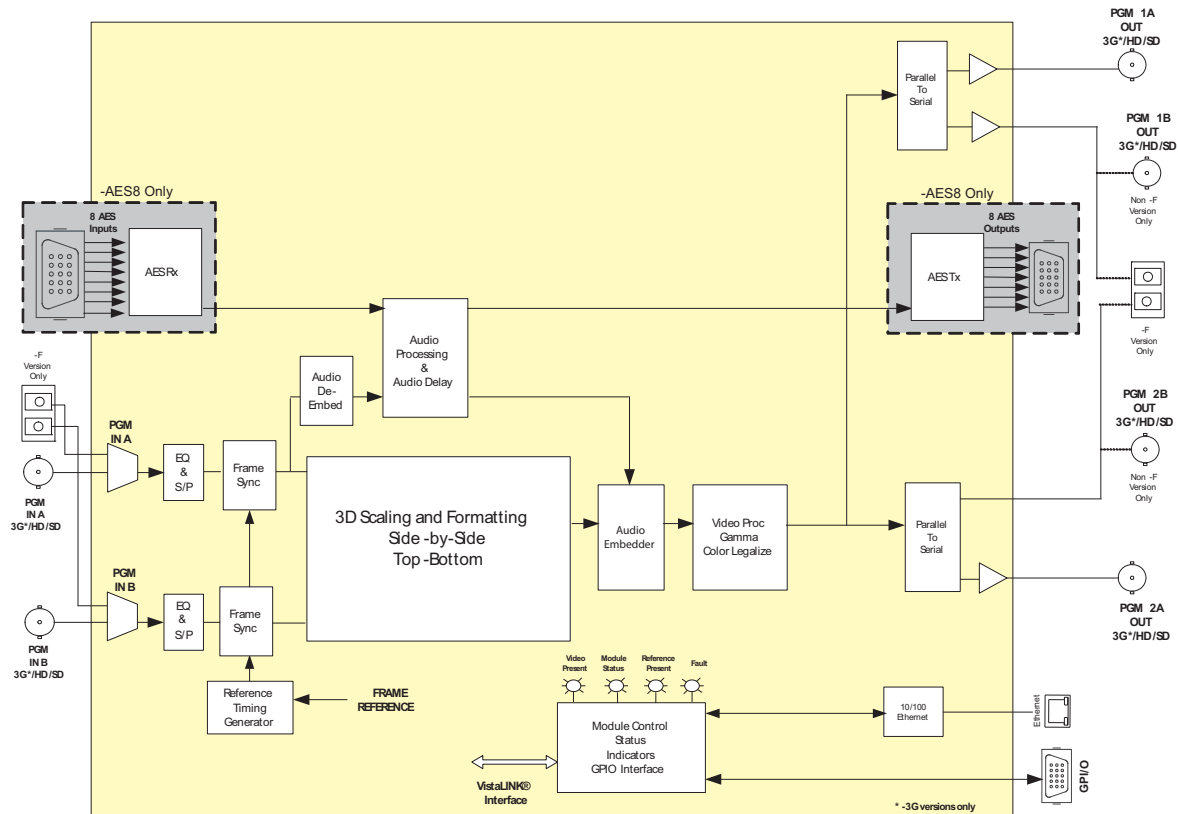
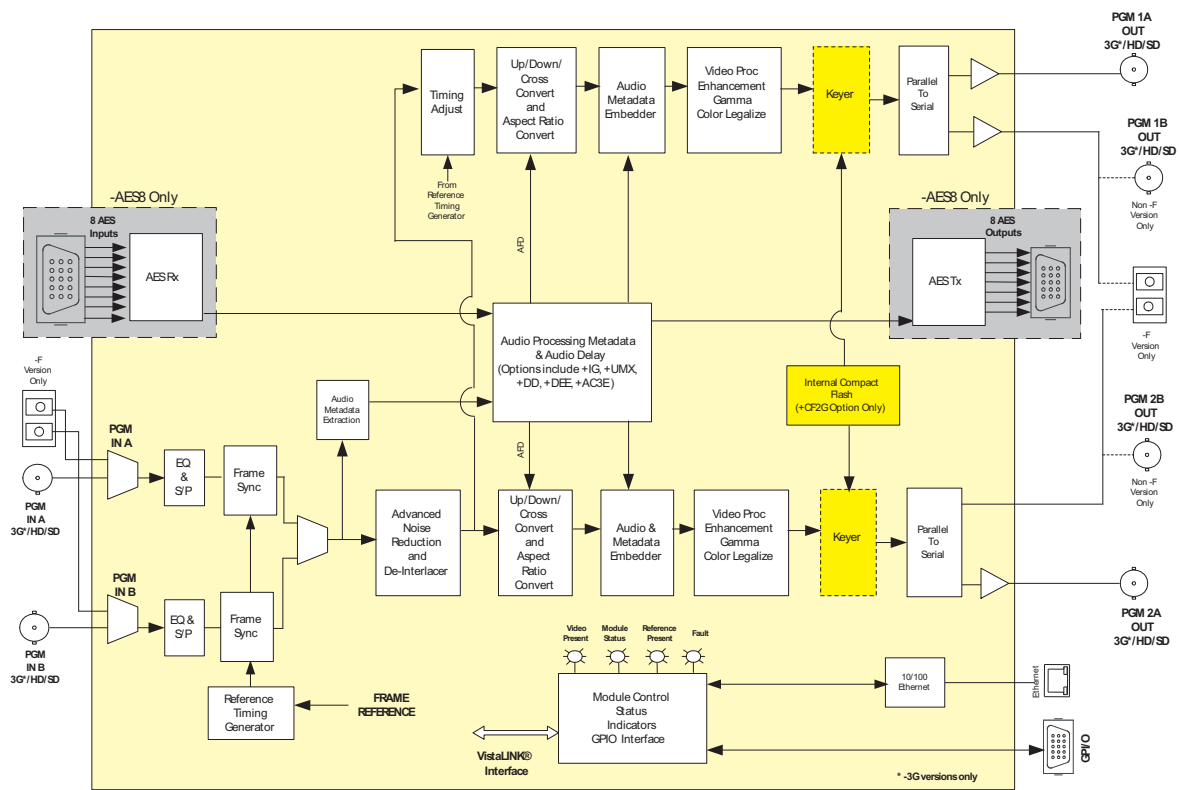


The Complete Solution Provider



7812UDXD-AES8-3G, 7812UDXD-AES8-HD, 7812UDXD-3G, 7812UDXD-HD

3G/HD Up/Down/Cross Converter with Simultaneous Dual Format Outputs and AES I/O



7812UDXD-AES8-3G, 7812UDXD-AES8-HD, 7812UDXD-3G, 7812UDXD-HD

3G/HD Up/Down/Cross Converter with Simultaneous Dual Outputs and AES I/O



Ordering Information

Coax I/O:

7812UDXD-AES8-HD HD Up/Down/Cross Converter with Simultaneous Dual Format Outputs and AES I/O

7812UDXD-AES8-3G 3G/HD Up/Down/Cross Converter with Simultaneous Dual Format Outputs and AES I/O

7812UDXD-HD HD Up/Down/Cross Converter with Simultaneous Dual Format Outputs

7812UDXD-3G 3G/HD Up/Down/Cross Converter with Simultaneous Dual Format Outputs

Fiber I/O Enabled:

7812UDXD-AES8-HD-F HD Up/Down/Cross Converter with Simultaneous Dual Format Outputs and AES I/O and Fiber IO capability

7812UDXD-AES8-3G-F 3G/HD Up/Down/Cross Converter with Simultaneous Dual Format Outputs and AES I/O and Fiber IO capability

7812UDXD-HD-F HD Up/Down/Cross Converter with Simultaneous Dual Format Outputs and Fiber IO capability

7812UDXD-3G-F 3G/HD Up/Down/Cross Converter with Simultaneous Dual Format Outputs and Fiber IO capability

Ordering Options

+3D 3D video processing option
+F Side Panel Fill
+CF2G Embedded Compact Flash
+UMX Stereo to 5.1 Up-mix
+IG IntelliGain® Loudness Management (+IG)
+DD Dolby E/AC-3 Decoder
+DEE Dolby E Encoder
+AC3E Dolby AC-3 Encoder
+DD2 Second Dolby E/AC3 Decoder
+DEE2 Second Dolby E Encoder
+AC3E2 Second AC-3 Encoder

Rear Plate must be specified at time of order (Eg: Model + 3RU)

Accessories

SFP3T13-2 Dual optical 3G/HD/SD-SDI SFP Transmitter, 1310 nm
SFP3R-2 Dual optical 3G/HD/SD-SDI SFP Receiver

Enclosures

7800FR 3RU Multiframe which holds up to 15 single slot modules