

7807WR-2

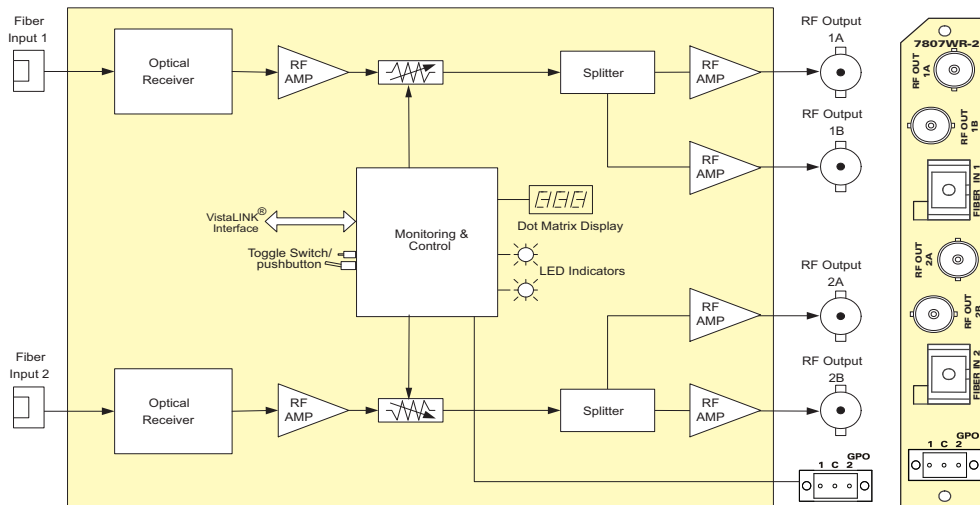
Dual Wireless RF Fiber Receiver with VistaLINK® and SmartMON™

The 7807WR-2 dual fiber optic receiver for RF signals. They accept two fiber optic inputs from a companion transmitter(s) and provide two pairs of electrical outputs. With two optical receivers per single-slot card, the 7807WR-2 provides a high density economical solution.

Individual monitoring and control is provided for each signal path. Gain may be adjusted manually in 0.5dB increments or managed automatically via AGC or IGC modes. SmartMON™ capability decodes and displays incoming information from the paired SmartMON™ enabled companion transmitter.

► Features & Benefits

- Wideband signal 88–3000MHz
- Protocol independent design — transports all modulation formats
- Supports manual, automatic (AGC) and intelligent (IGC) gain control modes
- IGC mode provides simple automatic compensation for fiber loss while output level tracks antenna level input at SmartMON™ capable fiber transmitter
- 0.5dB gain adjustment granularity for setting manual gain or AGC target power levels
- Dual, full power outputs provided from each input to facilitate signal distribution or monitoring
- Dual fiber receivers on a single-slot card provides the industry's highest density solution
- SmartMON™ capability for display of monitored parameters from companion SmartMON™ capable fiber transmitters
- Fully hot-swappable from front of frame
- VistaLINK® capability is available for monitoring and control when modules are used in a 3RU 7800FR frame and a 7700FC VistaLINK® frame controller is installed in slot 1 of the frame
- Compatible with all 2408WT, 7708WT and 7807WT-2 transmitters
- Wide range optical inputs (1270nm to 1610nm)
- Supports single-mode and multi-mode fiber optic cable
- Available with SC/UPC, ST/UPC, FC/UPC, SC/APC and FC/APC connector options
- The 7807WR-2 occupies one card slot and can be housed in a 1RU frame that will hold up to four modules, a 7800FR 3RU frame that will hold up to 15 modules, or a standalone enclosure, which holds one module



► Specifications

RF Outputs: Number of Outputs: 2 + 2 (two per optical input) Connectors: BNC per IEC 61169–8 Annex A (F-Type Optional) Output Impedance: 75Ω Return Loss: > 15dB Frequency Response: 88MHz–2800MHz Output IP3: +28dBm AGC Gain Range: –10 to +30dB Output Signal Level: –10 to –65dBm (depending on input signal level, gain setting and optical loss)	AGC Mode: –10 to –40dBm (adjustable, within AGC hold range) Optical Input: Number of Inputs: 2 Connector: Female SC/UPC, ST/UPC, FC/UPC, SC/APC, FC/APC Operating Wavelength: 1270–1610nm Maximum Input Power: 7807WR-2: +3dBm Optical Sensitivity: 7807WR-2: –14dBm @ 35dB S/N on a 36MHz carrier	Electrical Voltage: 12VDC Power: 6W Physical (number of slots): 7800FR: 1 7801FR: 1 Compliance: EMI/RFI: Complies with FCC regulations for Class A devices. Complies with EU EMC directive 89/336/EEC.
---	--	--

► Ordering Information

7807WR-2-B50	Dual RF fiber receiver for wireless applications, with VistaLINK and SmartMON. 50Ω BNC Connectors
---------------------	---

Rear Plate Suffix	
+3RU	3RU Rear Plate for use with 7800FR Multiframe

Ordering Options Rear plate and Fiber Connector must be specified at the time of order (Eg: Model+3RU+SC)

Enclosures	
7800FR	3RU Multiframe which holds up to 15 single slot modules
7801FR	1RU Multiframe which holds up to 4 single or dual slot modules

Connector Suffix	
+SC	SC/UPC
+AP+SC	SC/APC (Angle polished)
+ST	ST/UPC
+FC	FC/UPC
+AP+FC	FC/APC (Angle polished)
+F75	75Ω, F-Type rear connector

Note: 75Ω BNC Connectors are standard. For companion transmitter see the 7807WT-2 catalogue page. Also compatible with the 7708WT and 2408WT series transmitters.

The Complete Solution Provider

