

7800SRG-IP

PTP Slave Sync Generator

The 7800SRG-IP is a precision time protocol (PTP) referenced black burst sync generation module. In the modern media facility or data center, timing can be distributed along with the video and audio essence over IP. Hence, reducing or eliminating the need for traditional large coaxial black burst or sync distribution systems.

This module is ideal for hybrid IP-Baseband systems which have remote edit suites, campus distributed LAN timing, WAN based systems and baseband islands. Particularly in areas which will not have traditional sync distribution systems or where the application doesn't warrant an Enterprise-level GPS-based grand master clock system (like the 5700MSC-IP).

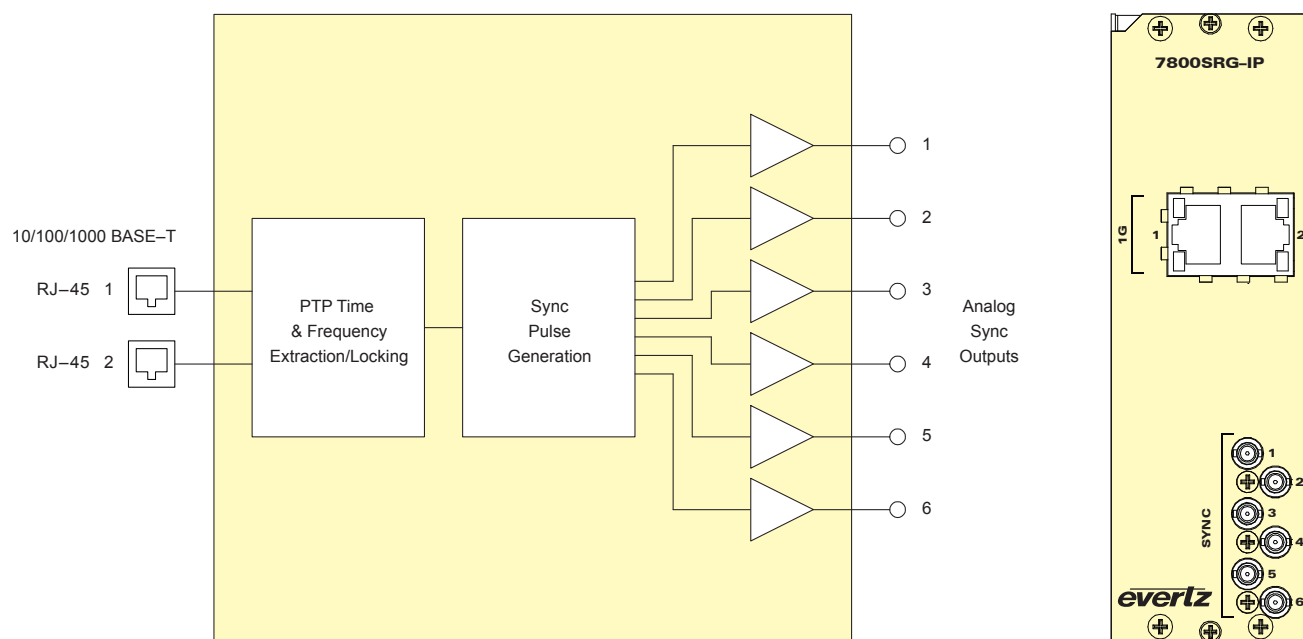
The 7800SRG-IP locks to PTP from one of the 10/100/1000BASE-T ports and generates 6x black burst outputs that are locked to the upstream grand master clock system.

Each of the 6x HD-BNC outputs may be configured to provide independently timed color black (black burst) outputs or independently timed HDTV tri-level sync outputs. Also, each output can be configured to provide 10MHz, 5MHz, PAL Subcarrier, NTSC Subcarrier and other bespoke sync signals for timing to legacy equipment.

It is an excellent complementary product to the 5700MSC-IP Grand Master Clock system.

Features & Benefits

- Primary/secondary 10/100/1000 BASE-T input for timing reference
- 6x independent timeable and configurable sync outputs
- Derives frequency and phase from Precision Time Protocol (IEEE1588-J, SMPTE ST 2059-2 or AES67 profile)
- Excellent for edit suites or remote baseband islands in hybrid IP/baseband plants
- VistaLINK enabled for control



Specifications

10/100/1000 BASE-T Timing Network:		Bi-Level:	Slo-Pal 625i/48, 625i/47.95, 480p/59.94	CW Signals:	5MHz, 10MHz, NTSC-M Subcarrier, PAL-B Subcarrier
Quantity:	2	HD Tri-Level:	SMPTE ST 274 (1080p/23.98, 1080p/24, 1080i/50, 1080i/59.94, 1080i/60, 1080p/23.98sF, 1080p/24sF, 1080p/25, 1080p/29.97, 1080p/30, 1080p/50, 1080p/59.94, 1080p/60)	Wordclock:	48kHz Wordclock Level 5V CMOS (1kΩ) or ±1V (75Ω)
Network Type:	IEEE 802.3 (10BASE-T) IEEE 802.3u (100BASE-TX) IEEE 802.3ab (1000BASE-T)		SMPTE ST 296 (720p/59.94, 720p/60, 720p/50, 720p/30, 720p/24)	10MHz Output:	1.0V p-p, 2.0V p-p, in 75Ω, SNR > 70dB rms SFDR > 50dBc
Connector:	RJ-45		PAL color frame, 1Hz pulse, I-REG DATUM 1/1.001Hz pulse, 6/1.001Hz pulse	Connector:	75Ω HD-BNC
Timing:	IEEE1588 (annex J) SMPTE 2059-2 AES67			Number of Outputs:	6
Analog Sync Outputs:				DC Offset:	0V ±0.05V
Output Standards:				Return Loss:	> 40dB up to 10MHz
Black Burst:	SMPTE ST 170 (NTSC-M), ITU-R BT.1700-1 (PAL-B)			SNR:	> 75dB rms
				Output Levels:	1.0V p-p, 2.0V p-p, in 75Ω, selectable

Ordering Information

7800SRG-IP PTP Slave Sync Generator

Enclosures:
350FR
7700FR-C
7800FR
7801FR

3RU Portable Multiframe which holds up to 7 single slot modules
3RU Multiframe which holds up to 15 single slot modules
3RU Multiframe which holds up to 15 single slot modules
1RU Multiframe which holds up to 4 single or 2 dual slot modules

Ordering Options: Rear Plate must be specified at time of order (Eg. Model +3RU)

Rear Plate Suffix:
+3RU 3RU Rear Plate for use with 350FR, 7700FR-C or 7800FR Multiframe