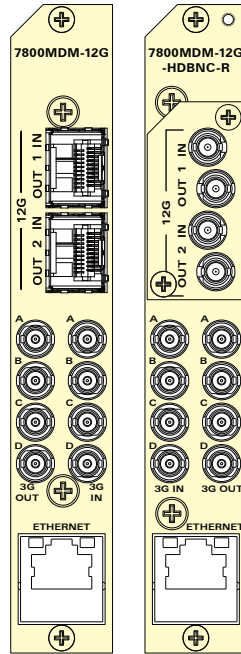


7800MDM-12G

12G to/from Quad-Link 3G Bi-Directional Converter for UHD Signals

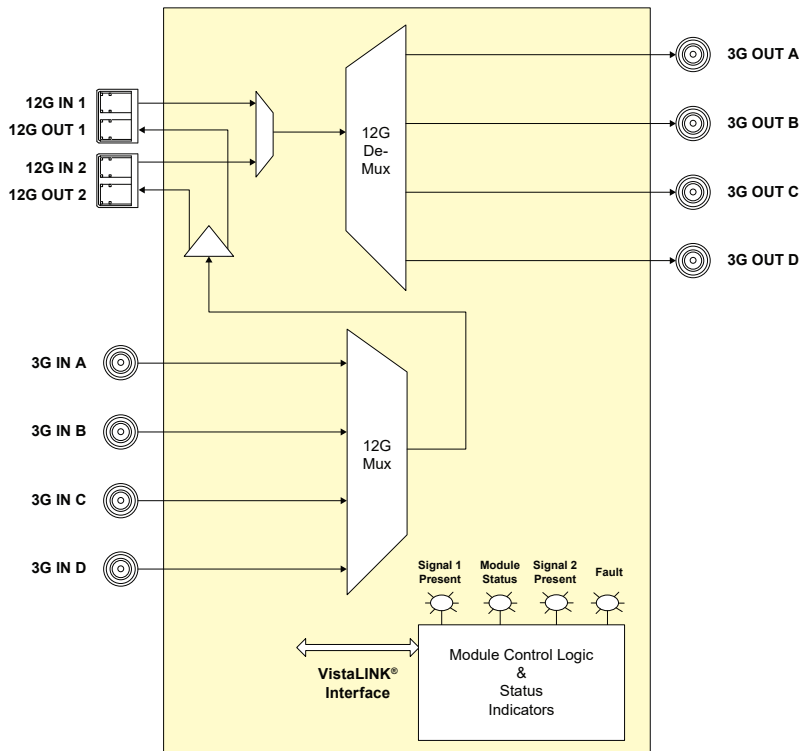


With many UHD signals still existing as quad-link 3G, there is a real need to provide high density 12G-SDI conversions. The 7800MDM-12G is a bi-directional multiplexer/de-multiplexer for converting UHD signals between quad-link 3G and 12G-SDI. Capable of transport format transformations in both directions simultaneously, it supports both SQD (square division multiplexed) as well as 2Si (two sample interleaved) signals with the ability to convert between each on the quad-link I/Os. 7800MDM-12G needs only a single slot in a 7800 series frame, providing the high density broadcasters need during the transition phase to 12G-SDI.



Features & Benefits

- Converts between 12G (SMPTE ST 2082) SDI and quad-link 3G SDI
- Support for Level A and B 3G-SDI presented as both quad-division and 2SI UHD signals
- High density, bi-directional conversion on a single-slot card
- Converts SQD inputs to 2SI and vice versa
- Modular and front accessible
- Dual 12G-SDI input (software selectable as to source) and dual 12G outputs for signal distribution when equipped with second input SFP (dual 12G I/O included with -HDBNC-R version)
- Remote monitoring and control via web GUI; available via SNMP using VistaLINK® PRO, CP-2116E or CP-2232E



7800MDM-12G

12G to/from Quad-Link 3G Bi-Directional Converter for UHD Signals



Ordering Information

7800MDM-12G	12G SDI to/from Quad-Link 3G SDI bi-directional converter. 12G input/output SFP purchased separately — please specify at time of ordering.
7800MDM-12G-HDBNC-R	12G SDI to/from Quad-Link 3G SDI bi-directional converter. Removable HDBNC connectors for 12G ports. Includes MTR-HDBNC-12G-2 — Replaceable Module for 12G-SDI tranceiver.
SFP Module Options:	<i>(note: sold separately)</i>
SFP3TR-13-12G	SD/HD/3G/12G Reclocking SFP Transceiver using a wavelength 1310nm, Optical power: -5~0.5dBm, Sensitivity: -10dBm, handles pathological pattern, 2LC connectors. For use in Evertz 12G Router and Processing Products.
SFP3TR-HDBNC-12G	12G/3G/HD/SD Reclocking, MSA SFP Transceiver, HD-BNC Connectors.
Rear Plate Suffix:	
+3RU	3RU rear plate
Enclosures:	
7800FR	3RU Multiframe Which Holds up to 15 Single Slot Modules with AC Power Supply
7800FR-QT	Quiet Multiframe with Intelligent Front Fan Cooling
7801FR	1RU Multiframe Which Holds up to 4 Single Slot or 2 Dual Slot Modules, Requires Rear Plate Option for Modules