

The 7800IDA8-3G reclocking distribution amplifier provides high quality distribution of facility 3G/HD/SD-SDI signals. This module features an auto-sensing equalized input that generates eight reclocked outputs and is especially useful in projects where long cables runs are encountered.

Unlike other traditional DA's on the market, this module has been designed to support additional broadcast functionality such as loudness control, lipsync control, audio up and down mixing. These features can be optionally ordered providing more value to an already high performance distribution amplifier.

The 7800IDA8-3G is VistaLINK® capable, offering remote monitoring, control and configuration capabilities via Simple Network Management Protocol (SNMP) giving the flexibility to manage operations, including signal monitoring and module configuration from SNMP capable control systems (Manager or NMS).

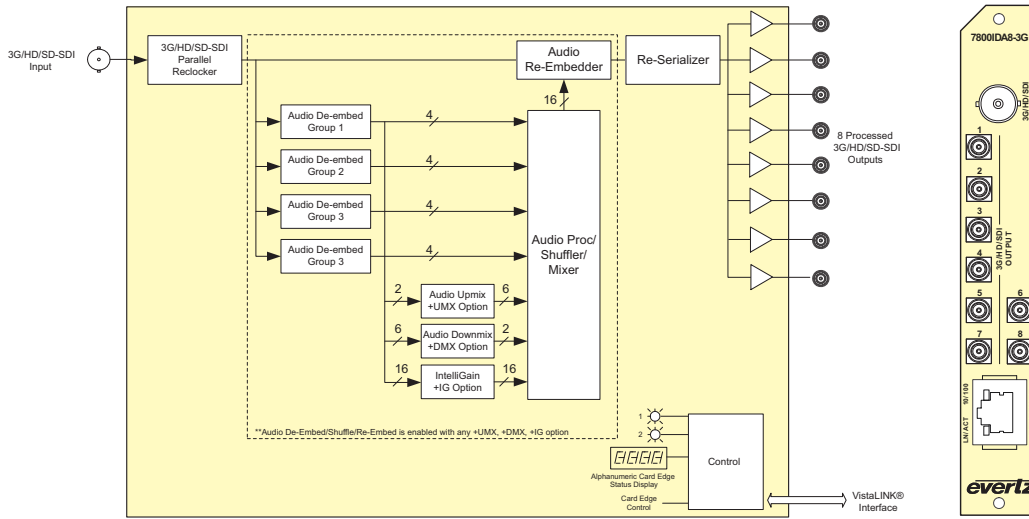
This device:

- Provides eight reclocked outputs from the 3G/HD/SD-SDI input
- Provides enhanced signal reclocking and conditioning
- Provides monitoring and fault detection for video loss, black and freeze
- Provides monitoring and fault detection for audio loss, over and under
- Offers embedded mono audio channel shuffling (+UMX, +DMX, or +IG)
- Offers 2-channel stereo to 5.1 surround sound upmixing (+UMX)
- Offers 5.1 2-channel stereo downmix (+DMX)
- Offers award winning IntelliGain™ loudness control (+IG)
- Offers award winning IntelliTrak™ Lipsync control (+IT)
- SNMP configuration via 7700FC Evertz® frame controller

The 7800IDA8-3G occupies one card slot and can be housed in the 3RU 7700FR-C, 7800FR and 7800FR-QT frames that have a 15-slot capacity. The 7700FC frame controller is required for configuration.

Features & Benefits

- 3G/HD/SD-SDI input with eight reclocked outputs
- Long reach cable performance
- Standardized video and audio monitoring
- Optional embedded audio channel shuffling
- Optional upmixing, downmixing, loudness control and lipsync control
- Input signal presence detection
- Real time VistaLINK® monitoring and trending
- High density approach offers 14 modules within 3RU



Specifications

Serial Video Input:	Serial Video Outputs:	Ethernet Interface:
Standard: 3Gb/s SMPTE 424M (-3G), 1.5Gb/sec SMPTE ST 292-1 (-3G) 270Mb/s SMPTE ST 259-C (525i/59.94 or 625i/50)	Standard: Same as input	Standard: Ethernet 10/100 base-T, IEEE 802.3U standard for 100Mb/s
Connector: 1 BNC per IEC 61169-8 Annex A	Number of Outputs: 8	Connector: RJ-45
Input Equalization: 3G: Automatic to 100m @ 3Gb/s with Belden 1694A or equivalent cable	Connector: Mini Din 1.0/2.3 connector	Function: Unused. Designed for future use.
HD: Automatic to 140m @ 1.5Gb/s with Belden 1694A or equivalent cable	Signal Level: 800mV nominal	Electrical:
SD: Automatic to 400m @ 270Mb/s with Belden 1694A or equivalent cable	DC Offset: 0V ±0.5V	Voltage: +12V DC
Return Loss: 3G: > 10dB up to 3Gb/s	Rise and Fall Time: 3G/HD-SDI: 200ps nominal	Power: 9W
HD: > 15dB up to 1.5Gb/s	SD-SDI: 900ps nominal	EMI/RFI: Complies with FCC regulations for class A devices
SD: > 20dB up to 270 Mb/s	Overshoot: < 10% of amplitude	Complies with EU EMC directive
	Return Loss: > 20dB up to 270MHz	
	Jitter: < 0.20 UI	
		Physical (number of slots):
		7700FR-C: 1
		7800FR: 1
		7800FR-QT: 1

Ordering Information

Model	Description	Rear Plate Suffix	Accessories	Enclosures
7800IDA8-3G	3G/HD/SD-SDI Intelligent 1x8 Distribution Amplifier	+3RU	7700FC	350FR
7800IDA8	SD-SDI Intelligent 1x8 Distribution Amplifier (7700FC required for configuration)		CP-2116E-H	7700FR-C
			CP-2232E	7800FR
				7800FR-QT
				7801FR
Ordering Options	Rear Plate must be specified at time of order. (Eg: Model + 3RU)	3RU Rear Plate for use with 7700FR-C, 7800FR or 7800FR-QT Multiframe	VistaLINK® Frame Controller	3RU Portable Multiframe which holds up to 7 single slot modules
+DMX	5.1 to 2-Channel Stereo Downmix		Remote Control Panel	3RU Multiframe which holds up to 15 single slot modules
+UMX	2-Channel Stereo to 5.1 surround sound upmix		Remote Control Panel	3RU Multiframe which holds up to 15 single slot modules
+IG	IntelliGAIN™ Loudness Control			3RU Quiet Multiframe which holds up to 15 single slot modules
+IT	IntelliTrak Lipsync Control			1RU Multiframe which holds up to 3 single or dual slot modules
+TL	ThumbLINK			

When ordering the +UMX option, the only other option that can be added is +IG.
When ordering the +TL option, no other options can be added.

