

7800IDA2Q-3G, 7800IDA2Q-HD

3G/HD/SD-SDI Intelligent Distribution Amplifier (1x8)



The 7800IDA2Q Dual 3G/HD/SD-SDI Reclocking Distribution Amplifier provides high quality distribution of facility 3G/HD/SD-SDI signals. HD versions support SMPTE ST 292-1 and SMPTE ST 259 signals while 3G versions also support SMPTE 424M signals. This module features dual auto-sensing equalized inputs with unparalleled cable equalization, making it the most-cost effective and ideal solution for long cable run environments.

The 7800IDA2Q is VistaLINK® enabled, offering remote monitoring, control and configuration capabilities via Simple Network Management Protocol (SNMP) giving the flexibility to manage operations, including signal monitoring and module configuration from SNMP capable control systems (Manager or NMS).

The 7800IDA2Q occupies one card slot and can be housed in the 3RU 7700FR-C, 7800FR and 7800FR-QT frames that have a 15-slot capacity. The 7700FC frame controller is required for configuration.

For maximum flexibility, the module can operate in a dual input to four outputs each configuration or as one input to eight output configuration.

► Features & Benefits

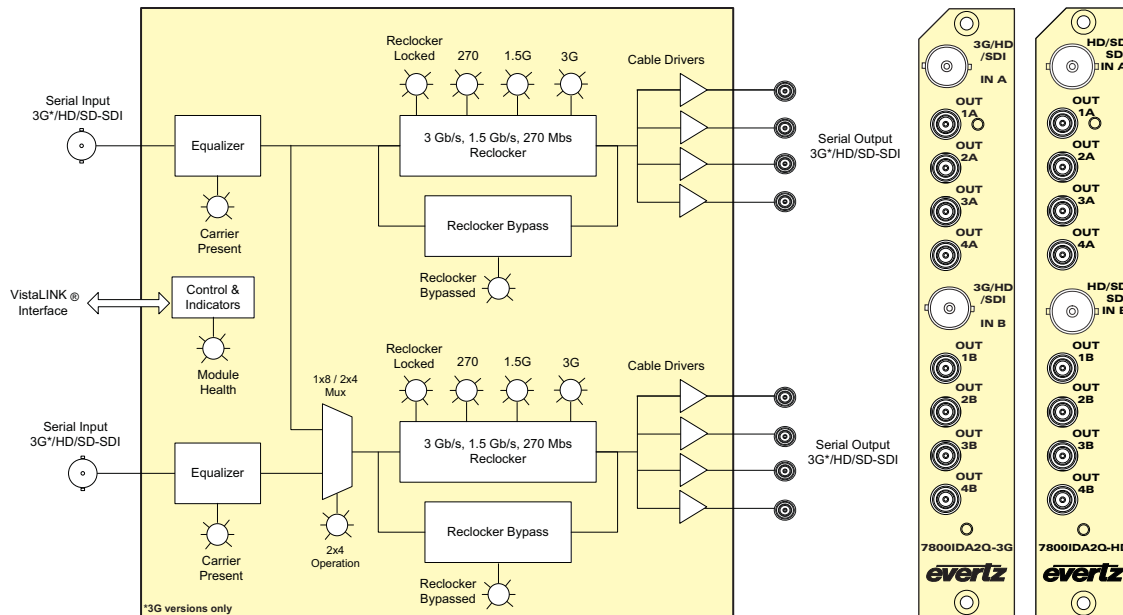
- HD/SD-SDI dual input with four reclocked outputs per input
- Support for common 3G-SDI video inputs (-3G versions)
- Configurable as one DA with eight outputs or two DAs with four outputs each (1x8 or 2 - 1x4)
- Industry leading long reach cable performance
- Input signal presence detection
- High density approach offers 14 modules within 3RU (28 DA's in 3RU)
- Real time VistaLINK® monitoring and trending for SNMP monitoring

Inputs

- Two independent inputs
- Reclocked 3G/HD/SD-SDI
- Non-Reclocked SMPTE ST 344-1 (540Mb/s), SMPTE ST 259-1 (360Mb/s, 143Mb/s), SMPTE ST 310-1 (19.4Mb/s), DVB-ASI
- Return Loss > 15dB to 1.5GHz and > 10dB up to 3Ghz
- Auto-equalization to 150m at 3Gb/s, 200m at 1.5Gb/s and 380m at 270Mb/s

Outputs

- Four reclocked outputs per input (or eight reclocked outputs for one input)



► Specifications

Serial Video Input:

Standards:
 Reclocked Mode: SMPTE ST 424 (3Gb/s) (-3G version) SMPTE ST 292-1 (1.5Gbs) SMPTE ST 259-1 (270Mb/s)
 Non-reclocked Mode: SMPTE ST 344-1 (540Mb/s), SMPTE ST 259-1 (360Mb/s), 143Mb/s SMPTE ST 310-1 (19.4Mb/s), DVB-ASI
 Connector: 2 BNC per IEC 61169-8 Annex A
 Equalization: Automatic to (with Belden 1694A or equivalent cable)
 150m @ 3Gb/s
 200m @ 1.5Gb/s
 380m @ 270Mb/s
 Return Loss: > 10dB up to 3GHz
 > 15dB up to 1.5GHz

Serial Video Outputs:

Number of Outputs:
 2 - 1x4 Mode: 4 reclocked from each input
 1x8 Mode: 8 reclocked from first input
 Connector: Din 1.0/2.3 connector
 Signal Level: 800mV nominal
 DC Offset: 0V +/- 0.5V
 Rise & Fall Time: 3G/HD-SDI: 200ps
 SD-SDI: 900ps
 Overshoot: < 10% of amplitude
 Return Loss: > 15dB up to 1.5GHz
 > 20dB up to 270MHz
 Wideband Jitter: < 0.2 UI HD
 < 0.3 UI 3G

Electrical:

Voltage: +12V DC
 Power: 6W
 EMV/RFI: Complies with FCC Part 15 Class A
 EU EMC Directive

Physical (number of slots):

350FR: 1
 7700FR-C: 1
 7800FR: 1
 7800FR-QT: 1
 7801FR: 1

► Ordering Information

7800IDA2Q-3G	Dual 3G/HD/SD-SDI Reclocking Distribution Amplifier
7800IDA2Q-HD	Dual HD/SD-SDI Reclocking Distribution Amplifier

Rear Plate Suffix
+3RU 3RU Rear Plate for use with 350FR, 7700FR-C or 7800FR Multiframe

Enclosures

350FR
7700FR-C
7800FR
7800FR-QT
7801FR

3RU Portable Multiframe which holds up to 7 single slot modules
 3RU Multiframe which holds up to 15 single slot modules
 3RU Multiframe which holds up to 15 single slot modules
 3RU Quiet Multiframe which holds up to 15 single slot modules
 1RU Multiframe which holds up to 3 single or dual slot modules