

# 7800FC

## 7700/7800 Frame Controller

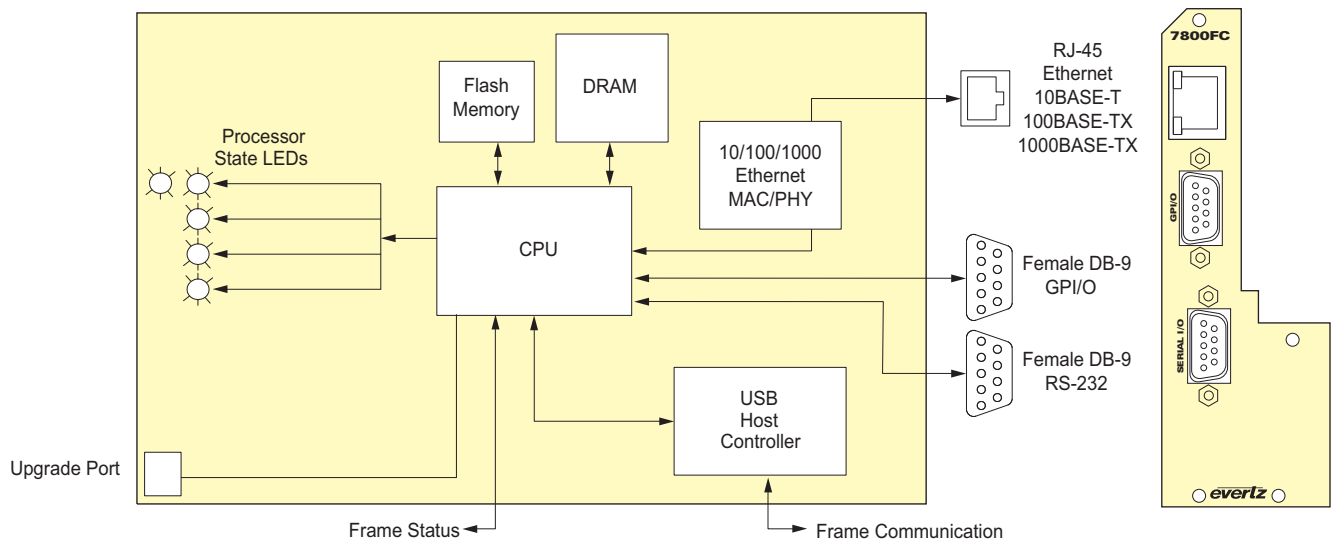


The 7800FC VistaLINK® Frame Controller card provides a single point of access to communicate with VistaLINK® -capable modules. The 7800FC VistaLINK® Frame Controller provides a 10BASE-T/100BASE-TX/1000BASE-TX Ethernet port and communication is facilitated using Simple Network Management Protocol (SNMP).

The 7800FC VistaLINK® Frame Controller handles all SNMP communications between the frame (7800FR) and the network manager (NMS), and serves as a gateway to individual cards in the frame. The 7800FC VistaLINK® Frame Controller also provides an RS-232 serial port interface for customer configurations.

### ► Features & Benefits

- Complies with IEEE 802.3 10BASE-T, 100BASE-TX and 1000BASE-TX Ethernet standards
- 1000Mb/s Gigabit Ethernet, 100Mb/s Fast Ethernet or 10Mb/s Ethernet data transfer, selected by auto negotiation
- Full-duplex or half-duplex operation, selected by auto-negotiation
- RJ-45 connector for network cable connection
- RS-232 serial control port for configuration
- Card edge LEDs indicate module fault, microprocessor state, activity and link status
- Rear panel LEDs indicate Ethernet link, activity and speed
- Supports "FTP" upgrades for frame-wide firmware upgrades (product specific)
- Includes VistaLINK® PRO (VLPRO-C) module software configuration tool
- Provides frame/chassis status information through VistaLINK® including power supply status, frame status, card insertion/removal counters, 7800FC software version number and LED control
- Provides an onboard web interface to directly control supported modules



### ► Specifications

Ethernet:		Electrical:		Physical (number of slots):	
Network Type:	IEEE 802.3 (10BASE-T) IEEE 802.3u (100BASE-TX) IEEE 802.3ab (1000BASE-TX)	Voltage:	+12V DC	350FR:	1
Connector:	RJ-45	Power:	8W	7700FR-C:	1
		EMI/RFI:	Complies with FCC Part 15, Class A EU EMC directive	7800FR:	1
<b>Serial I/O:</b>					
Standard:	RS-232				
Connector:	Female DB-9				
Baud Rate:	115,200				
Format:	8 bits, no parity, 2 stop bits, no flow control				

### ► Ordering Information

7800FC	VistaLINK® Frame Controller	Enclosure	
<b>Ordering Options</b>	Rear Plate and Fiber Connector must be specified at time of order (Eg: Model +SC +3RU)	<b>350FR</b>	3RU Portable Multiframe which holds up to 7 single slot modules
<b>Rear Plate Suffix</b>		<b>7700FR-C</b>	3RU Multiframe which holds up to 15 single slot modules
<b>+3RU</b>	3RU Rear Plate for use with 350FR, 7700FR-C or 7800FR Multiframe	<b>7800FR</b>	3RU Multiframe which holds up to 15 single slot modules
		<b>7800FR-QT</b>	3RU Quiet Multiframe which holds up to 15 single slot modules

The Complete Solution Provider

