

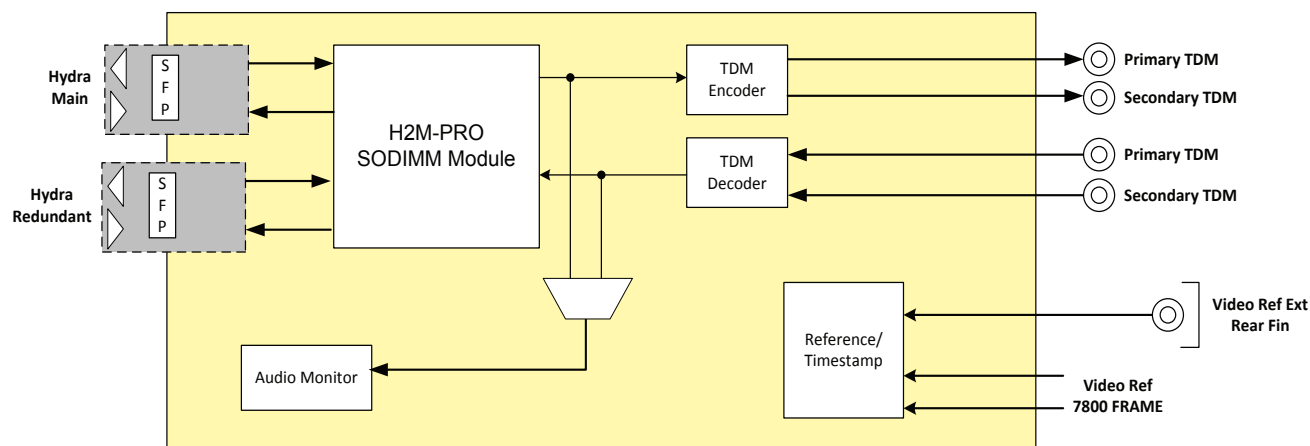
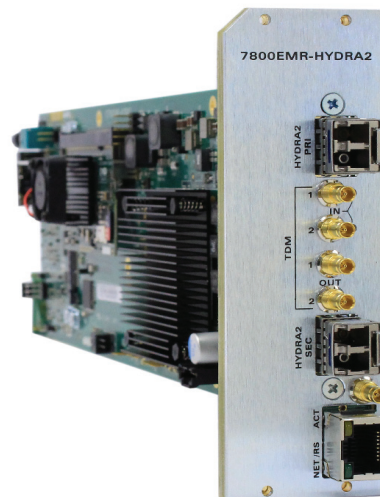
# 7800EMR-HYDRA2

## TDM to Hydra2 Bi-directional Interface Module

The 7800EMR-HYDRA2 interface module provides existing and new EMR audio systems to integrate directly to Calrec Hydra2\* audio systems by means of a seamless bi-directional translation between Evertz TDM and Calrec Hydra2. Featuring primary and secondary Hydra2 paths that are capable of 512x bi-directional audio channels (at 48kHz), primary and secondary TDM paths all are monitored and provide an automatic failover mechanism, in addition there is a licensable feature to allow for name transfer, from a MAGNUM Unified Control System to the Calrec Hydra2 system for the appropriate audio labels. This joint effort is made possible by the fitment of a Calrec US6237 H2M-PRO Hydra2 Interface card, which is to be purchased from Calrec, onto the 7800EMR-HYDRA2 interface module.

The 7800EMR-HYDRA2 interface module just makes sense, it simplifies system wiring, configuration and overall management of the audio signals, monitoring and name transfers, not to mention it provides path redundancy as well as saving rack and module slots space. When we compare this to a traditional or equivalent system one would require multiple MADI lines to interlink the systems via numerous MADI conversion boxes on both ends, which to a key point do not have an inherently incorporated path redundancy as seen with Hydra2/TDM Audio paths, and then names would be handled in a separate protocol translator card with additional complicated configuration required.

*Hydra2 is a trademark of Calrec Audio Ltd.*



### ► Features & Benefits

- Compact 2-slot design
- 512x mono channels
- Main and redundant paths with auto fail over or dual path
- Reference via Frame or external connection
- High Availability, 24/7 Design
- Full modular design
- Hot-swappable
- Passive I/O rearplate
- Redundant Frame power supply
- Comprehensive system monitoring bus
- VistaLINK® PRO SNMP monitoring of I/O modules
- Supports Backwards compatibility to 7700FR

### ► Ordering Information

**7800EMR-HYDRA2** TDM to Hydra2 bi-directional interface module \*\*  
Calrec Hydra2 Daughter Card to be purchased from Calrec

**Rear Plate Suffix**  
+3RU 3RU Rear Plate for use with 7700FR-C or 7800FR Multiframe

**Enclosures**  
350FR  
7800FR  
7801FR

3RU Portable Multiframe which holds up to 7 single slot modules  
3RU Multiframe which holds up to 15 single slot modules  
1RU Multiframe which holds up to 4 single or 2 dual slot

**Ordering Options**  
+NAMES

License to enable name transfer from the MAGNUM Unified control system to the Calrec Hydra 2 system