

7800EMR-ALINK2

STUDER A-LINK - Evertz TDM Audio Router Module

This 7800EMR-ALINK2 provides a means of a bulk audio interconnection from a Studer A-Link interface to TDM for Evertz EMR Audio products using TDM backbone.

There are 2 paired TDM links (both TX and RX) for one A-Link bidirectional interface. This is the case for both independent paths that can be configured to function in a master-slave mode or a dual independent path mode. The A-Link interface, using a sample rate of 48KHz. The 7800EMR-ALINK2 utilizes a video reference locked to the system reference to ensure the signals are properly locked for transporting the audio seamlessly back and forth across TDM and A-LINK. Reference is provided via the 7800 frame reference inputs, optionally the card does have an external reference that can be selected and used.

Control

When combined with MAGNUM as part of a EMR Audio solution the 7800EMR-ALINK2 can be controlled using a wide range of control panels and interfaces. The 7800EMR-ALINK2 also provides a SNMP interface to control configuration options, and monitoring using VistaLINK® PRO SNMP.

Redundancy

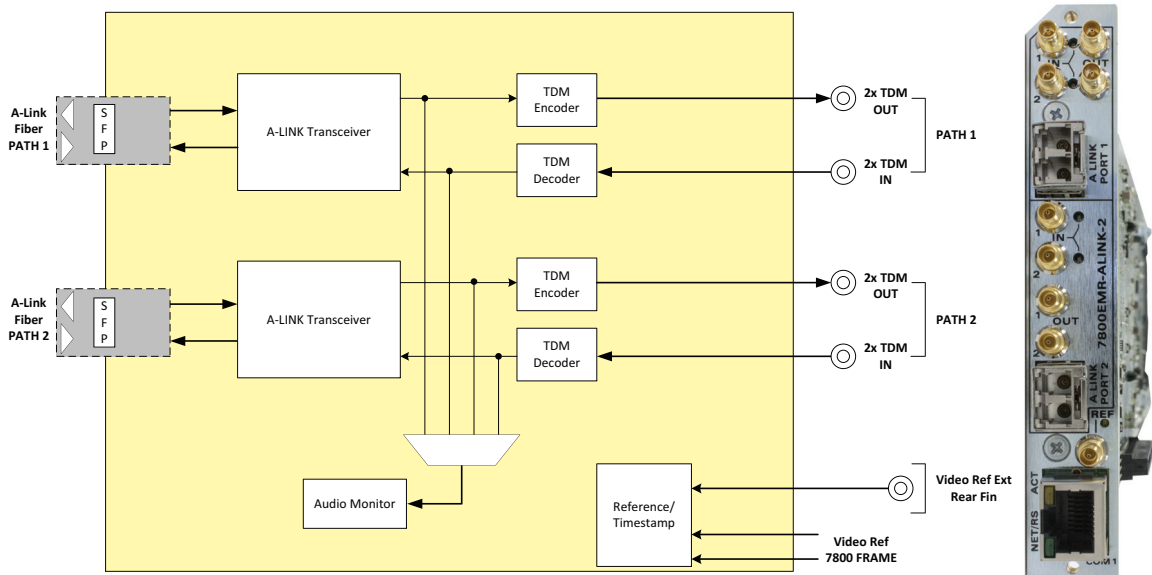
The 7800EMR-ALINK2 has 2 A-Link fiber connections via SFP modules on the rear fin assembly that can operate in a master-slave mode, where it will automatically switch over to use channels on the backup link if required. This modular card is designed to fit into an Evertz 7800FR which can provide redundant power and redundant reference inputs.

System Integration

When combined with the EQX, the EMR provides the ability to route audio universally across various formats. Embedded audio from EQX video sources can be de-embedded and routed to AES, analog, MADI destinations or A-LINK. The system also allows discrete audio sources from AES, analog, MADI or A-LINK to audio embedders on the EQX. This unique system provides maximum flexibility for routing any audio source to any audio destination.

Features & Benefits

- Compact design
- 1280 mono channels
- Reference Via Frame or external connection
- High Availability, 24/7 Design
- Full modular design
- Hot swappable
- Passive I/O rearplate
- Main and Redundant paths with auto fail over or dual path
- Redundant Frame power supply
- Comprehensive system monitoring bus
- VistaLINK® PRO SNMP monitoring of I/O modules
- Supports Backwards compatibility to 7700FR



Specifications

Studer A-LINK Inputs

Number Inputs: 2
Model supports MAX 1280 Mono Channels at a 48KHZ sample rate fiber

Studer A-LINK Outputs

Number of Outputs: 2
Model supports MAX 1280 Mono Channels at a 48KHZ sample rate fiber

TDM Outputs

Number of Outputs: 4

TDM Inputs

Number of Inputs: 4

Reference

External Din: 1
Internal 7800 Frame: 2
Formats: NTSC, PAL

Physical (number of slots)

350FR: 1
7800FR: 1
7801FR: 1

Ordering Information

7800EMR-ALINK2 STUDER A-LINK - Evertz TDM Audio Router module

Ordering Options

SFP10G-TR85-A A-Link SFP+ Optical Transceiver, 850nm, MMF
Contact factory for additional SFP Module options

Enclosures

350FR
7800FR
7801FR

3RU Portable Multiframe which holds up to 7 single slot modules
3RU Multiframe which holds up to 15 single slot modules
1RU Multiframe which holds up to 4 single or 2 dual slot module