



The 7800DA8-RS422 distribution amplifiers provide reliable distribution of serial RS-232, 422 and 485 unidirectional data. The 7800DA8-RS-422 provides 8 copies of the original serial input. This product also provides intelligent monitoring of the input signal and can alarm if no activity is detected on the input. Thresholds for alarm notification are user configurable via SNMP.

The 7800DA8-RS422 occupies one module slot within the 7700FR and 7800FR 3RU family of frames, which will hold up to 15 modules.

VistaLINK® capable for remote monitoring, control and configuration capabilities via SNMP; using VistaLINK® PRO, CP-2116E or CP-2232E Control Panels. VistaLINK® is available when modules are used with the 3RU 7800FR frame and a 7700FC VistaLINK® Frame Controller module in slot 1 of the frame

The 7800DA8-RS422 modules are VistaLINK® PRO capable, offering remote monitoring, control and configuration via Simple Network Management Protocol (SNMP).

►Features & Benefits

Serial Data Input

Single receive of RS-232/RS-422 or RS-485 unidirectional serial data

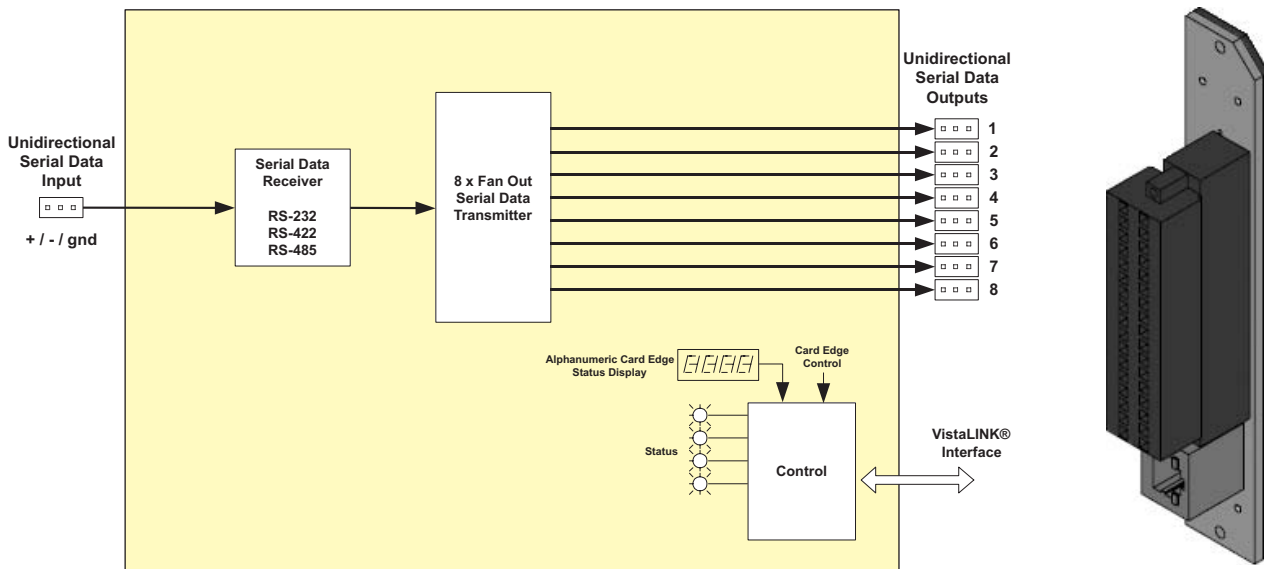
Control

SNMP capable controls

Fully integrated with the industry leading Evertz VistaLINK® PRO NMS

Serial Data Outputs

8 fanout serial outputs via terminal strip connector



►Specifications

Serial Data Input:

Standard: RS-232, RS-422 or RS-485
 Number of Inputs: 1
 Connector: Terminal block
 Baud Rate: 110, 300, 600, 1200, 2400, 4800, 9600, 14400, 19200, 38400, 57600, or 115200
 Format: 8 data bits, parity (none, even or odd), 1 or 2 stop bits

Electrical:

Voltage: +12V DC
 Power: 9W
 EMI/RFI: Complies with FCC regulations for class A devices
 Complies with EU EMC directive

Serial Video Outputs:

Standard: Same as input
 Number of Outputs: 8
 Connector: Terminal block
 Baud Rate: 110, 300, 600, 1200, 2400, 4800, 9600, 14400, 19200, 38400, 57600, or 115200
 Format: 8 data bits, parity (none, even or odd), 1 or 2 stop bits

Physical (number of slots):

7700FR-C 1
 7800FR 1

►Ordering Information

7800DA8-RS422 Serial Data Distribution Amplifier (1x8)

Ordering Options Rear Plate must be specified at time of order
 Eg: Model +3RU

Rear Plate Suffix +3RU 3RU rear plate for use with 7800FR, 7700FR-C or 350FR Multiframe

Accessories

7700FC VistaLINK® Frame Controller
CP-2116E-H Remote Control Panel
CP-2232E Remote Control Panel

Enclosures

7700FR-C 3RU Multiframe which holds 15 modules
7800FR 3RU Multiframe which holds 15 modules
7800FR-QT 3RU Quiet Multiframe which holds 15 modules
7801FR 1RU Multiframe which holds up to 4 single or 2 dual slot modules