

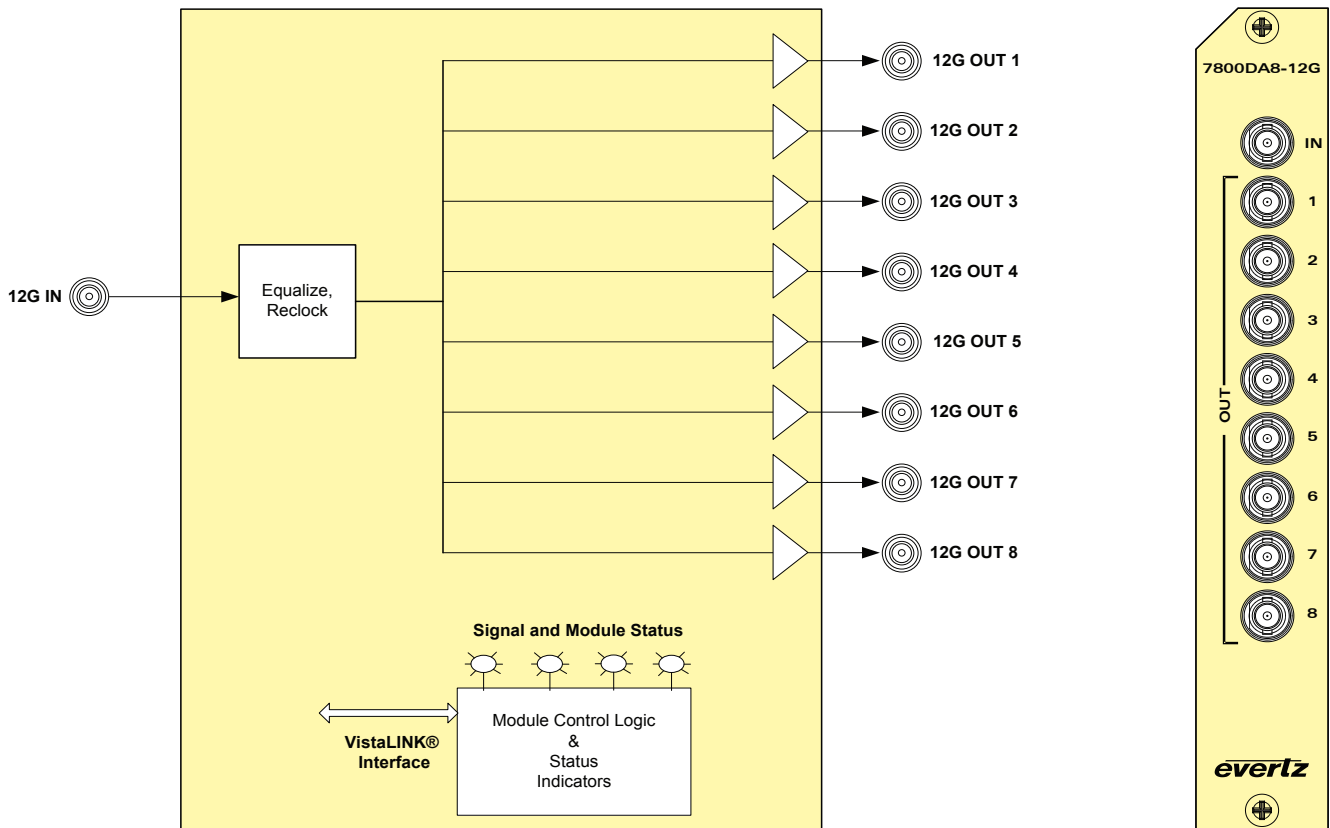
The 7800DA8-12G is a 1x8 distribution amplifier for a wide range of signal rates, including the most current 12G standards. Inputs are automatically equalized and 8x isolated, re-clocked outputs are provided. Full remote monitoring and control of important parameters is provided with SNMP/VistaLINK® PRO.

► Features & Benefits

- Automatic input equalization
- Automatic reclocking
- VistaLINK® capable for remote monitoring, control and configuration capabilities via SNMP using VistaLINK® PRO, CP-2116E or CP-2232E control panels. VistaLINK® is available when modules are used with the 7800FR or 7801FR with 7800/7801FC frame controller installed

Standards supported:

- SMPTE ST 2082/1 (proposed)
- SMPTE ST 424M
- SMPTE ST 344M
- SMPTE ST 292M
- SMPTE ST 259M



► Ordering Information

7800DA8-12G 12G/3G/HD/SD 1x8 Reclocking Distribution Amplifier

Rear Plate Suffix:
+3RU 3RU rear plate

Enclosures:
7800FR
7800FR-QT
7801FR

3RU multiframe, holds up to 15x single-slot modules
3RU multiframe, holds up to 15x single-slot modules, low noise
1RU multiframe, holds up to 4x single- or two dual-slot modules