

7800DA7-MADI

MADI 1x7 Reclocking Distribution Amplifier



The 7800DA7-MADI distribution amplifiers provide reliable distribution of your MADI signals. The 7800DA7-MADI features one auto-equalized input with seven reclocked outputs. The 7800DA7-MADI is housed in the Evertz 7800FR Multiframe, which is available in either a 3RU or 1RU version. The 7800DA7-

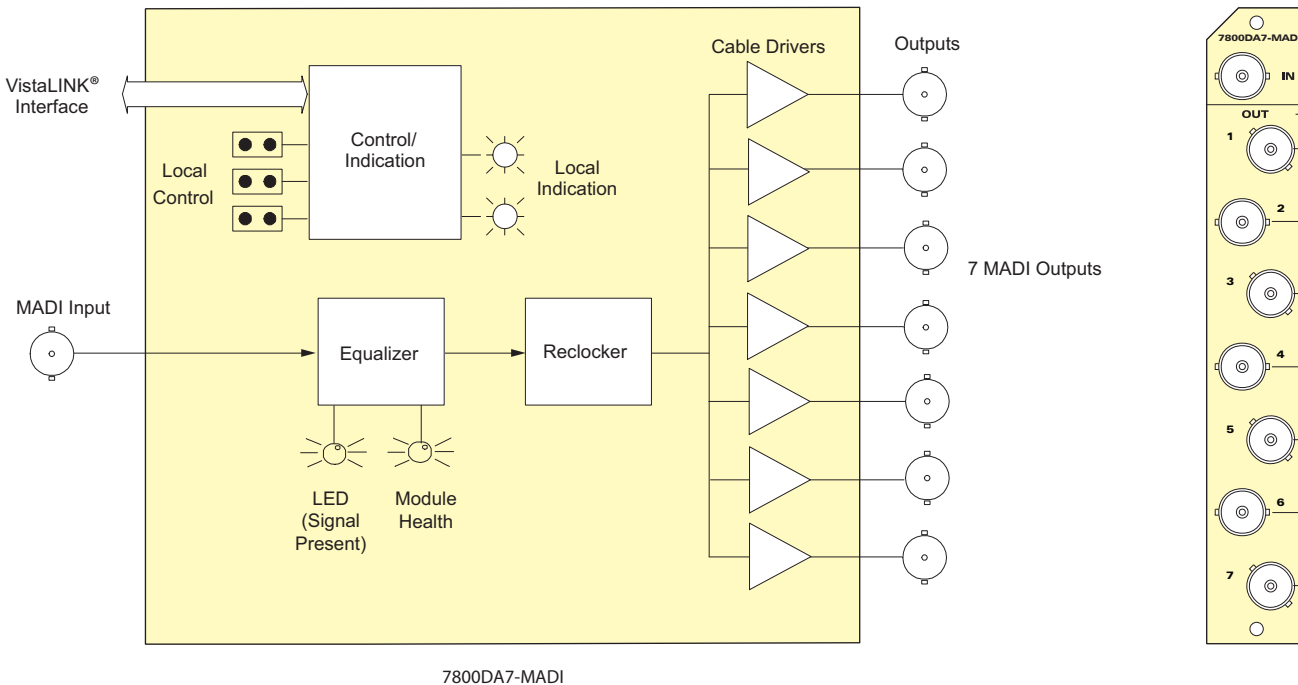
MADI supports all sampling rates and payloads as specified by AES10-2003. This includes industry standard 56 and 64 channel payloads at a 48 kHz sampling rate.

Features & Benefits

- Normal reclocked mode for AES10-2003 MADI signals
- Fully hot-swappable from front of frame with no BNC disconnect required
- Independent isolated output drivers to ensure no cross channel loading effects (ie. no need to terminate unused outputs)
- Tally output on Frame Status bus upon loss of input signal for quality monitoring
- VistaLINK® capable for remote monitoring via SNMP (using VistaLINK® PRO) when installed in 7800FR frame with a 7700FC VistaLINK® Frame Controller

- Input**
- AES10-2003 (125Mbs)
 - Auto equalization to 225m

- Outputs**
- 7 reclocked outputs
 - Jitter < 0.2 UI



Specifications

MADI Input	MADI Output	Electrical
Standard	Number of Outputs	Voltage
Connector	Connector	Power
Impedance	Impedance	EMI/RFI
Equalization	Rise and Fall Time	Physical
Signal Level	Signal Level	Number of Slots
	Jitter	

Ordering Information

7800DA7-MADI	MADI 1x7 Reclocking Distribution Amplifier	Enclosures
Ordering Options	Rear Plate must be specified at time of order (Eg. Model +3RU)	350FR 7700FR-C 7800FR 7801FR S7701FR
Rear Plate Suffix		Portable Multiframe which holds 7 single slot modules 3RU Multiframe which holds 15 single slot modules 3RU Multiframe which holds 15 single slot modules 1RU Multiframe which holds 4 single slot modules 7700 Series Standalone Enclosure
+3RU	3RU rear plate for use with 7800FR, 7801FR, 7700FR-C or 350FR Multiframes	
+SA	Standalone Enclosure rear plate	