

# 7800DA2T-3G, 7800DA2T-HD

## 3G/HD/SD-SDI Bypass Protected Distribution Amplifier 1x6 / 2-1x3

The 7800DA2T Dual 3G/HD/SD-SDI Reclocking Distribution Amplifier provides high quality distribution of facility 3G/HD/SD-SDI signals. HD versions support SMPTE ST 292-1 and SMPTE ST 259 signals while 3G versions also support SMPTE 424M signals. This module features dual auto-sensing equalized inputs with unparallelled cable equalization, making it the most-cost effective and ideal solution for long cable run environments. The included dual bypass relays offer failure proof protection for critical paths.

For maximum flexibility, the module can operate in a dual input to three outputs each configuration or as one input to six output configuration.

### Features & Benefits

- HD/SD-SDI dual input with three reclocked outputs per input
- Bypass relay protection included for both inputs
- Support for common 3G-SDI video inputs (-3G versions)
- Configurable as one DA with six outputs or two DAs with three outputs each (1x6 or 2 - 1x3)
- Industry leading long reach cable performance
- Input signal presence detection
- High density approach offers 14 modules within 3RU (28 DA's in 3RU)
- Real time VistaLINK® monitoring and trending for SNMP monitoring

The 7800DA2T is VistaLINK® enabled, offering remote monitoring, control and configuration capabilities via Simple Network Management Protocol (SNMP) giving the flexibility to manage operations, including signal monitoring and module configuration from SNMP capable control systems (Manager or NMS).

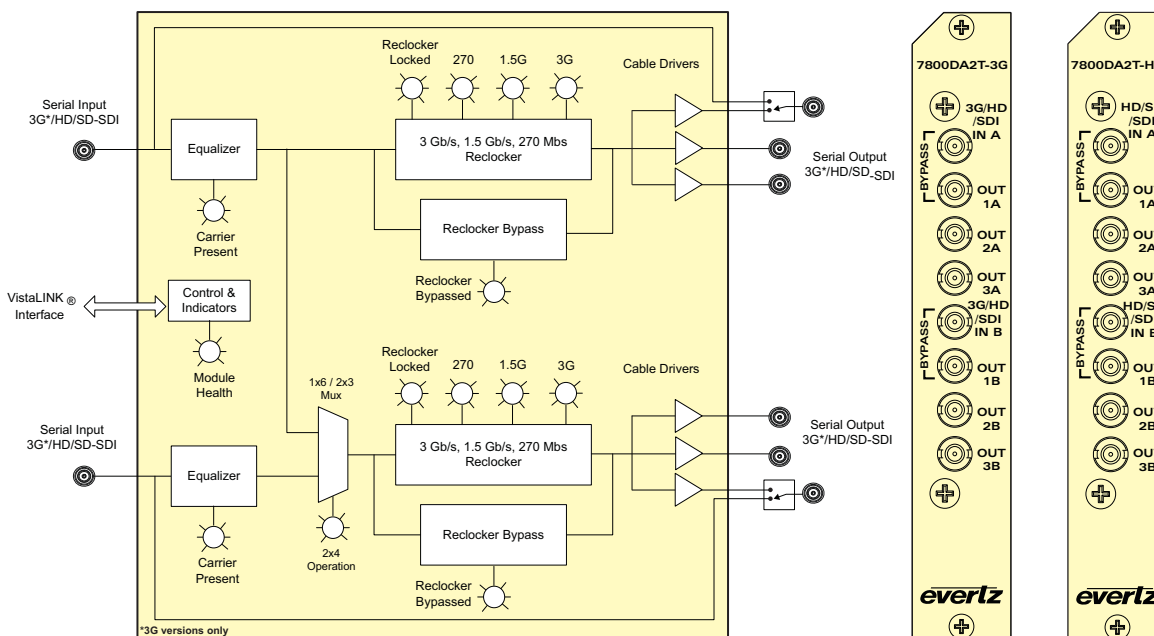
The 7800DA2T occupies one card slot and can be housed in the 3RU 7700FR-C, 7800FR and 7800FR-QT frames that have a 15-slot capacity. The 7700FC frame controller is required for configuration.

### Inputs

- Two independent inputs
- Reclocked 3G/HD/SD-SDI
- Non-Reclocked SMPTE ST 344-1 (540Mb/s), SMPTE ST 259-1 (360Mb/s, 143Mb/s), SMPTE ST 310-1 (19.4Mb/s), DVB-ASI
- Return Loss > 15dB to 1.5GHz and > 10dB up to 3GHz
- Auto-equalization to 150m at 3Gb/s, 200m at 1.5Gb/s and 380m at 270Mb/s

### Outputs

- Three reclocked outputs per input (or six reclocked outputs for one input)



### Specifications

#### Serial Video Input:

Standards:	Reclocked Mode: SMPTE ST 424 (3Gb/s) (-3G version) SMPTE ST 292-1 (1.5Gbs) SMPTE ST 259-1 (270Mb/s)
	Non-reclocked Mode: SMPTE ST 344-1 (540Mb/s) SMPTE ST 259-1 (360Mb/s, 143Mb/s) SMPTE ST 310-1 (19.4Mb/s), DVB-ASI
Connector:	2 BNC per IEC 61169-8 Annex A
Equalization:	Automatic to (with Belden 1694A or equivalent cable) 115m @ 3Gb/s 200m @ 1.5Gb/s 380m @ 270Mb/s
Return Loss:	> 10dB up to 3GHz > 15dB up to 1.5GHz

#### Serial Video Outputs:

Number of Outputs:	2 - 1x3 Mode: 3 reclocked from each input
	1x6 Mode: 6 reclocked from first input
Connector:	Din 1.0/2.3 connector
Signal Level:	800mV nominal
DC Offset:	0V +/- 0.5V
Rise & Fall Time:	3G/HD-SDI: 200ps SD-SDI: 900ps
Overshoot:	< 10% of amplitude
Return Loss:	> 15dB up to 1.5GHz > 20dB up to 270MHz
Wideband Jitter:	< 0.2 UI HD < 0.3 UI 3G

#### Electrical:

Voltage:	+12V DC
Power:	10W
EMI/RFI:	Complies with FCC Part 15 Class A EU EMC Directive

#### Physical (number of slots):

350FR:	1
7700FR-C:	1
7800FR:	1
7800FR-QT:	1
7801FR:	1

### Ordering Information

<b>7800DA2T-3G</b>	Dual 3G/HD/SD-SDI Reclocking Distribution Amplifier with dual bypass relays
<b>7800DA2T-HD</b>	Dual HD/SD-SDI Reclocking Distribution Amplifier with dual bypass relay

#### Rear Plate Suffix

<b>+3RU</b>	3RU Rear Plate for use with 350FR, 7700FR-C or 7800FR Multiframe
-------------	--

#### Enclosures

<b>350FR</b>	3RU Portable Multiframe which holds up to 7 single slot modules
<b>7700FR-C</b>	3RU Multiframe which holds up to 15 single slot modules
<b>7800FR</b>	3RU Multiframe which holds up to 15 single slot modules
<b>7800FR-QT</b>	3RU Quiet Multiframe which holds up to 15 single slot modules
<b>7801FR</b>	1RU Multiframe which holds up to 3 single or dual slot modules