

# 7780BPX-DS3

## 2x1 Protection Switch for DS3/E3 Signals

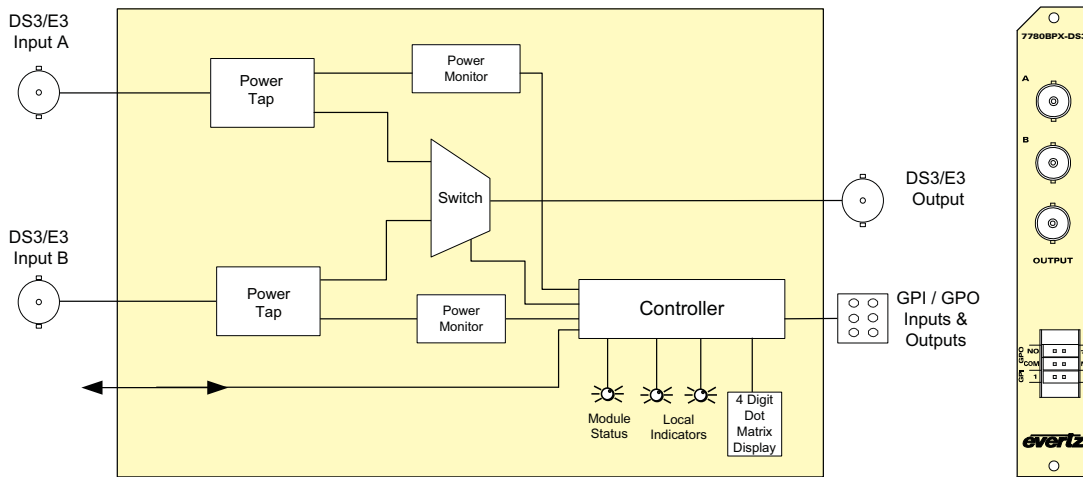


The 7780BPX-DS3 provides automatic changeover functionality for bypass protection of DS3 and E3 signals. Main and Standby inputs are provided, each with individual signal power measurement. If the power level of the Main input drops below the user-adjustable threshold, changeover to the Backup input will occur automatically. The switch may be configured to remain on the Backup input until the user sets the switch back to the Primary input, or the switch may be configured to automatically switch back to the Primary input once it has been detected that the signal has been restored. The switch may also be configured for manual switching operation, or switching via GPI or SNMP command.

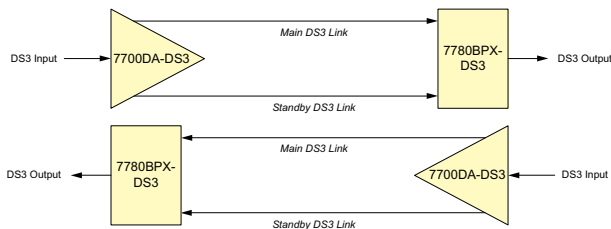
The 7780BPX-DS3 is VistaLINK® enabled for monitoring and control over SNMP. A card edge menu system is also provided for full local monitoring and control. This high-density product occupies only one card slot and can be housed in the 1RU 7801FR frame that holds up to four single or two dual slot modules, the 3RU 7800FR frame that has a 15 slot capacity, the portable 3RU 350FR frame which has a seven slot capacity, or a standalone enclosure, which holds a single module.

### Features & Benefits

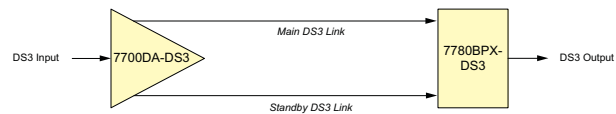
- High reliability, fully passive signal path maintains switch state and continues to pass signal in the event of loss of power to the card or frame
- User-definable power setting for switching threshold
- Flexible switching modes including automatic changeover or manual changeover using VistaLINK/SNMP or GPI
- GPI and GPO provided for switch position indication and custom master/slave switching arrangements



### Protected Bi-Directional DS3 Link Example



### Protected Uni-Directional DS3 Link Example



### Specifications

<b>Signal Input/Output:</b> Number of Inputs: 2 Number of Outputs: 1 Connector: BNC per IEC 61169-8 Annex A I/O Impedance: 75Ω Insertion Loss: < 2dB Return Loss: > 12dB Isolation: > 45dB	Connector: 2 pins plus ground on 6 pin terminal strip Signal Level: +5V Pullup: Low: -5V to +2.5V DC, High: 3.5V to 10V DC +12V Pullup: Low: -5V to +9.5V DC, High: 10.5V to 15V DC Maximum Sink Current: 15mA (input shorted to ground) Maximum Leakage Current for Input High: 200µA	<b>General Purpose Output:</b> Number of Outputs: 1 Type: "Dry Contact" relay contacts - normally open & normally closed contact provided Connector: 3 pins on 6 pin terminal strip <b>Electrical:</b> Voltage: 12VDC Power: 4 Watts <b>Physical (number of slots):</b> 1
<b>General Purpose Input:</b> Number of Inputs: 2 Type: Opto-isolated, active low with internal pull-ups to +5V		

### Ordering Information

<b>7780BPX-DS3</b>	2x1 Protection Switch for DS3/E3 Signals
<b>Ordering Options</b>	Rear must be specified at time of order (Eg: Model+3RU)
<b>Rear Plate Suffix</b>	
<b>+3RU</b>	3RU rear plate for use with 7800FR, 7801FR, 7700FR-C or 350FR Multiframes
<b>+1RU</b>	1RU rear plate for use with 7701FR Multiframe
<b>+SA</b>	Standalone Enclosure Rear Plate

**Enclosures**  
**350FR**  
**7700FR-C**  
**7800FR**  
**7701FR**  
**S7701FR**

Portable Multiframe which holds 7 single slot modules  
 3RU Multiframe which holds 15 single slot modules  
 3RU Multiframe which holds 15 single slot modules  
 1RU Multiframe which holds 3 single slot modules  
 7700 Series Standalone Enclosure