

7780ASIB2-DS3/E3

Dual Channel, Bi-directional ASI + Ethernet over DS3/E3 Transceiver



The 7780ASIB2-DS3/E3 can transport up to two DVB-ASI signals, bi-directionally on a DS3/E3 circuit. Additional capability allows for a bidirectional 10/100 Ethernet connection which can be used for control and monitoring remote equipment.

The most common and affordable telco line is a DS3/E3 which offers enough bandwidth to carry one SD or HD compressed signal for contribution or multiple SD or HD compressed signals for distribution.

The 7780ASIB2-DS3/E3 offers a flexible way to receive up to two ASI on a single DS3. It also offers the capability for a bidirectional 10/100 Ethernet connection that can be used for control and monitoring remote equipment.

The 7780ASIB2-DS3/E3 is paired with the 7780ASIB2-DS3/E3 ASI transmitter over DS3/E3. (Evertz® offers a MPEG over IP option for output of the transport stream).

Features & Benefits

Inputs and outputs

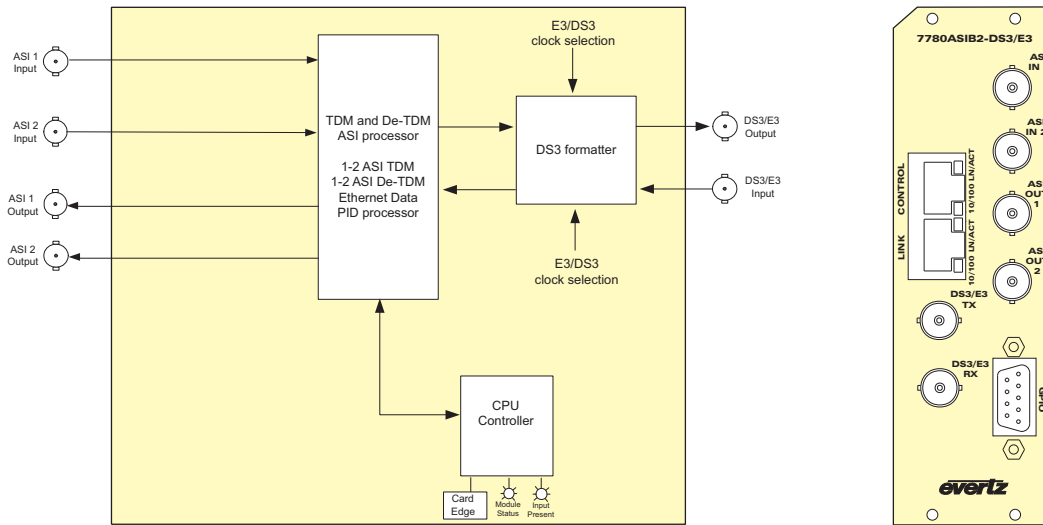
- Two bi-directional ASI
- DS3/E3 I/O on Line side
- 10/100 Bi-directional Ethernet data channel
- DS3 or E3 (Software selectable) I/O

Processing:

- TDM mux/demux of up to two bi-directional ASI and 10/100 Ethernet for transport over DS3/E3 with adjustable bandwidth limiting on Ethernet and ASI ports

Control and monitoring:

- DS3I input monitoring
- VistaLINK® PRO enabled with full SNMP control and monitoring



Specifications

Inputs and outputs:

- Up to 2 ASI outputs per DVB TR 101 891-270Mb/s
 - Min ASI TS output bitrate 100Kb/s,
 - Max total ASI TS output bitrate 40Mb/s
- Support 188 and 204 bytes packets
- DS3/E3 input following G703 DS3@44.736Mb/s and E3@34.368Mb/s. BNC connector

- DS3/E3 output following G703 DS3@44.736Mb/s and E3@34.368Mb/s.
- 10/100 Ethernet connection with 40Mb/s data max full duplex or half duplex
- 10/100 Ethernet control port for SNMP monitoring and control

Control and monitoring:

- DS3 test includes:
- Signal presence
 - Syntax error
 - Bandwidth usage

Ordering Information

7780ASIB2-DS3/E3 Dual ASI Bi-directional link over DS3/E3

Ordering Options Rear Plate must be specified at time of order (Eg: Model + 3RU)

Rear Plate Suffix
+3RU 3RU Rear Plate for use with 350FR & 7700FR-C Multiframe

Enclosures

7800FR
7801FR

3RU Multiframe which holds up to 15 single slot modules
1RU Multiframe which holds up to 4 single or 2 dual slot modules

