

# 7760CCM-HD

## HD/SD-SDI Closed Caption CEA-608 & CEA-708 Translator



The 7760CCM-HD Closed Caption module is a CEA-608 to CEA-708 closed caption translator, decoder and analyzer that extends the signal monitoring capabilities of the Evertz® monitoring product line by focusing on closed captions and extended data services (XDS).

The 7760CCM-HD has the capability to translate CEA-608 closed captions to CEA-708 closed captions, providing a flexible and cost-effective solution for both caption domains. The module supports the ability to format closed caption data into SMPTE 333M or Grand Alliance format for RS-232 closed caption transfer.

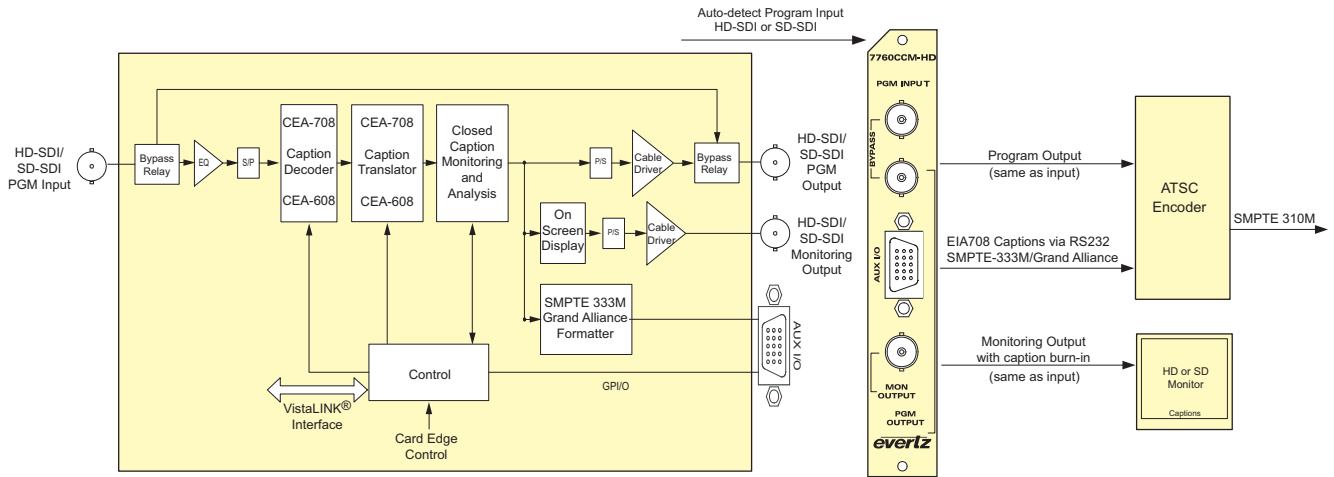
The auto-detecting program input supports both high and standard definition video formats, and comes equipped with a bypass relay, which will maintain the video program path in the event of a power failure.

The 7760CCM-HD provides both a CEA-608 and CEA-708 closed caption decoder. The 7760CCM-HD also provides a detailed and comprehensive status display to the current state of the closed caption data. This status display can inform operators quickly if an error was detected.

The 7760CCM-HD occupies one card slot and can be housed in either a 1RU frame which will hold up to four modules, a 3RU frame which will hold up to 15 modules, 3RU portable frame that holds up to seven modules or a standalone frame which will hold one module.

### Features & Benefits

- CEA-608 to CEA-708 closed caption translator
- Support for SMPTE ST 333-1 and Grand Alliance Protocol for convenient interface to ATSC Encoders
- Built in bypass relay on program video output path
- Auto-detecting SMPTE ST 259-1-C and SMPTE ST 292-1 program video input
- Monitoring output decodes and displays CEA-608 or CEA-708 closed captions
- XDS packet insertion onto the program video output
- Broadcast flag insertion
- Decodes XDS packets containing TSID, CGMS-A, Program ID, Time in Show, Program Name, Program Type, V-Chip Rating, Program Description, Network Name, Station ID, Time of Day and Time of Zone
- Closed caption line shift (up and/or down) via GPI trigger for SD line 21
- User configurable presets
- VistaLINK® capable for remote monitoring, control and configuration capabilities via SNMP; using VistaLINK® PRO, CP-2116E or CP-2232E Control Panels. VistaLINK® is available when modules are used with the 3RU 7800FR frame and a 7700FC VistaLINK® Frame Controller module in slot 1 of the frame



### Specifications

<b>Serial Video Input:</b> Standard: Auto-sensing SMPTE ST 259-1-C, SMPTE ST 292-1 Number of Inputs: 1 Connector: BNC per IEC 61169-8 Annex A Equalization: Automatic to 100m @ 1.5Gb/s with Belden 1694A (or equivalent) Automatic to 250m @ 270Mb/s with Belden 1694A (or equivalent) Return Loss: >10dB up to 1.5 Gb/s	Rise and Fall Time: 740ps nominal @ SMPTE ST 259-1-C 200ps nominal @ SMPTE ST 292-1 Overshoot: < 10% of amplitude Return Loss: > 10dB up to 1.5Gb/s Wideband Jitter: < 0.2 UI Impedance: 75Ω	<b>Serial Port:</b> Standard: RS-232 Connector: Female Baud Rate: 19200/38400/57600 Format: 8-bits, no parity, 1 stop bits and no flow control
<b>Program Output:</b> Standard: Same as input Number of Outputs: 1 Connector: BNC per IEC 61169-8 Annex A Signal Level: 800mV nominal DC Offset: 0V ±0.5V	<b>General Purpose Interface:</b> Number of Inputs: 4 Number of Outputs: 2 Type: Opto-isolated, active low with internal pull-ups to +5V Connector: Female High Density DB-15 Signal Level: +5V nominal	<b>Electrical:</b> Voltage: +12V Power: 12W EMI/RFI: Complies with FCC Part 15, Class A EU EMC Directive
<b>Physical (number of slots):</b> 1		

### Ordering Information

<b>7760CCM-HD</b>	HD-SDI/SD-SDI Closed Caption CEA-608 / CEA-708 Translator	<b>Accessories</b>	
<b>Ordering Options</b>	Rear Plate must be specified at time of order (Eg: Model +3RU)	<b>7700FC</b>	VistaLINK® Frame Controller
		<b>CP-2116E-H</b>	Remote Control Panel
		<b>CP-2232E</b>	Remote Control Panel
<b>Rear Plate Suffix</b>		<b>Enclosures</b>	
<b>+3RU</b>	3RU Rear Plate for use with 350FR, 7700FR-C or 7800FR Multiframe	<b>350FR</b>	3RU Portable Multiframe which holds up to 7 single slot modules
<b>+SA</b>	Standalone Enclosure Rear Plate	<b>7700FR-C</b>	3RU Multiframe which holds up to 15 single slot modules
		<b>7800FR</b>	3RU Multiframe which holds up to 15 single slot modules
		<b>S7701FR</b>	Standalone enclosure

The Complete Solution Provider

