

7760AVM2 & 7760AVM2-HD

HD/SD Video & Audio Monitoring / Conversion



The 7760AVM2 series of video and audio monitoring cards perform a number of quality control and monitoring functions associated with a modern high definition and standard definition serial digital television facility. They perform audio and ancillary data (for HD) or vertical blanking interval (VBI) data (for SDI) demultiplexing from the incoming digital video, analyze the data and display key information about the data on the output video. The outputs are either analog and/or digital video with analog or digital audio.

The 7760AVM2 series modules are available in SD-only versions (7760AVM2-A and 7760AVM2-B) and a combination HD/SD version (7760AVM2-HD).

The 7760AVM2 series modules can be ordered with a 7760AVM-BHP Bulkhead Breakout Panel. This panel is an accessory that provides a convenient way of connecting the audio and GPIO signals into the high-density DB-15 connectors on the rear of the modules. This panel is available for five or ten 7760AVM2s and includes 3ft cables to connect to the 7760AVM2 modules.

Features & Benefits

- One group (4 channels of audio) is demultiplexed from the incoming digital video and VU/PPM level Indicators are keyed as bar graphs in over the picture
- 4 analog audio outputs available for content monitoring
- Analog audio output levels are adjustable
- Analog audio outputs can be set so both are mono mix of the selected channel pair
- Decodes Line 21 XDS packets from SD signals and displays network name, call letters, program name and time of day
- Decodes Widescreen Signaling (WSS), Video Indexing, Active Format Description (AFD), subtitles, and teletext for monitoring
- Displays program rating (V-Chip)
- Decodes CEA-608 closed captions from SD signals and displays on screen
- Decodes vertical interval time code (VITC) from SD signals and "burns" the time code into the picture
- A comprehensive on-screen display is available to configure the various features of the module
- Flexible configuration of the text and audio bar graph information displays
- An extensive list of error conditions can be monitored and fault conditions can be configured from these conditions
- On-screen messages can be triggered by the configured fault conditions
- Two GPI inputs are available to modify the display characteristics
- GPO output to indicate user-definable fault conditions
- Audio and GPI/Os are available on a high density DB15 connector
- 7760AVM-BHP bulkhead panel is available to facilitate wiring to the high density DB15 connector (up to 10 AVM2 modules can be wired using each bulkhead panel)
- RS-232 Data logging port to log fault conditions
- VistaLINK® - capable offering remote control and configuration capabilities via SNMP using VistaLINK® Pro
- VistaLINK® is available when modules are used with the 3RU 7800FR frame and a 7700FC VistaLINK® Frame Controller

The 7760AVM2 series modules occupy one card slot in the 3RU frame (7800FR), which will hold up to 15 modules or one slot in the 1RU frame (7801FR), which will hold up to four modules. The 7760AVM2 series modules may also be used in a standalone unit (S7701FR).

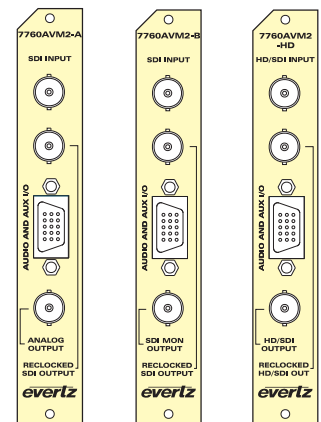
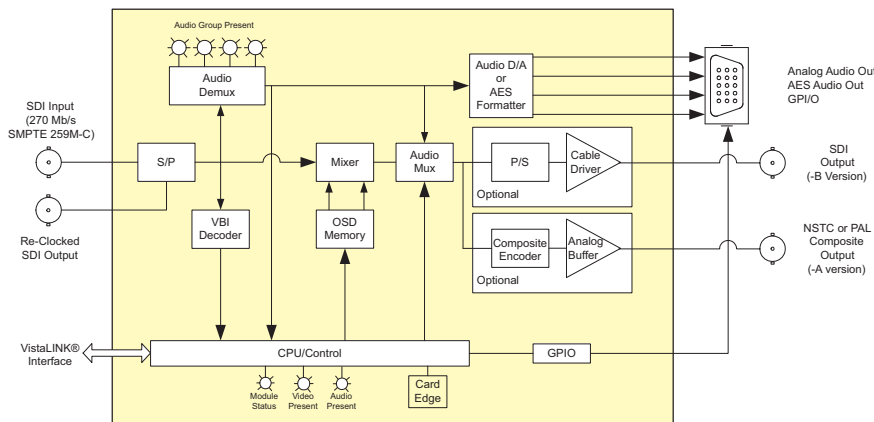
VistaLINK® enables control and configuration capabilities via Simple Network Management Protocol (SNMP). This offers the flexibility to manage the module status monitoring and configuration from SNMP - enabled control systems such as Evertz VistaLINK® PRO locally or remotely.

Features (7760AVM2-A and 7760AVM2-B versions only)

- One 270Mb/s SDI 525i/59.94 or 625i/50 video input
- One re-clocked SDI video output
- One SDI video output with superimposed monitoring information (-B version only)
- Composite analog output video with superimposed monitoring information (-A version only)
- Decodes PESA format Source ID (8 characters) or Evertz format VITC Source ID (5 or 9 characters) from SDI signals and burns the ID into the picture

Features (7760AVM2-HD version only)

- One auto sensing video input - supports 1080i/60, 1080i/59.94, 1080i/50, 720p/60, 720p/59.94, 720p/50, 525i/59.94 or 625i/50
- One re-clocked HD or SD video output (same as input)
- One HD or SD (same as input) video output with superimposed monitoring information
- Decodes RP188 Ancillary time code (ATC) from HD signals or vertical interval time code (VITC) from SD signals and "burns" the time code into the picture
- Optionally decodes PESA format Source ID (8 characters) or Evertz format VITC Source ID from SDI signals, or Evertz format ATC Source ID from HD signals and burns the ID into the picture (with +SID option)
- Decodes CEA-708 closed captions from HD signals and displays on screen



The Complete Solution Provider



7760AVM2 & 7760AVM2-HD

HD/SD Video & Audio Monitoring / Conversion



Specifications

Serial Video Digital Input:		Analog Video Output (7760AVM2-A only):		Audio Bar Graphs:	
Standards:	Auto detect or menu selectable SMPTE ST 292-1 (1.5Gb/s): 1080i/60, 1080i/59.94, 1080i/50, 720p/60, 720p/59.94 and 720p/50 - 7760AVM2-HD only SMPTE ST 259-C (270Mb/s): 525i/59.94 or 625i/50	Standard:	NSTC, SMPTE 170M; PAL, ITU-R BT.1700	Number of Graphs:	4 (1 group)
Number of Inputs:	1	Number of Outputs:	1	Ballistics:	AES/EBU, DIN, BBC and Nordic N9
Connector:	BNC per IEC 60169-8 Amendment 2	Connector:	BNC per IEC 60169-8 Amendment 2	General Purpose Interface I/O (GPI/GPO):	
Input Equalization:	Automatic to 200m @ 270Mb/s with Belden 8281 or equivalent cable Automatic to 115m @ 1.5Gb/s with Belden 1694A or equivalent cable	Signal Level:	1V nominal	Number of Inputs:	2 (behavior is assigned via on- screen menu items)
Return Loss:		DC Offset:	0V ±0.1V	Number of Outputs:	1 (behavior is programmable via on-screen menu items)
SD Standards:	> 15 dB up to 270Mb/s	Return Loss:	> 35dB up to 5MHz	Type:	Opto-isolated, active low with internal pull-ups to +5V
HD Standards:	> 15 dB up to 1.5Gb/s	Frequency Response:	0.8dB to 4MHz	Connector:	Female High Density DB-15
Serial Video Digital Output:		Differential Phase:	< 0.9° (< 0.6° typical)	Signal Level:	+5V nominal
Standard:	Same as input	Differential Gain:	< 0.9% (< 0.5% typical)	Data Logging Serial Port:	
Number of Outputs:	1 Reclocked (all models) 1 Monitored (7760AVM2-B and 7760AVM2-HD)	SNR:	> 56dB to 5MHz (shallow ramp)	Standard:	RS-232
Connector:	BNC per IEC 60169-8 Amendment 2	THD+N:	65dB @ 1kHz, 0dB FS, typical	Connector:	Female High Density DB-15
Signal Level:	800mV nominal	Analog Audio Outputs:		Baud Rate:	57,600
DC Offset:	0V ±0.5V	Number of Outputs:	4	Format:	8-bits, no parity, 2 stop bits and no flow control
Rise and Fall Time:		Type:	Balanced Analog Audio	Physical:	
SD Standards:	470ps nominal	Connectors:	Female High Density DB-15	Number of slots:	1
HD Standards:	200ps nominal	Output Impedance:	33Ω	Electrical:	
Overshoot:	< 10% of amplitude	Sampling Frequency:	48kHz	Voltage:	+12V DC
		Signal Level:	0dB FS [8 to 24dBu (user settable) NOTE: High impedance loads only (10KΩ) Not good for low impedance loads (i.e. 600Ω)	Power:	12W
		Frequency Response:	50Hz to 20kHz ±0.20dB	EMI/RFI:	Complies with FCC Part 15, Class A EU EMC Directive
		SNR:	> 85dB (50Hz to 20kHz)		
		THD+N:	65dB @ 1kHz, 0dB FS, typical		
		AES Audio Outputs:			
		Number of Outputs:	2		
		Standard:	SMPTE 276M compatible, single ended synchronous or asynchronous AES		
		Connectors:	High-density female DB-15		
		Resolution:	24 bits		
		Sampling Rate:	48kHz		
		Impedance:	75Ω unbalanced		

Ordering Information

7760AVM2-A to B	SDI Video & Audio Monitor/Conversion with On-Screen Display (Single Slot) with Teletext subtitle decoder	Accessories	
7760AVM2-HD	HD Video & Audio Monitoring	7760AVM-BHP-10	Bulkhead Breakout panel for 10 AVMs includes 10 WPAVMIO-1-0-3F - 3ft cables
Ordering Options	Rear Plate must be specified at time of order (Eg: Model +3RU)	7760AVM-BHP-5	Bulkhead Breakout panel for 5 AVMs includes 5 WPAVMIO-1-0-3F - 3ft cables
+SID	Source ID Decoder option for 7760AVM2-HD	7700FC	VistaLINK® Frame Controller
Rear Plate Suffix		Enclosures	
+3RU	3RU Rear Plate for use with 7700FR-C, 7800FR or 7800FR-QT Multiframe	7700FR-C	3RU Multiframe which holds up to 15 single slot modules
+SA	Standalone Enclosure Rear Plate	7800FR	3RU Multiframe which holds up to 15 single slot modules
		7800FR-QT	3RU Quiet Multiframe which holds up to 15 single slot modules
		7801FR	1RU Multiframe which holds up to 4 single slot modules
		S7701FR	Standalone enclosure