

# 7750TG

## SD-SDI Test Signal Generator

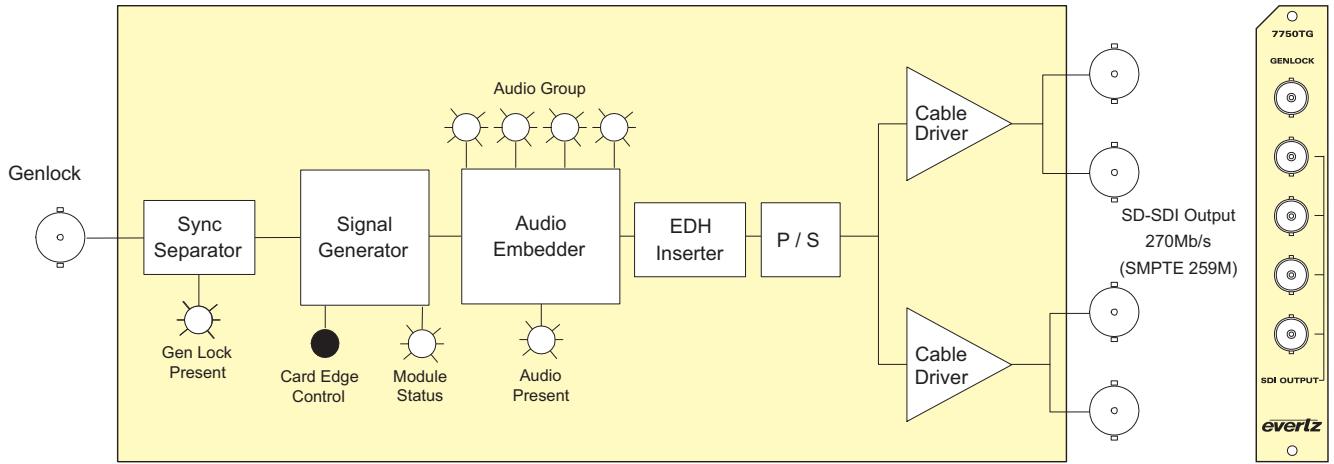
The 7750TG Test Signal Generator provides a cost-effective method of generating 270Mb/s serial digital test signals. The 7750TG is ideal for checking signal path integrity, monitor alignment or to determine system performance over varying cable lengths. The 7750TG generates a wide variety of industry standard test signals in 525 line and 625 line SMPTE ST 259-C video formats and offers four 270Mb/s outputs. Error detection and handling (EDH) codes are embedded on all the outputs to allow you to verify the performance of your digital signal paths.

The 7750TG provides an analog genlock input that allows you to synchronize the test signals to your plant horizontal and vertical timing.

Separate audio tones can be embedded into each channel of one of the four embedded audio groups. The user can select which of the audio groups the tones will be embedded into. The audio level is fixed at -20dB full scale.

### Features & Benefits

- 525 line and 625 line formats
- Card edge toggle switch selects test signal
- On-screen display of test signal names
- 4 embedded audio tones, selectable audio group assignment
- 4 output drivers
- On-screen text message can be used for source identification
- On-screen setup menu
- Card edge LEDs indicate genlock presence and module health



### Specifications

<b>Genlock Input:</b> Type: NTSC or PAL Color Black 1V p-p Composite Bi-level sync (525 Line or 625 Line) 300mV Connector: 1 BNC per IEC 61169-8 Annex A Termination: 75Ω (jumper selectable)	<b>Serial Video Output:</b> Standard: SMPTE ST 259-C (270Mb/s) Embedded Audio: Up to 4 tones in one audio group as specified in SMPTE ST 272. Selectable tone frequencies (from 60Hz to 10kHz) and audio group. Audio level is set to 20dB full scale Number of Outputs: 4 Connectors: 4 BNC per IEC 61169-8 Annex A Signal Level: 800mV nominal DC Offset: 0V ±0.5V Rise and Fall Time: 740ps nominal Overshoot: < 10% of amplitude Wide Band Jitter: < 0.2 UI	<b>Electrical:</b> Voltage: +12V DC Power: 6W EMI/RFI: Complies with FCC Part 15, Class A, EU EMC Directive <b>Physical:</b> 350FR: 7700FR-C: 1 7800FR: 1
---	--	--

### Ordering Information

<b>7750TG</b>	SD-SDI Test Signal Generator	<b>Enclosures</b>	
<b>Ordering Options</b>	Rear Plate and Fiber Connector must be specified at time of order (Eg. Model +3RU)	<b>350FR</b>	3RU Portable Multiframe which holds up to 7 single slot modules
<b>Rear Plate Suffix</b>		<b>7700FR-C</b>	3RU Multiframe which holds up to 15 single slot modules
<b>+3RU</b>	3RU Rear Plate for use with 350FR, 7700FR-C or 7800FR Multiframe	<b>7800FR</b>	3RU Multiframe which holds up to 15 single slot modules
<b>+SA</b>	Standalone Enclosure Rear Plate	<b>7801FR</b>	1RU Multiframe which holds up to 4 single or 2 dual slot modules
		<b>S7701FR</b>	Standalone enclosure

The Complete Solution Provider

