

7732DVP-HD

HD Dual Link Video Processor

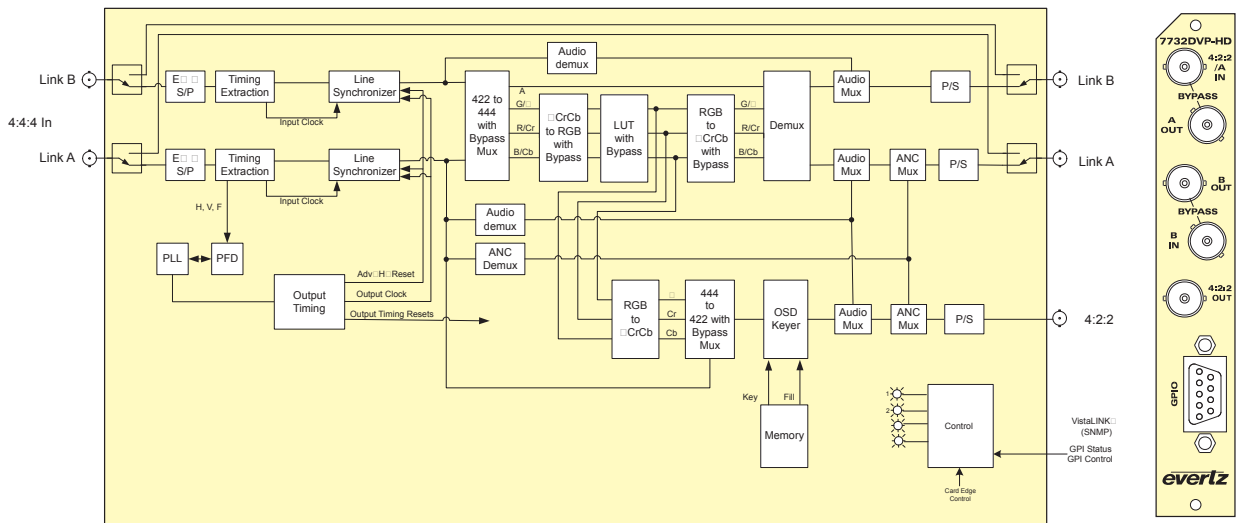


The 7732DVP-HD Dual Link Video Processor module is a multi-purpose module designed to convert between 4:2:2 and 4:4:4 HDTV video signals in a wide variety of applications. The model 7732DVP-HD can be operated in a dual link to single link mode for 4:4:4 high definition applications, or a 4:2:2 to 4:4:4 mode to convert traditional high definition content to 4:4:4.

The 7732DVP-HD occupies one card slot in the 3 RU frame, which will hold up to 15 modules or the 1RU frame, which will hold up to two modules.

Features & Benefits

- Automatically senses between 1080i/60, 1080i/50, 1080p/24sF, 720p/60, 720p/50 video formats and the 1/1.001 divisor versions where applicable
- 4:4:4 Dual Link HD-SDI to 4:2:2 HD-SDI converter
- 4:2:2 HD-SDI to 4:4:4 Dual Link HD-SDI converter
- 4:4:4 Dual Link HD-SDI to 4:4:4 HD-SDI with LUTs
- Two serial digital 1.5Gb/s HD inputs per SMPTE ST 292-1
- Three serial digital 1.5Gb/s HD outputs per SMPTE ST 292-1
- Bypass relay protection on inputs for power failures
- Re-timed 4:4:4 dual link outputs
- Programmable LUTs for 4:4:4 and 4:2:2 HD-SDI to accommodate different colorimetry between monitoring devices
- Factory LUTs handle logarithmic 'filmstream' inputs from VIPER and ARRI D20 cameras
- Store/recall user presets of common configurations - up to 10 presets
- Six GPI control inputs to select operating modes or load user presets
- Two GP0 status outputs indicate operating modes - programmable functions
- Card edge menu using OSD on 4:2:2 output to configure the operating modes
- Card Edge LEDs for signal presence, module status
- VistaLINK® capable for remote monitoring, control and configuration capabilities via SNMP; using VistaLINK® PRO, CP-2116E or CP-2232E Control Panels. VistaLINK® is available when modules are used with the 3RU 7800FR frame and a 7700FC VistaLINK® Frame Controller module in slot 1 of the frame



Specifications

Serial Video Input: Standard: SMPTE ST 372 (dual Link 1.5Gb/s) or SMPTE ST 292-1 (1.5Gb/s) - auto-detects standard using SMPTE ST 352 Payload ID SMPTE ST 274, SMPTE ST 296 1080i/60, 1080i/50, 1080p/24sF, 720p/60, and 720p/50 and the 1/1.001 divisor versions where applicable SMPTE ST 428-9, SMPTE ST 2048-2 - 2048 x 1080p/24sF Number of Inputs: 1 dual link or 1 single link Connector: BNC per IEC 61169-8 Annex A Input Equalization: Automatic to 65m @ 1.5Gb/s with Belden 1694A or equivalent cable Return Loss: > -15dB up to 1.5GHz	Serial Video Outputs: Standard: Same as input Number of Outputs: 2 dual link outputs (bypass relay protected to inputs) 1 single link output Connector: BNC per IEC 61169-8 Annex A Signal Level: 800mV nominal DC Offset: 0V ±0.5V Rise and Fall Time: 200ps nominal Overshoot: < 10% of amplitude Return Loss: > -10dB at 1.5Gb/s (4:4:4 outputs) > -6dB at 1.5Gb/s (4:2:2 output) Jitter: < 0.2UI Payload ID: SMPTE ST 352 GPIO Control Port: Number of Inputs: 6 Programmable functions Number of Outputs: 2 Programmable functions Type: Opto-isolated, active low with internal pull-ups to +5 or +12V (jumper settable) Connector: 9-pin female D	Signal Level: closure to ground Look Up Tables: Type: 10-bit 1-D LUT Number: 5 factory programmed 5 User loadable User Upload: RS-232, 57600 baud using card edge connector Input to Output Processing Delay (HD input video): Video Delay: 2 lines Electrical: Voltage: +12V DC Power: 10W EMI/RFI: Complies with FCC regulations for class A devices Complies with EU EMC directive Physical: 350FR: 1 7700FR-C: 1 7800FR: 1
---	---	---

Ordering Information

7732DVP-HD	HD Dual Link Video Processor	Accessories	
Ordering Options	Rear Plate must be specified at time of order (Eg: Model +3RU)	7700FC	VistaLINK® Frame Controller
Rear Plate Suffix		CP-2116E-H	Remote Control Panel
+3RU	3RU Rear Plate for use with 350FR, 7700FR-C or 7800FR Multiframe	CP-2232E	Remote Control Panel
+SA	Standalone Enclosure Rear Plate	Enclosures	
		350FR	3RU Portable Multiframe which holds up to 7 single slot modules
		7700FR-C	3RU Multiframe which holds up to 15 single slot modules
		7800FR	3RU Multiframe which holds up to 15 single slot modules
		S7701FR	Standalone enclosure

The Complete Solution Provider