



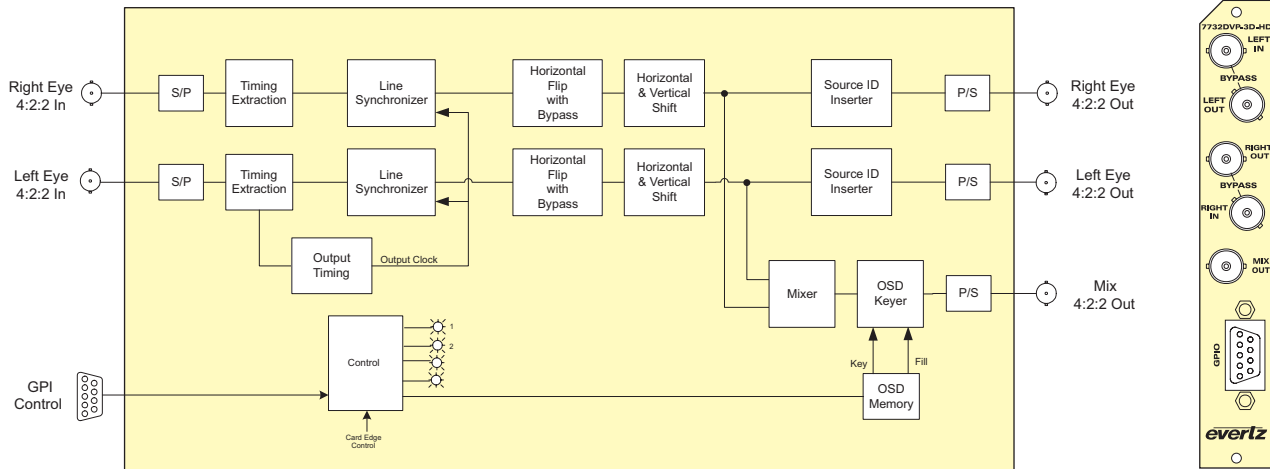
The 7732DVP-3D-HD Video Processor module is a multi-purpose module designed specifically to aid in the production and post production of 3D high definition video productions.

The 7732DVP-3D-HD occupies one card slot in the 3 RU frame, which will hold up to 15 modules or the 1RU frame, which will hold up to three modules.

This 7700 series module provides for Left eye and Right eye inputs and processed outputs. In addition it also provides a mix output that is a combination of the left eye and right eye.

► Features & Benefits

- Two serial digital 1.5Gb/s HD inputs per SMPTE 292M
- Three serial digital 1.5Gb/s HD outputs per SMPTE 292M
- Supports most international standards including 1080i/60, 1080i/59.94, 1080i/50, 1080p/24sF, 1080p/23.98sF, 1080p/30, 1080p/29.97, 1080p/25, 1080p/24, 1080p/23.98, 720p/60, 720p/59.94, 720p/50
- Horizontal flip can be applied to left or right eye input
- Programmable left or right horizontal shift can be applied to either left or right eye inputs
- Programmable up or down vertical shift can be applied to either left or right eye inputs
- Mix output provides a processed combination of the left and right eyes in the following modes - 50/50 linear mix, left - right difference, horizontal 50/50 split
- Left and right eye source ID embedded in ATC user bits on left and right eye outputs - requires 7760AVM2-HD+SID decoder card to view the source ID codes
- 8 Programmable GPI control inputs - select mix modes, adjust horizontal and vertical shift
- Card edge menu using OSD on Mix output to configure the operating modes
- Card Edge LEDs for signal presence, module status



► Specifications

| | | |
|---|--|---|
| Serial Video Inputs: Standard: 1.485Gb/s SMPTE 292M auto-detects standard SMPTE 274M, SMPTE 296M - 1080i/60, 1080i/59.94, 1080i/50, 1080p/24sF, 1080p/23.98sF, 1080p/30, 1080p/29.97, 1080p/25, 1080p/24, 1080p/23.98, 720p/60, 720p/59.94, 720p/50 Number of Inputs: 2 Connector: 2 BNC per IEC 61169-8 Annex A Input Equalization: Automatic to 65m @ 1.5Gb/s with Belden 1694A or equivalent cable Return Loss: >12dB up to 1.5GHz | Serial Video Outputs: Standard: Same as input Number of Outputs: 2 Program outputs 1 Mix output Connector: BNC per IEC 61169-8 Annex A Signal Level: 800mV nominal DC Offset: 0V ±0.5V Rise and Fall Time: 200ps nominal Overshoot: < 10% of amplitude Return Loss: > 15dB at 1.5Gb/s Jitter: < 0.16UI (HD) | Input to Output Processing Delay (HD Input Video): Video Delay: 2 lines Electrical: Voltage: +12V DC Power: 10W EMI/RFI: Complies with FCC regulations for Class A devices Complies with EU EMC directive Physical: 350FR: 1 7700FR-C: 1 7800FR: 1 |
| GPI Control Port: Number of Inputs: 8 Type: Opto-isolated, active low with internal pull-ups to +5 or +12V (jumper settable) Connector: 9-pin female D Signal Level: closure to ground | | |

► Ordering Information

7732DVP-3D-HD 3D HD Video Processor

Ordering Options Rear Plate must be specified at time of order
 Eg: Model +3RU

Rear Plate Suffix
+3RU 3RU Rear Plate for use with 350FR, 7700FR-C or 7800FR Multiframe
+1RU 1RU Rear Plate for use with 7701FR Multiframe
+SA Standalone Enclosure Rear Plate

Enclosures
350FR
7700FR-C
7800FR
7801FR
7701FR
S7701FR

3RU Portable Multiframe which holds up to 7 single slot modules
 3RU Multiframe which holds up to 15 single slot modules
 3RU Multiframe which holds up to 15 single slot modules
 1RU Multiframe which holds up to 4 single or 2 dual slot modules
 1RU Multiframe which holds up to 3 single or dual slot modules
 Standalone enclosure