

7731DAC-HD

HD SDI to HD Component Analog or (optional VGA) Converter

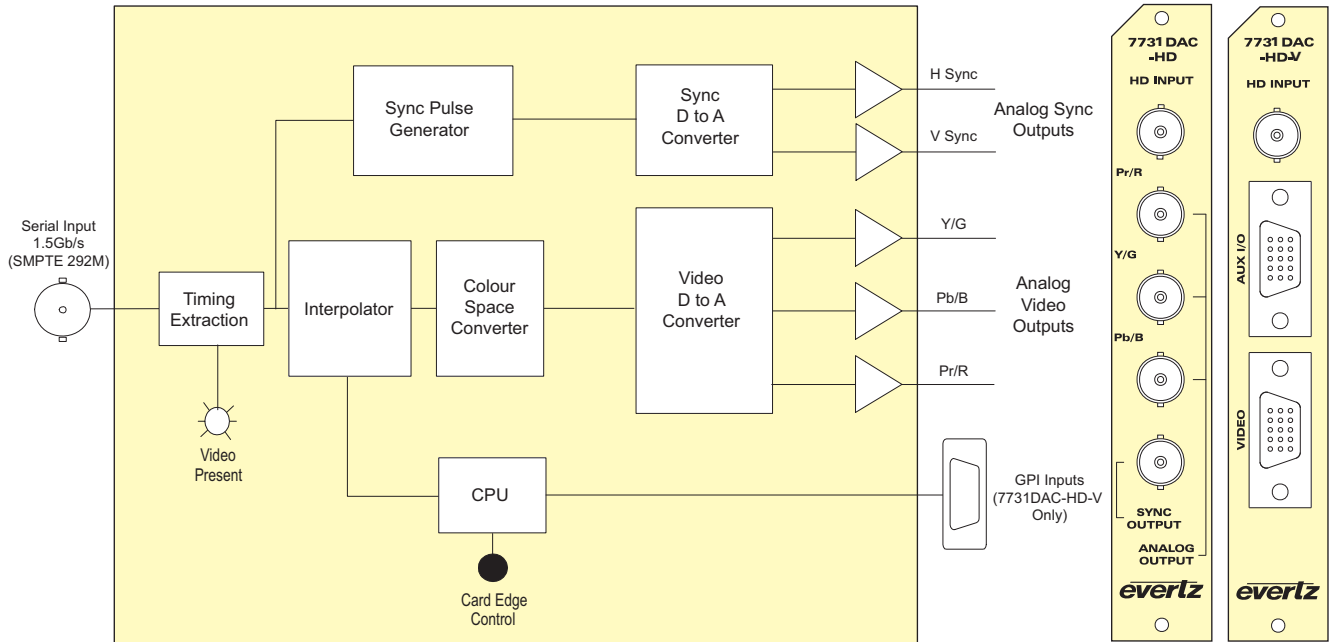


The 7731DAC-HD is a professional quality digital to analog converter for HDTV. The 7731DAC-HD supports all signal standards specified in SMPTE ST 274 and SMPTE ST 296.

Card edge control allows the user to select RGB, YPrPb or VGA outputs. User-controlled 4:3 alignment markers also allow for convenient framing of the video signal. The 7731DAC-HD is available in two versions to easily interface to standard broadcast monitors or VGA computer monitors.

Features & Benefits

- Support for all SMPTE ST 274 and ST 296 video formats
- Full 10-bit Broadcast quality
- 4:4:4 Interpolated Component Output
- Card edge selectable YPrPb/RGB/VGA outputs
- GPI controllable 4:3 alignment markers
- Optional rear connector plates for use with VGA computer monitors
- VistaLINK® capable for remote monitoring, control and configuration capabilities via SNMP; using VistaLINK® PRO, CP-2116E or CP-2232E Control Panels. VistaLINK® is available when modules are used with the 3RU 7800FR frame and a 7700FC VistaLINK® Frame Controller module in slot 1 of the frame



Specifications

Serial Video Input: Standard: ST 292-1 Connector: BNC per IEC 61169-8 Annex A Equalization: Automatic 125m @ 1.5Gb/s with Belden 1694A (or equivalent)	General Purpose Inputs (7731DAC-HD-V only): Number of Inputs: 4 Type: Opto-isolated, active low with internal pull-ups to V ext pin Connector: Male High Density dB-15 Signal Level: +5V nominal	Physical (number of slots): 350FR: 1 7700FR-C: 1 7800FR: 1
Analog Video Outputs: Standard: SMPTE ST 274, ST 296 Video: 1V p-p YPrPb/RGB or 0.7V p-p VGA Sync: 300mV or 4V per nominal Impedance: 75Ω Connector: 4 BNC per IEC 61169-8 Annex A (7731DAC-HD) Female High Density DB15 (7731DAC-HD-V)	Electrical: Voltage: +12V DC Power: 9W EMI/RFI: Complies with FCC Part 15, Class A EU EMC Directive	
DC Offset: 0V ±0.1V		

Ordering Information

7731DAC-HD	HD-SDI to HD Component Analog or (optional VGA) Converter	Accessories	
Ordering Options	Rear Plate must be specified at time of order (Eg: Model +3RU)	WPV GABNC5	VGA to BNC - 6' Monitor Adapter Cable
+V	VGA output	Enclosures	
Rear Plate Suffix		350FR	3RU Portable Multiframe which holds up to 7 single slot modules
+3RU	3RU Rear Plate for use with 350FR, 7700FR-C or 7800FR Multiframe	7700FR-C	3RU Multiframe which holds up to 15 single slot modules
+SA	Standalone Enclosure Rear Plate	7800FR	3RU Multiframe which holds up to 15 single slot modules
		7801FR	1RU Multiframe which holds up to 4 single or 2 dual slot modules
		S7701FR	Standalone Enclosure

The Complete Solution Provider

