



The 7721AE8-HD Audio Embedder inserts eight AES audio signals into 1.5Gb/s HD or 270Mb/s SD video signals as specified in ST 299-1 or 272M respectively. The companion 7721AD8-HD Audio De-embedder facilitates audio demultiplexing at the destination.

The 7721AE8-HD embeds up to eight AES audio signals into four groups on the HD/SD outputs enabling support for dual 5.1 audio applications. The module supports 24-bit AES audio embedding for HD and 20-bit audio embedding for SD. In addition, a full 16x16 audio channel router is available for channel re-mapping.

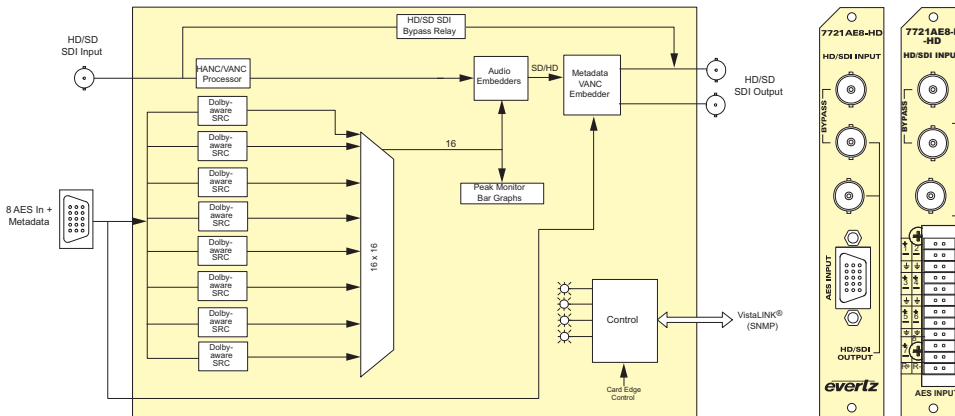
### ► Features & Benefits

- Audio embedding into 1.5Gb/s HD or 270Mb/s SD video
- Automatic detection of input video standard
- Two 1.5Gb/s HD or 270Mb/s SD serial video outputs
- By-pass relay protection for main program output
- Supports 24-bit AES audio embedding for HD and 20-bit AES audio embedding for SD
- Flexible 16x16 audio channel routing for channel re-mapping
- Dolby compliant with automatic sample rate conversion disable on AES inputs to permit seamless Dolby embedding
- Dolby Metadata insertion via serial interface
- Miniature bar graph display to monitor audio content activity
- Numerous signal monitoring aids

The 7721AE8-HD is Dolby compliant and automatically disables sample rate conversion on AES inputs to permit seamless Dolby embedding.

VistaLINK® enables control and configuration capabilities via Simple Network Management Protocol (SNMP). This offers the flexibility to manage the module status monitoring and configuration locally or remotely.

- Ancillary packet cleaner removes any interfering audio groups prior to embedding
- User control to force removal of additional audio groups
- Embeds audio on internally generated black or blue video when there is no video input
- Card edge LEDs indicate video and audio signal presence and module fault
- VistaLINK® capable for remote monitoring, control and configuration capabilities via SNMP; using VistaLINK® PRO, CP-2116E or CP-2232E Control Panels. VistaLINK® is available when modules are used with the 3RU 7800FR frame and a 7700FC VistaLINK® Frame Controller module in slot 1 of the frame



### ► Specifications

<b>Serial Video Input:</b> ST 292-1 (1.5Gb/s), (1080i/60, 1080i/59.94, 1080i/50, 1080p/30sF, 1080p/29.97sF, 1080p/25sF, 1080p/24sF, 1080p/23.98sF, 720p/60, 720p/59.94), 1035i/60, 1035i/59.94, 1080p/30, 1080p/29.97, 1080p/25, 1080p/24, 1080p/23.98, 720p/50, SMPTE ST 259 (270Mb/s), 525 or 625 line Standard: Connector: 1 BNC per IEC 61169-8 Annex A	<b>AES Audio Inputs:</b> Number of Inputs: 8 Standard: SMPTE 276M, single-ended AES Connector: BNC per IEC 61169-8 Annex A (with DB15 to BNC 6ft Breakout cable) Resolution: 24 bits Sampling Rate: 48kHz synchronous or asynchronous (48kHz synchronous AES required when sample rate converter is disabled) Impedance: 75Ω unbalanced, 100Ω balanced Signal Level: 1V p-p ±0.1V @ termination load	<b>System Performance:</b> SRC THD+N: -140dB Embedding Latency: 0.3ms (HD), 0.7ms (SD), 3ms (with SRC) <b>Electrical:</b> Voltage: +12V DC Power: 7W EMI/RFI: Complies with FCC Part 15, Class A EU EMC Directive
<b>Serial Video Outputs with Embedded Audio:</b> Standard: Same as input Number of Outputs: 2 (1 output bypass relay protected) Embedded Audio: ST 299-1 - 24-bit 48kHz synchronous/SMPTE ST 272 - 20-bit Connectors: BNC per IEC 61169-8 Annex A Return Loss: > 15dB to 1.5Gb/s Wideband Jitter: < 0.20 UI	<b>Metadata Input:</b> Type: Dolby-E® Metadata, SMPTE RDD6 Standard: RS-422 Baud Rate: 115,200 baud Vanc Embedding: SMPTE 2020	<b>Physical (number of slots):</b> 350FR: 1 7700FR-C: 1 7800FR: 1

### ► Ordering Information

<b>7721AE8-HD</b>	HD/SD-SDI 8 AES (16 Channel) Audio Embedder
<b>7721AE8-B-HD</b>	HD/SD-SDI 8 Balanced AES (16 Channel) Audio Embedder
<b>Ordering Options</b>	Rear Plate must be specified at time of order (Eg: Model +3RU)
<b>Rear Plate Suffix</b>	
<b>+3RU</b>	3RU Rear Plate for use with 350FR, 7700FR-C & 7800FR Multiframe
<b>+SA</b>	Standalone Enclosure Rear Plate

<b>Accessories</b>	
<b>7700FC</b>	VistaLINK® Frame Controller
<b>CP-2116E-H</b>	Remote Control Panel
<b>CP-2232E</b>	Remote Control Pane
<b>Enclosures</b>	
<b>350FR</b>	3RU Portable Multiframe which holds up to 7 single slot modules
<b>7700FR-C</b>	3RU Multiframe which holds up to 15 single slot modules
<b>7800FR</b>	3RU Multiframe which holds up to 15 single slot modules
<b>7801FR</b>	1RU Multiframe which holds up to 4 single or 2 dual slot modules
<b>S7701FR</b>	Standalone enclosure