



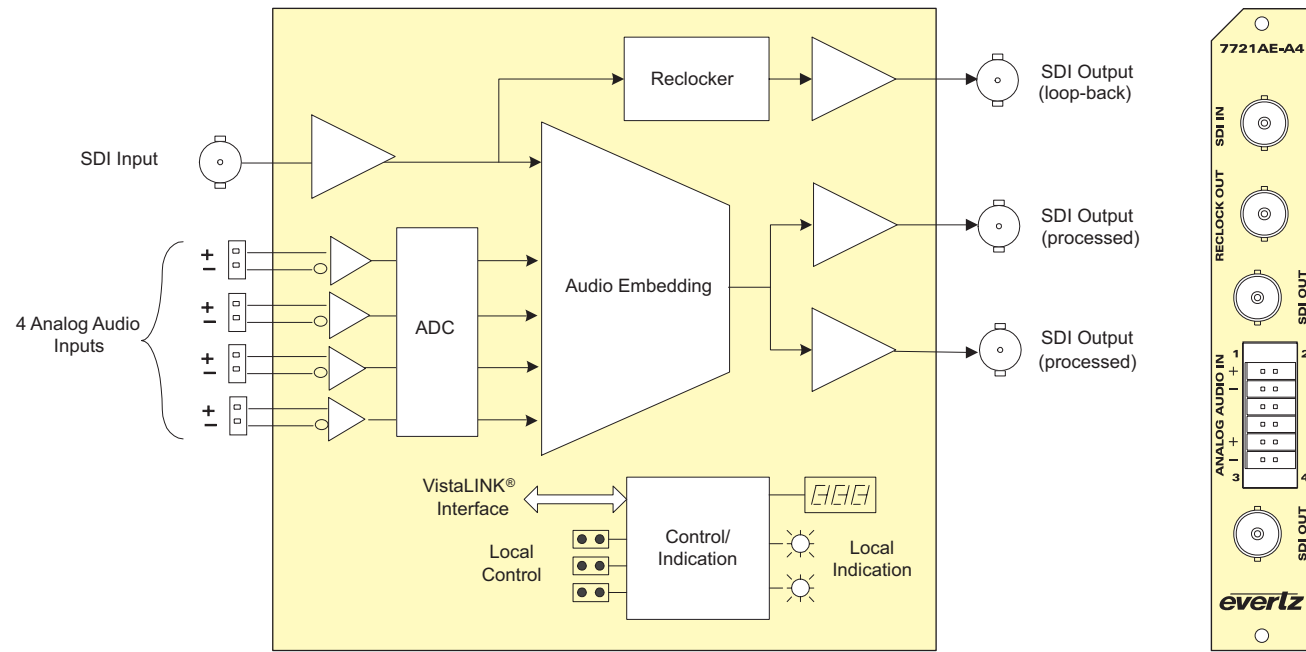
The 7721AE-A4 Analog Audio Embedder performs A/D conversion on 4 balanced pairs of analog audio (as one audio group) and embeds them into a 270Mb/s serial SD input video signal as specified by SMPTE 272M. The companion 7720AD-A4 Audio De-embedder facilitates audio de-multiplexing at the destination.

VistaLINK® enables control and configuration capabilities via Simple Network Management Protocol (SNMP). This offers the flexibility to manage the module status monitoring and configuration from SNMP - enabled control systems such as Evertz VistaLINK® PRO.

The 7721AE-A4 occupies one card slot and can be housed in a 1RU frame which will hold up to 3 modules, a 3RU frame which will hold up to 15 modules, a 350FR portable frame which will hold up to 7 modules or a standalone enclosure that will hold 1 module.

►Features & Benefits

- Automatic detection of video input format
- Supports 270Mb/s SD per SMPTE 259M-C, and SDTi per SMPTE 305M
- Programmable audio delays (up to 5 frames or 84 milliseconds)
- Selectable ancillary packet cleaning mode removes all audio before embedding
- Individual audio channel assignment for embedded audio group
- Audio mixer per audio channel to provide voice-over
- Upstream embedded Dolby-E® compatible (passed through)
- Monitoring headphone jack for audio input and embedded audio output
- Comprehensive signal and card status monitoring via four-character card-edge display and LEDs
- VistaLINK® capable for remote monitoring, control and configuration capabilities via SNMP; using VistaLINK® PRO, CP-2116E or CP-2232E Control Panels. VistaLINK® is available when modules are used with the 3RU 7800FR frame and a 7700FC VistaLINK® Frame Controller module in slot 1 of the frame



►Specifications

<p>Serial Video Input: Standard: Auto detect 270Mb/s SMPTE 259M-C, 525 or 625 line component, SMPTE 305M, (SDTi) 1 BNC per IEC 61169-8 Annex A Connector: Automatic to 300m @ 270Mb/s with Belden 1694A or equivalent cable Equalization: > 15dB up to 270Mb/s Return Loss: > 15dB up to 270Mb/s</p> <p>Serial Video Output: Number of Outputs: 1 Reclocked Loopback 2 same as input with embedded audio Connector: BNC per IEC 61169-8 Annex A Signal Level: 800mV nominal DC Offset: 0V ±0.5V Rise and Fall Time: 900ps nominal Overshoot: < 10% of amplitude Return Loss: > 15dB at 270Mb/s Wide Band Jitter: < 0.2 UI</p>	<p>Analog Audio Inputs: Number of Inputs: 4 Type: Balanced analog audio Connector: 12-pin removal terminal block Input impedance: High Impedance (> 20kΩ) Freq. Response: ±0.1dB, 20Hz to 20kHz THD 20Hz-20kHz: < 0.005% Channel Phase Diff.: ±1° SNR (weighted): > 85dB with input @24dBu (nominal) Max. Audio Input Level: +24dBu Signal Quantization: 20 bits</p> <p>Electrical: Voltage: +12V DC Power: 10W EMI/RFI: Complies with FCC Part 15, Class A EU EMC directive</p>	<p>Physical (number of slots): 350FR: 1 7700FR-C: 1 7800FR: 1</p>
--	---	--

►Ordering Information

7721AE-A4	SD-SDI Analog Audio Embedder
Ordering Options	Rear must be specified at time of order Eg: Model +3RU
Rear Plate Suffix	
+3RU	3RU Rear Plate for use with 350FR, 7700FR-C or 7800FR Multiframe
+1RU	1RU Rear Plate for use with 7701FR Multiframe
+SA	Standalone Enclosure Rear Plate

Accessories

7700FC	VistaLINK® Frame Controller
CP-2116E-H	Remote Control Panel
CP-2232E	Remote Control Panel

Enclosures

350FR	3RU Portable Multiframe which holds up to 7 single slot modules
7700FR-C	3RU Multiframe which holds up to 15 single slot modules
7800FR	3RU Multiframe which holds up to 15 single slot modules
7801FR	1RU Multiframe which holds up to 4 single or 2 dual slot modules
7701FR	1RU Multiframe which holds up to 3 single or dual slot modules
S7701FR	Standalone enclosure