

7721AE-A4-HD

HD/SD-SDI Analog Audio Embedder



The 7721AE-A4-HD Analog Audio Embedder performs A/D conversion on four balanced pairs of analog audio (as one audio group) and embeds them into a 1.5Gb/s serial HD input video signal or a 270Mb/s serial SD input video signal as specified by ST 299-1/272M. The companion 7721AD-A4-HD Audio De-embedder facilitates audio de-multiplexing at the destination.

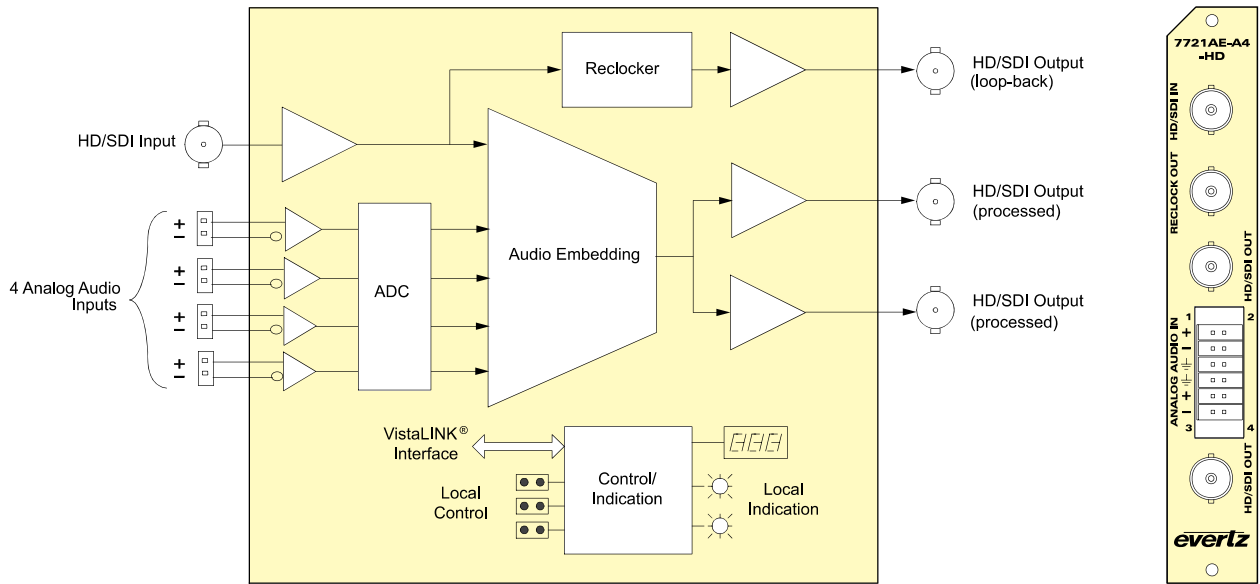
The 7721AE-A4-HD occupies one card slot and can be housed in a 1RU frame that will hold up to three modules, a 3RU frame that will hold up to 15 modules,

a 350FR portable frame, which will hold up to seven modules, or a standalone enclosure that will hold one module.

VistaLINK® enables control and configuration capabilities via Simple Network Management Protocol (SNMP). This offers the flexibility to manage the module status monitoring and configuration from SNMP enabled control systems such as Evertz® VistaLINK®.

Features & Benefits

- Automatic detection of video input format
- Supports 1.5Gb/s HD per ST 292-1, 270Mb/s SD per SMPTE ST 259-C, and SDTi per SMPTE 305M
- Programmable audio delays (the lesser of 5 frames or 84 milliseconds)
- Selectable ancillary packet cleaning mode removes all audio before embedding
- Individual audio channel assignment for embedded audio group
- Audio mixer per audio channel to provide voice-over
- Upstream embedded Dolby-E® compatible (passed through)
- Monitoring headphone jack for audio input and embedded audio output
- Comprehensive signal and card status monitoring via four-character card-edge display and LEDs
- VistaLINK® capable for remote monitoring, control and configuration capabilities via SNMP; using VistaLINK® PRO, CP-2116E or CP-2232E Control Panels. VistaLINK® is available when modules are used with the 3RU 7800FR frame and a 7700FC VistaLINK® Frame Controller module in slot 1 of the frame



Specifications

Serial Video Input:	Auto detect 1.5Gb/s ST 292-1 or 270Mb/s SMPTE ST 259-C, 525 or 625 line component, SMPTE 305M, (SDTi)	DC Offset: 0V ±0.5V	Electrical:
Connector:	1 BNC per IEC 61169-8 Annex A	Rise and Fall Time: 900ps nominal	Voltage: +12V DC
Equalization:	Automatic to 300m @ 270Mb/s with Belden 1694A or equivalent cable, 110m @ 1.5Gb/s	Overshoot: < 10% of amplitude	Power: 10W
Return Loss:	> 15dB up to 1.5GHz	Return Loss: > 15dB at 270Mb/s	EMI/RFI: Complies with FCC Part 15, Class A EU EMC directive
Serial Video Output:		Wide Band Jitter: < 0.2 UI	
Number of Outputs:	1 Reclocked Loopback 2 same as input with embedded audio	Analog Audio Inputs:	Physical (number of slots):
Connector:	BNC per IEC 61169-8 Annex A	Number of Inputs: 4	350FR: 1
Signal Level:	800mV nominal	Type: Balanced analog audio	7700FR-C: 1
		Connector: 12-pin removal terminal block	7800FR: 1
		Input impedance: High Impedance (> 20KΩ)	
		Freq. Response: ±0.1dB, 20Hz to 20kHz	
		THD 20Hz-20kHz: < 0.005%	
		Channel Phase Diff.: ±1°	
		SNR (weighted): > 85dB with input @24dBu (nominal)	
		Max. Audio Input Level: +24dBu	
		Signal Quantization: 24 bits	

Ordering Information

7721AE-A4-HD	HD/SD-SDI Analog Audio Embedder	Accessories	
Ordering Options	Rear Plate must be specified at time of order (Eg: Model +3RU)	7700FC	VistaLINK® Frame Controller
Rear Plate Suffix		CP-2116E-H	Remote Control Panel
+3RU	3RU Rear Plate for use with 350FR, 7700FR-C or 7800FR Multiframe	CP-2232E	Remote Control Panel
+SA	Standalone Enclosure Rear Plate	Enclosures	
		350FR	3RU Portable Multiframe which holds up to 7 single slot modules
		7700FR-C	3RU Multiframe which holds up to 15 single slot modules
		7800FR	3RU Multiframe which holds up to 15 single slot modules
		7801FR	1RU Multiframe which holds up to 4 single or 2 dual slot modules
		S7701FR	Standalone Enclosure

The Complete Solution Provider

