



The 7720DAC-A4 is a high-quality, 24-bit digital-to-analog audio converter that converts two AES/EBU digital signals to four balanced analog audio signals. The 7720DAC-A4 has two independent AES/EBU converters. The input sample rates supported are 44.1kHz and 48kHz. All analog audio output levels may be set individually from the front panel.

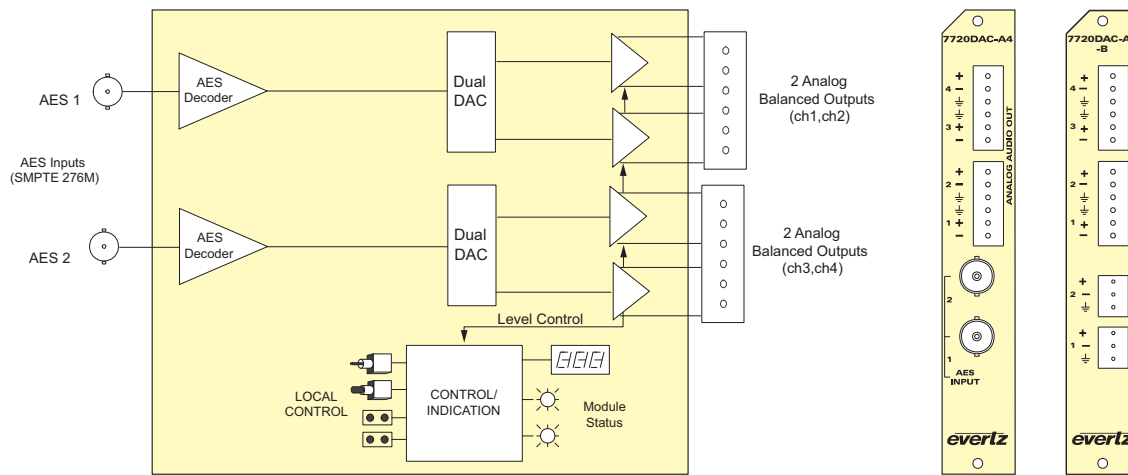
read out from a card edge display for convenience. The full-scale digital signal can be calibrated to product analog peak levels ranging from 12–25dBu with 0.1dB resolution.

Level control is provided via a card edge toggle and the set gain level can be

The audio DAC features a card edge VU meter for quick confidence monitoring. Four separate level indicators are provided via bar graphs for quick validation of audio program material.

►Features & Benefits

- AES3/IEC-958 or AES3/SMPTE ST 276/S/PDIF
- 24-bit high-quality conversion
- 44.1kHz and 48kHz sampling rate
- 0dBFS programmable from 12–25dBu
- Support for four channels of balanced analog audio (2x AES/EBU)
- Clock recovery via VCXO for extra stable sample clock generation
- A card edge display provides a four-channel bar graph type level indicator display for confidence monitoring
- Local card edge display for level setup
- Drives directly 600Ω loads
- VistaLINK® PRO-capable for remote monitoring, control and configuration capabilities via SNMP; using VistaLINK® PRO, CP-2116E or CP-2232E control panels. VistaLINK® PRO is available when modules are used with the 3RU 7800FR frame and a 7700FC VistaLINK® frame controller module in Slot 1 of the frame



►Specifications

Unbalanced AES Audio Inputs (7720DAC-A4):		Equalization:	>400m @ 48kHz with 2–10V p-p drive and Belden 1800B or equiv. shielded twisted pair cable	THD+N:	< –100dB RMS @ 20Hz to 20kHz, with 24dBu output, unweighted
Number of Inputs:	2	Resolution:	24-bit	SNR:	> 110dB RMS (20Hz to 20kHz), unweighted
Standard:	SMPTE ST 276M, unbalanced AES	Sample Rate:	44.1, 48kHz, ±100 ppm (all other rates between 42–50kHz will remain audible but somewhat distorted)	Crosstalk Isolation:	> 110dB RMS (20Hz to 20kHz), unweighted
Connectors:	BNC per IEC 169–8	Input Impedance:	110Ω ± 10%, transformer coupled	Inter-Channel Phase Error:	< ±1° (20Hz to 20kHz)
Signal Level:	0.1 to 2.5V p-p	Shield Grounding:	AC-coupled (for 60Hz ground loop current protection)	Digital to Analog Delay:	0.95m sec
Equalization:	>1000m @ 48kHz with 1V p-p drive and Belden 8281 or equivalent coax cable	Analog Audio Output:		Electrical:	
Resolution:	24-bit	Number of Outputs:	4	Voltage:	+12V DC
Sample Rate:	44.1, 48kHz, ±100 ppm (all other rates between 42–50kHz will remain audible but somewhat distorted)	Type:	Balanced analog audio	Power:	12W
Input Impedance:	75Ω, AC-coupled	Connectors:	2x 6-pin removable terminal strip	EMI/RFI:	Complies with FCC Part 15, Class A, EU EMC directive
Return Loss:	<25dB, 0.1–6.0MHz	Output Impedance:	66Ω	Physical (number of slots):	
BNC Grounding:	AC-coupled (for 60Hz ground loop current protection)	Signal Level:	0dB FS => 12–25dBu into 10KΩ load (user configurable); 0dB FS => 12–24dBu into 600Ω load	350FR:	1
Balanced AES Audio Inputs (7720DAC-A4-B):		Frequency Response:	< ±0.05dB (20Hz to 20kHz)	7700FR-C:	1
Number of Inputs:	2	Dynamic Range:	24-bit	7800FR:	1
Standard:	AES3–1992, balanced AES				
Connectors:	3-pin removable terminal strip				
Signal Level:	0.2 to 10V p-p				

►Ordering Information

7720DAC-A4	Dual AES to Quad Analog Audio Converter with unbalanced AES inputs
7720DAC-A4-B	Dual AES to Quad Analog Audio Converter with balanced AES inputs

Accessories:	
7700FC	VistaLINK® PRO frame controller
CP-2116E-H	Remote control panel
CP-2232E	Remote control panel

Ordering Options rear plate must be specified at time of order (eg: Model +3RU)

Enclosures:	
350FR	3RU portable multiframe, holds up to 7x single-slot modules
7700FR-C	3RU multiframe, holds up to 15x single-slot modules
7800FR	3RU multiframe, holds up to 15x single-slot modules
7801FR	1RU multiframe, holds up to 4x single- or 2x dual-slot modules
S7701FR	Standalone enclosure

Rear Plate Suffix:	
+3RU	3RU rear plate for use with 350FR, 7700FR-C or 7800FR multiframe
+SA	Standalone enclosure rear plate