

# 7720ADC-A4, 7720ADC-A4-B

## Quad Analog Audio to Dual AES Converter and Balanced AES Converter



The 7720ADC-A4 is a high-quality, 24-bit, analog to digital audio converter which provides digital conversion of four balanced analog audio channels and provides two unbalanced (or balanced from the 7720ADC-A4-B) AES/EBU channels out.

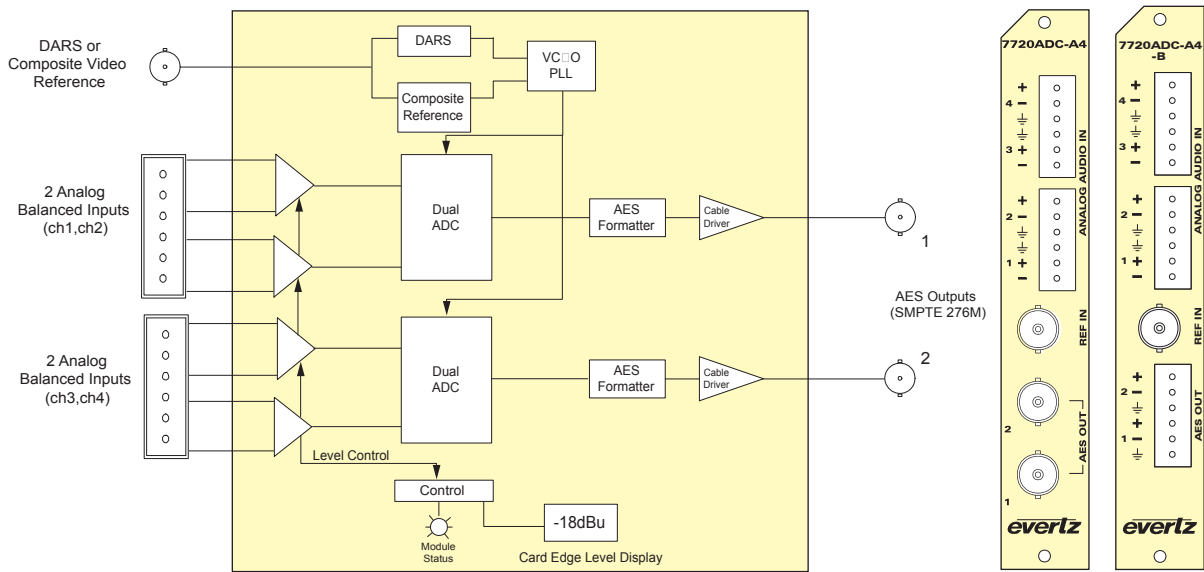
The sampling clock may free run at 48 kHz or may be locked to either a DARS (Digital Audio Reference Signal) reference or composite video reference. Level control is provided via a card edge toggle switch. The input gain level can be read out from a card edge display for convenience.

The full-scale digital signal can be calibrated to accommodate peak levels ranging from 8dBu to 27dBu with 0.5dB resolution.

The audio ADC features a card edge VU meter for quick confidence monitoring. Four separate level indicators are provided via bar graphs for quick validation of audio program material.

### Features & Benefits

- Auto detect composite video or DARS on the reference input
- 24-bit, high-quality analog to digital audio conversion
- Support for four channels of analog audio (two AES/EBU)
- Local card edge display and control of input gain
- 0dBFS programmable from 8dBu to 27dBu
- A card edge display provides a four channel bar graph type level indicator display for confidence monitoring
- Automatic DC removal
- VistaLINK® capable for remote monitoring, control and configuration capabilities via SNMP; using VistaLINK® PRO, CP-2116E or CP-2232E Control Panels. VistaLINK® is available when modules are used with the 3RU 7800FR frame and a 7700FC VistaLINK® Frame Controller module in slot 1 of the frame



### Specifications

<b>Analog Audio Input:</b> Number of Inputs: 4 Type: Balanced analog audio Connector: Removable terminal strip Input Impedance: 10kΩ minimum (differential) Sampling Frequency: 48kHz (freerun or locked to the reference) Signal Level: 0dB FS = 8dBu to 27dBu (programmable via 0dB/+6dB jumper and card edge fine gain with -10dB +10dB range) Frequency Response: ±0.1dB (20Hz to 20kHz) SNR: 100dB with input at -1dB FS THD+N: < 0.001% (> 100dB) @ 20Hz to 20kHz, -1dB FS CMRR: > 100dB @ 1kHz Crosstalk: < -100dB @ 20Hz-20kHz Inter-channel Phase error: < 1°, 20Hz-20kHz	<b>Reference Input:</b> Standard: NTSC (SMPTE ST 170), PAL (ITU624-4), DARS Number of Inputs: 1 Connector: BNC per IEC 61169-8 Annex A Signal Level: Video: Max: 2V p-p video (composite only) Min: Sync level 150m (composite only) DARS: SMPTE 276M, 1V p-p Frequency Lock Range: ±100ppm from nominal Input Impedance: High impedance Return Loss: > 25dB to 10MHz (with external 75Ω termination)	<b>AES Audio Output:</b> Standard: SMPTE 276M single ended AES Number of Outputs: 2 Connectors: BNC per IEC 61169-8 Annex A Resolution: 24-bits Sampling Rate: 48kHz Impedance: 75Ω unbalanced I/O Delay: 0.87ms <b>Electrical:</b> Voltage: +12V DC Power: 10W (nominal) EMI/RFI: Complies with FCC Part 15, Class A EU EMC Directive <b>Physical (number of slots):</b> 350FR: 1 7700FR-C: 1 7800FR: 1
--	--	---

### Ordering Information

<b>7720ADC-A4</b> <b>7720ADC-A4-B</b>	Quad Analog Audio to Dual AES Converter Quad Analog Audio to Dual Balanced AES Converter	<b>Accessories</b> <b>7700FC</b> <b>CP-2116E-H</b> <b>CP-2232E</b>	VistaLINK® Frame Controller Remote Control Panel Remote Control Panel
<b>Ordering Options</b>	Rear Plate must be specified at time of order (Eg: Model +3RU)	<b>Enclosures</b> <b>350FR</b> <b>7700FR-C</b> <b>7800FR</b> <b>7801FR</b> <b>S7701FR</b>	3RU Portable Multiframe which holds up to 7 single slot modules 3RU Multiframe which holds up to 15 single slot modules 3RU Multiframe which holds up to 15 single slot modules 1RU Multiframe which holds up to 4 single or 2 dual slot modules Standalone Enclosure
<b>Rear Plate Suffix</b> <b>+3RU</b> <b>+SA</b>	3RU Rear Plate for use with 350FR, 7700FR-C or 7800FR Multiframe Standalone Enclosure Rear Plate		

The Complete Solution Provider

