

7720AD-A4-2, 7720AD4, 7720AD4-B

SD-SDI AES Audio De-embedders



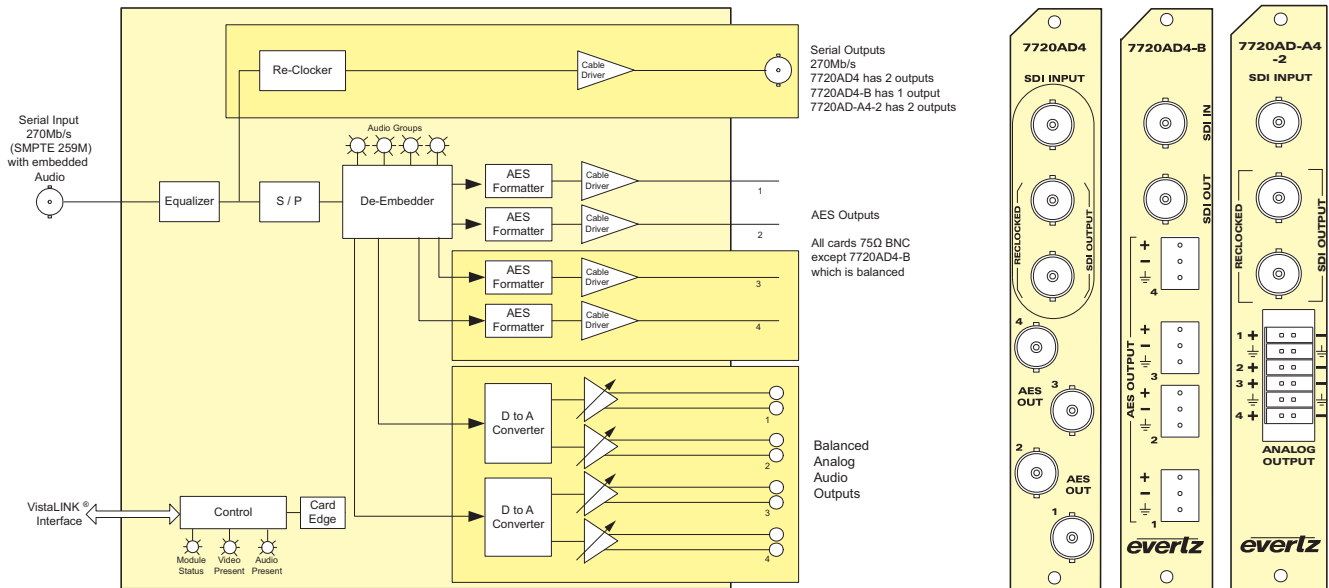
The 7720AD4 series Audio De-embedders extract embedded audio as specified by SMPTE ST 272 from a 270Mb/s serial digital video signal. The companion 7720AE4 Audio Embedder facilitates audio multiplexing at the source. The 7720AD4 is available in four different versions.

SMPTE ST 272 allows for up to four groups (four channels/group) to be embedded within a serial digital signal. The 7720AD4 can de-embed two audio groups onto four unbalanced AES outputs. The 7720AD4-B can de-embed two audio groups onto four balanced AES outputs. The 7720AD-A4-2 can de-embed one audio group onto balanced analog audio outputs.

Features & Benefits

- Card edge LEDs indicating module status, video presence, selected audio group data is present
- LED indication for the presence of each of the four audio groups within the input video
- Audio group selection via card edge DIP switches
- Audio channel swapping selection via card edge DIP switches (not on 7720AD-A4-2)
- Analog audio output models have independent volume controls for each of the audio channel outputs
- VistaLINK[®] capable for remote monitoring, control and configuration capabilities via SNMP; using VistaLINK[®] PRO, CP-2116E or CP-2232E Control Panels. VistaLINK[®] is available when modules are used with the 3RU 7800FR frame and a 7700FC VistaLINK[®] Frame Controller module in slot 1 of the frame

Model	Audio Outputs		Video 270Mb/s SDI Reclocked Outputs
	AES	Analog	
7720AD-A4-2		4	2
7720AD4	4 Unbalanced	--	2
7720AD4-B	4 Balanced	--	1



Specifications

<p>Serial Video Input: Standard: SMPTE ST 259-C - 525 & 625 component Connector: 1 BNC per IEC 61169-8 Annex A Equalization: Automatic 300m @ 270Mb/s with Belden 8281 or equivalent cable Return Loss: > 13dB up to 270Mb/s</p>	<p>Unbalanced AES Audio Outputs (Not on -B versions): Standard: SMPTE 276M, single ended synchronous AES Number of Outputs: 4 on 7720AD4 Connectors: BNC per IEC 61169-8 Annex A Sampling Rate: 48kHz Impedance: 75Ω unbalanced Dynamic Range: 20-bit</p>	<p>Sampling Frequency: 48kHz Signal Level: 0dB FS =>8 to 24dBu into 10kΩ loads (user settable) 0dB FS =>8 to 22dBu into 600Ω loads (user settable) Frequency Response: < ±0.1dB (20Hz to 20kHz) THD+N: > 90dB RMS @ 1kHz, with 24dBu output > 100dB RMS @ 20Hz to 20kHz, with 24dBu output Crosstalk isolation: > 100dB RMS (20Hz to 20kHz)</p>
<p>Reclocked Serial Video Outputs: Standard: Same as input Number of Outputs: 1 on 7720AD4-B, 2 on 7720AD4 and 7720AD-A4-2 Connectors: BNC per IEC 61169-8 Annex A Signal Level: 800mV nominal DC Offset: 0V ±0.5V Rise and Fall Time: 700ps nominal Overshoot: < 10% of amplitude Wide Band Jitter: < 0.2 UI</p>	<p>Balanced AES Audio Outputs (-B-versions only): Standard: AES3-1992 Number of Outputs: 2 on 7720AD-B-A4-LTC 4 on 7720AD4-B Connector: Terminal strip Sampling Rate: 48kHz Impedance: 110Ω balanced Dynamic Range: 20-bit</p>	<p>Electrical: Voltage: +12V DC Power: 12W EMI/RFI: Complies with FCC Part 15, Class A EU EMC Directive</p>
	<p>Analog Audio Outputs (A4 Versions Only): Number of Outputs: 4 Type: Balanced analog audio Connector: Terminal strip Output Impedance: 66Ω balanced</p>	<p>Physical (number of slots): 350FR: 1 7700FR-C: 1 7800FR: 1</p>



► Ordering Information

7720AD-A4-2	SD-SDI AES Audio De-embedder with 4 balanced analog audio outputs
7720AD4	SD-SDI AES Audio De-embedder with 4 unbalanced AES outputs (2 audio groups)
7720AD4-B	SD-SDI AES Audio De-embedder with 4 balanced AES outputs (2 audio groups)

Ordering Options	Rear Plate must be specified at time of order (Eg: Model +3RU)
Rear Plate Suffix	
+3RU	3RU Rear Plate for use with 350FR, 7700FR-C, 7800FR Multiframe
+SA	Standalone Enclosure Rear Plate

Accessories
7700FC
CP-2116E-H
CP-2232E

VistaLINK® Frame Controller
Remote Control Panel
Remote Control Panel

Enclosures
350FR
7700FR-C
7800FR
7801FR
S7701FR

3RU Portable Multiframe which holds up to 7 single slot modules
3RU Multiframe which holds up to 15 single slot modules
3RU Multiframe which holds up to 15 single slot modules
1RU Multiframe which holds up to 4 single or 2 dual slot modules
Standalone Enclosure