

# 7702BPX-LB, 7703BPXA-LB

## 2x1 RF Protection Switch for L-Band Frequencies



The 7702BPX-LB and 7703BPXA-LB 2x1 RF protection switches for L-Band frequencies provide automatic changeover functionality to provide bypass protection for RF signals from 950MHz to 2250MHz.

The 7703BPXA-LB has integrated VistaLINK® technology for remote control and monitoring capability via SNMP. This provides the ability to locally or remotely configure and monitor parameters such as module status, selected input, power level and switching threshold.

When used for automatic changeover, the 7702BPX-LB and 7703BPXA-LB have a MAIN input and a STANDBY input. It will automatically switch to the Standby

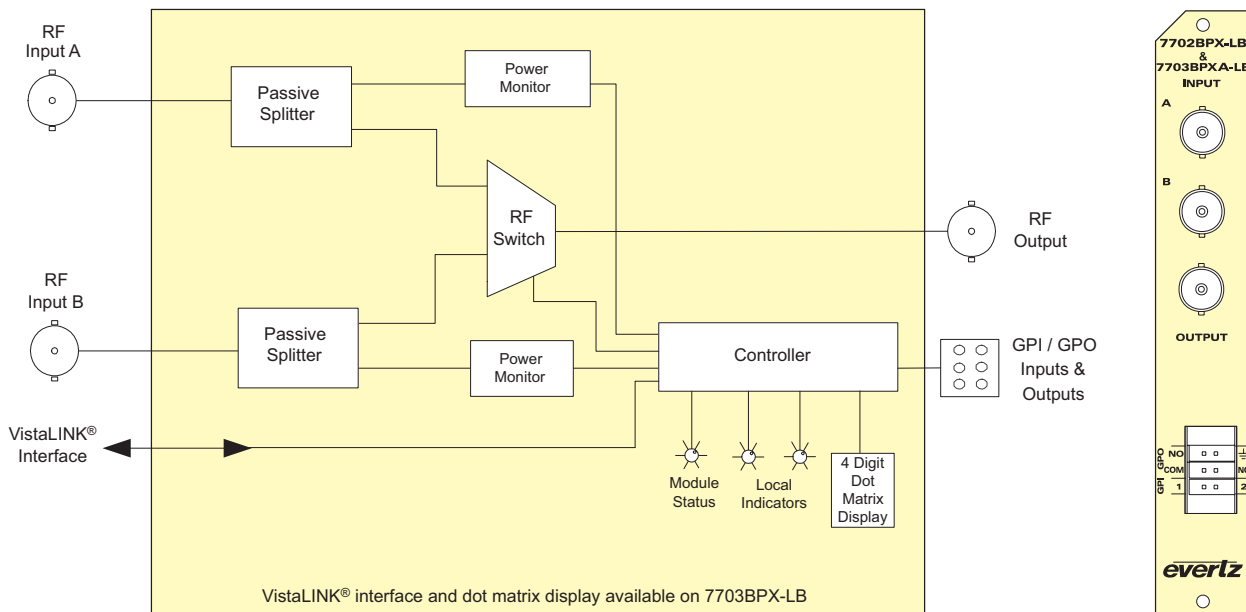
input when the Main input power is weak or lost. Switch back to the Main input when the signal is re-established, may be configured to happen manually or automatically. The 7702/7703BPX-LB may also be configured to operate manually as a 2:1 switch, which may be controlled locally or remotely via GPI or SNMP (7703 model only).

The 7702BPX-LB and 7703BPXA-LB occupy one card slot and can be housed in a 1RU frame that will hold up to 3 modules, a 3RU frame that will hold up to 15 modules, a 350FR portable frame that will hold up to 7 modules or a standalone enclosure which holds 1 module.

### ►Features & Benefits

- Wide operating frequency range, 950MHz-2250MHz
- Intelligent auto switching with input power detection
- User-definable threshold levels on 7703BPXA-LB version
- Maintains switch state and RF channel on loss of power to card or frame
- Supports automatic or manual control via GPI or SNMP on 7703BPXA-LB
- Switch state indication via GPO
- Card edge LEDs indicate active input channels, output channel and power levels below threshold

- Fully hot-swappable from front of frame
- Comprehensive signal and card status monitoring via four digit card edge display or remotely through SNMP and VistaLINK® on 7703 version
- VistaLINK® capability is available when 7703BPXA-LB modules are used with the 3RU 7800FR or 350FR portable frame and a 7700FC VistaLINK® Frame Controller module in slot 1 of the frame



### ►Specifications

#### RF Input/Output:

Inputs: 2  
 Outputs: 1  
 Connector: 1 BNC per IEC 61169-8 Annex A (F-type and SMA optional)  
 I/O Impedance: 75Ω, 50Ω optional  
 Frequency Response: 950MHz- 2250MHz: < ±1.5dB  
 Insertion Loss:  
 950-1450MHz <4dB  
 950-2250MHz <5dB  
 Return Loss: > 10dB  
 Isolation: > 45dB  
 Input Power Range: 0dBm to -50dBm

#### General Purpose Inputs:

Number of Inputs: 2  
 Type: Opto-isolated, active low with internal pull-ups to +5V  
 Connector: 2 pins plus ground on 6-pin terminal strip  
 Signal Level:  
 +5V Pullup: Low: -5 to +2.5V DC, High: 3.5 to 10V DC  
 +12V Pullup: Low: -5 to +9.5V DC, High: 10.5 to 15V DC  
 Max Sink Current: (input shorted to ground) 15mA  
 Max Leakage Current for input High: 200µA

#### General Purpose Outputs:

Number of Outputs: 1  
 Type: "Dry Contact" relay contacts - normally open & normally closed contact provided  
 Connector: 3 pins on 6-pin terminal strip

#### Electrical:

Voltage: +12V DC  
 Power: 4W

#### Physical (number of slots):

350FR: 1  
 7700FR-C: 1  
 7800FR: 1

### ►Ordering Information

<b>7702BPX-LB</b>	2x1 RF Protection Switch for L-Band Frequencies
<b>7703BPXA-LB</b>	2x1 RF Protection Switch for L-Band Frequencies, with VistaLINK® Monitoring
<b>7702BPX-LB-B50</b>	2x1 RF Protection Switch for L-Band Frequencies, 50Ω BNC connectors
<b>7703BPXA-LB-B50</b>	2x1 RF Protection Switch for L-Band Frequencies, 50Ω BNC connectors with VistaLINK® Monitoring
<b>7702BPX-LB-S50</b>	2x1 RF Protection Switch for L-Band Frequencies, 50Ω SMA connectors
<b>7703BPXA-LB-S50</b>	2x1 RF Protection Switch for L-Band Frequencies, 50Ω SMA connectors with VistaLINK® Monitoring

**Ordering Options** Rear Plate and optional connector type must be specified at time of order  
 Eg: Model +3RU (if 75Ω F-type connector required, order optional +F75)

#### Rear Plate Suffix

**+3RU** 3RU Rear Plate for use with 350FR, 7700FR-C or 7800FR Multiframe  
**+1RU** 1RU Rear Plate for use with 7701FR Multiframe  
**+SA** Standalone Enclosure Rear Plate

#### Connector Suffix

**+F75** 75Ω, F-Type Rear Connector

#### Enclosures

**350FR** 3RU Portable Multiframe which holds up to 7 single slot modules  
**7700FR-C** 3RU Multiframe which holds up to 15 single slot modules  
**7800FR** 3RU Multiframe which holds up to 15 single slot modules  
**7801FR** 1RU Multiframe which holds up to 4 single or 2 dual slot modules  
**7701FR** 1RU Multiframe which holds up to 3 single or dual slot modules  
**S7701FR** Standalone Enclosure