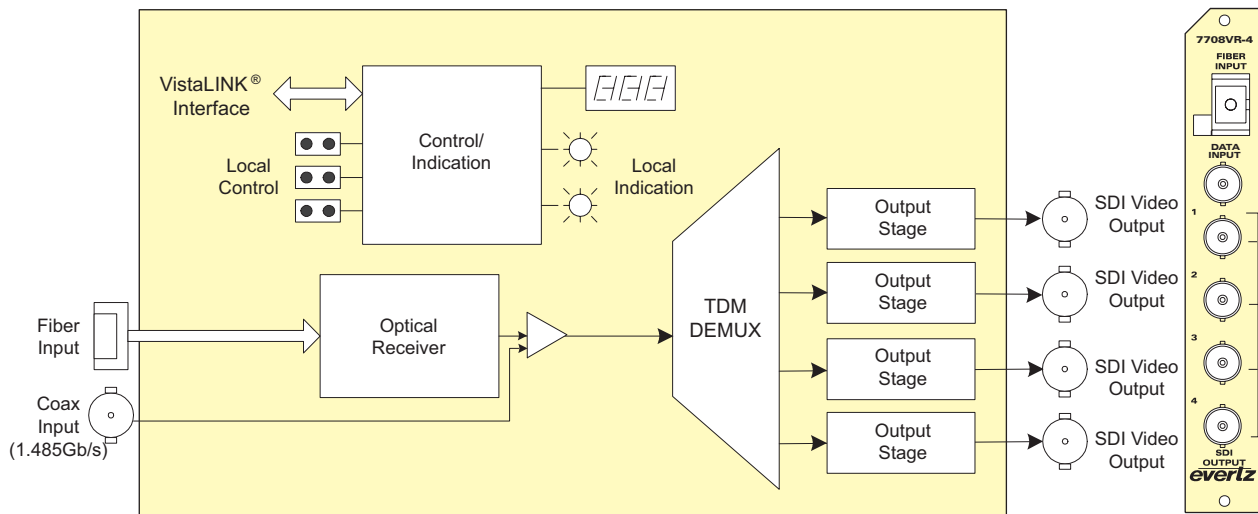




► Features & Benefits

- Single card demultiplexer for four synchronous or asynchronous 270Mb/s SDI, SDTi or DVB-ASI video signals
- Accepts SMPTE 292M signal from companion 7708VT-4
- Low jitter SDI outputs
- Independent signal outputs unaffected by loss of any other SDI or DVB-ASI input feed
- Transparently passes embedded AES or any other data in the horizontal or vertical ancillary data space
- Fully hot-swappable from front of frame with no fiber disconnect/reconnect required
- Supports single-mode and multi-mode fiber optic cable
- Accepts any wavelength in the 1270nm to 1610nm range
- SC/PC, ST/PC, FC/PC connector options
- Comprehensive signal and card status monitoring via four digit card edge display or remotely through SNMP and VistaLINK®
- Occupies one card slot and can be housed in either a 1RU frame which will hold up to 3 modules, a 3RU frame which will hold up to 15 modules, 3RU portable frame that holds up to 7 modules or a standalone frame which will hold 1 module
- VistaLINK® capability is available when modules are used with the 3RU 7800FR or 350FR frame and a 7700FC VistaLINK® Frame Controller module in slot 1 of the frame



► Specifications

<p>Optical Input: Number of Inputs: 1 Connector: Female SC/PC, ST/PC, FC/PC Return Loss: > 25dB Operating Wavelength: 1270nm to 1610nm Maximum Input Power: Standard Version: -1dBm -H Version: -8dBm Optical Sensitivity: Standard Version: -23dBm -H Version: -28dBm Bitrate: 1.485Gb/s</p>	<p>Data Input: Standard Reclocked: SMPTE 292M Number of Inputs: 1 Connector: BNC per IEC 61169-8 Annex A Equalization: Automatic to 150m @ 1.485Gb/s with Belden 1694A or equivalent cable Return Loss: > 15db to 1.5GHz</p>	<p>Physical (number of slots): 350FR: 1 7700FR-C: 1 7800FR: 1</p>
<p>Electrical: Voltage: +12V DC Power: 10W EMI/RFI: Complies with FCC Part 15, Class A EU EMC directive</p>		

Serial Video Outputs:

Standards: SMPTE 259M-C, SMPTE 305M, DVB-ASI
 Number of Outputs: 4 independent SDI, SDTi or DVB-ASI 270Mb/s signals
 Connector: 1 BNC per IEC 61169-8 Annex A
 Signal Level: 800mV nominal
 DC Offset: 0V ±0.5V
 Rise and Fall Time: 900ps nominal
 Overshoot: < 10% of amplitude
 Return Loss: > 15dB up to 270Mb/s
 Wide Band Jitter: < 0.2 UI

► Ordering Information

7708VR-4	Quad SDI/ASI Demux Fiber Receiver, VistaLINK®
7708VR-4-H	Quad SDI/ASI Demux Fiber Receiver, High sensitivity RX VistaLINK®

Ordering Options Rear Plate and Fiber Connector must be specified at time of order
 Eg: Model +SC +3RU

Rear Plate Suffix

+3RU	3RU Rear Plate for use with 350FR, 7700FR-C or 7800FR Multiframe
+1RU	1RU Rear Plate for use with 7701FR Multiframe
+SA	Standalone Enclosure Rear Plate

Connector Suffix (Non -NF versions)

+SC	SC/PC
+ST	ST/PC
+FC	FC/PC

Enclosures

350FR	3RU Portable Multiframe which holds up to 7 single slot modules
7700FR-C	3RU Multiframe which holds up to 15 single slot modules
7800FR	3RU Multiframe which holds up to 15 single slot modules
7701FR	1RU Multiframe which holds up to 3 single or dual slot modules
S7701FR	Standalone Enclosure