

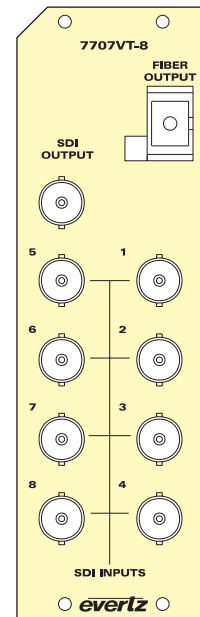
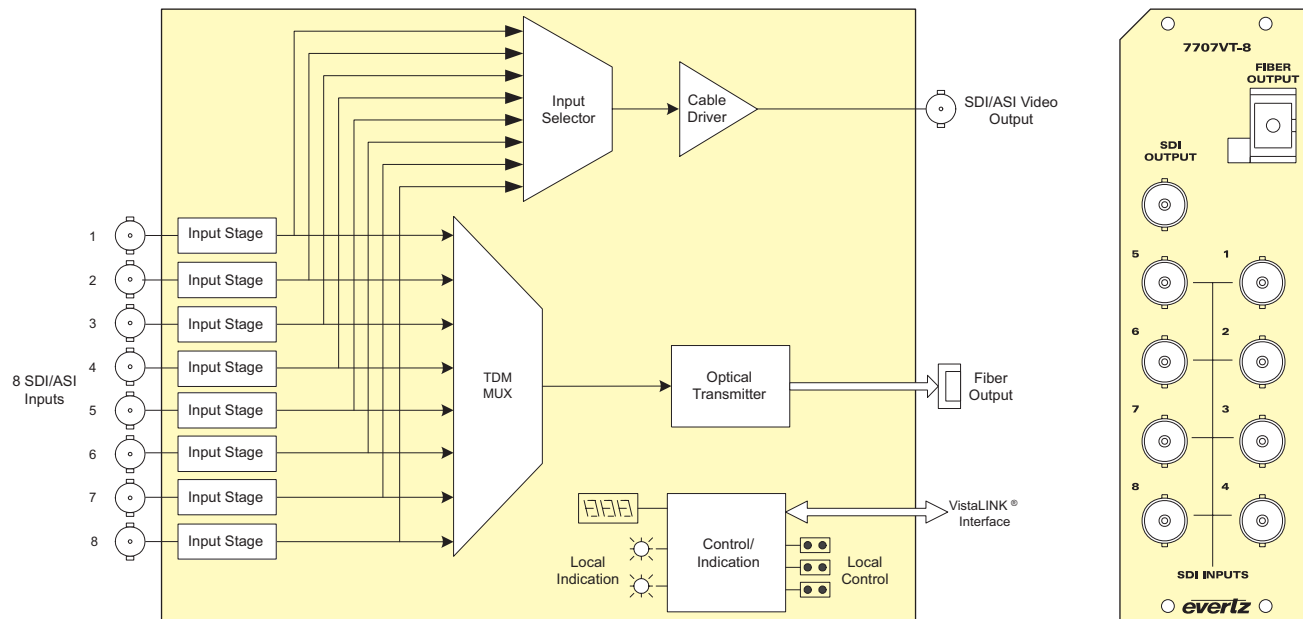
7707VT-8

Eight Channel SDI/ASI Fiber Transmitter



►Features & Benefits

- Multiplexor for eight synchronous or asynchronous 270Mb/s SDI, DVB-ASI or SDTi video signals
- Signal transport uninterrupted by loss of any SDI, DVB-ASI or SDTi input feed
- Transparently passes embedded AES or any other data in the horizontal or vertical ancillary data space
- Comprehensive signal and card status monitoring via four digit card edge display or remotely through SNMP and VistaLINK®
- Occupies two card slots and can be housed in either a 1RU frame which will hold up to 3 modules, a 3RU frame which will hold up to 7 modules, 3RU portable frame that holds up to 3 modules or a standalone frame which will hold 1 module
- VistaLINK® capability is available when modules are used with the 3RU 7800FR frame and a 7700FC VistaLINK® Frame Controller module in slot 1 of the frame
- Automatic coaxial equalization up to 250m at 270Mb/s (Belden 8281)
- Fully hot-swappable from front of frame with no fiber/coax disconnect/reconnect required
- Supports single-mode and multi-mode fiber optic cable (contact factory for multi-mode applications)
- Optical output wavelengths of 1310nm, 1550nm and up to 16 CWDM wavelengths
- DWDM wavelengths also available
- SC/PC, ST/PC, FC/PC fiber connectors available
- Input selection feature allows user to route 1 of the 8 incoming video signals to the SDI output



►Specifications

<p>Serial Video Input: Standard: SMPTE 259M, SMPTE 305M, DVB-ASI Number of Inputs: 8 independent SDI, SDTi or DVB-ASI 270Mb/s signals Connector: 8 BNC per IEC 61169-8 Annex A Equalization: Automatic to 250m @ 270Mb/s with Belden 8281 or equivalent cable Return Loss: > 15dB up to 270Mb/s</p> <p>Serial Video Output: Standards: SMPTE 259M, SMPTE 305M, DVB-ASI Number of Outputs: 1 Independent SDI, SDTi or DVB-ASI 270Mb/s signal Connectors: 1 BNC per IEC 61169-8 Annex A Signal Level: 800mV(nominal) DC Offset: 0V ±0.5V Rise and Fall Time: 900ps(nominal) Overshoot: < 10% of amplitude Return Loss: > 15dB to 270Mb/s Wide Band Jitter: < 0.2 UI</p>	<p>Optical Output: Number: 1 Connector: Female SC/PC, ST/PC or FC/PC Return Loss: > 14dB Wideband Jitter: < 0.2 UI Fiber Size: 9µm core/125µm overall Wavelengths: Standard: 1310nm, 1550nm (nominal) CWDM: 1270nm to 1610nm DWDM: C-Band (ITU-T G.694.1 compliant) (See Ordering Information)</p> <p>Output Power: 1310nm FP(Standard): -6dBm ±1dBm 1550nm & CWDM DFB: 0dBm ±1dBm DWDM DFB: 7dBm ±1dBm</p>	<p>Electrical: Voltage: +12V DC Power: 12W (Non DWDM), 15W (DWDM)</p> <p>Physical (number of slots): 350FR: 2 7700FR-C: 2 7800FR: 2</p> <p>Compliance: Laser Safety: Class 1 laser product Complies with 24 CFR 1040.10 and 1040.11 IEC 60825-1 Complies with FCC Part 15, Class A EU EMC directive</p> <p>EMI/RFI:</p>
---	---	---

►Ordering Information

7707VT13-8	Eight SDI/ASI Mux Fiber Transmitter, 1310nm FP, Laser, VistaLINK®
7707VT15-8	Eight SDI/ASI Mux Fiber Transmitter, 1550nm DFB Laser, VistaLINK®

For CWDM, please refer to the end of the fiber section for ordering information
7707VTxx-8 Eight SDI/ASI Mux Fiber Transmitter, CWDM Laser, VistaLINK®

For DWDM, please refer to the end of the fiber section for ordering information
7707VTDxxx-8 Eight SDI/ASI Mux Fiber Transmitter, DWDM Laser, VistaLINK®

Ordering Options Rear Plate and Fiber Connector must be specified at time of order
 Eg: Model +SC +3RU

Rear Plate Suffix	
+3RU	3RU Rear Plate for use with 350FR, 7700FR-C or 7800FR Multiframe
+1RU	1RU Rear Plate for use with 7701FR Multiframe
+SA	Standalone Enclosure Rear Plate

Connector Suffix	
+SC	SC/PC
+ST	ST/PC
+FC	FC/PC

Enclosures	
350FR	3RU Portable Multiframe which holds up to 7 single slot modules
7700FR-C	3RU Multiframe which holds up to 15 single slot modules
7800FR	3RU Multiframe which holds up to 15 single slot modules
7801FR	1RU Multiframe which holds up to 4 single or 2 dual slot modules
7701FR	1RU Multiframe which holds up to 3 single or dual slot modules
S7701FR	Standalone Enclosure