

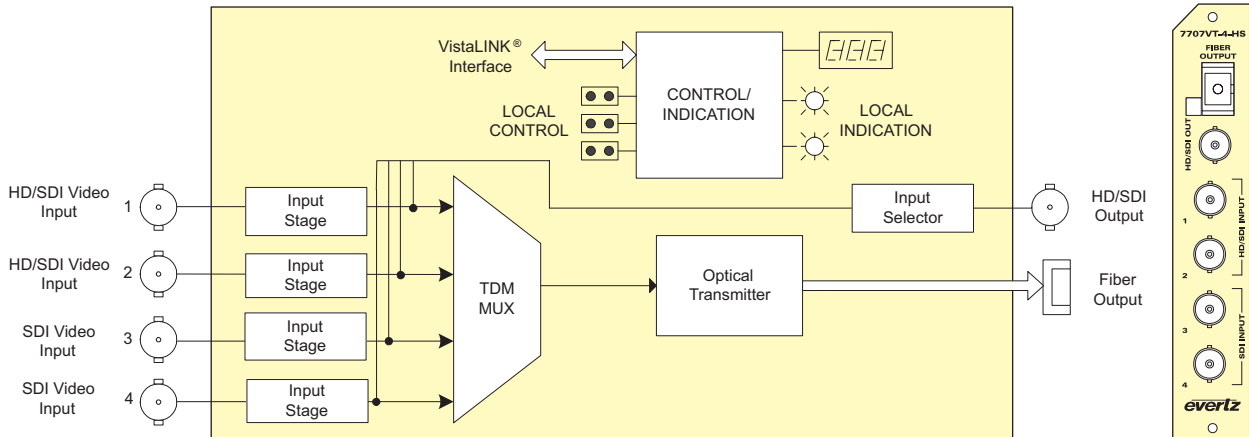
# 7707VT-4-HS

## Quad SD / Dual HD Fiber Transmitter



### Features & Benefits

- Single card TDM multiplexer for two HD-SDI signals, or one HD-SDI signal and three SDI/DVB-ASI signals, or four SDI/DVB-ASI signals
- Two auto-sensing video inputs for HD-SDI or SDI/DVB-ASI video signals
- Two 270Mb/s inputs for SDI or DVB-ASI video signals
- Signal transport over fiber uninterrupted by loss of any HD-SDI, SDI, SDTI or DVB-ASI input feed
- Transparently passes embedded AES or any other data in the horizontal or vertical ancillary data space
- Fully hot-swappable from front of frame
- Comprehensive signal and card status monitoring via four digit card edge display or remotely through SNMP and VistaLINK®
- VistaLINK® capability is available when modules are used with the 3RU 7800FR or 350FR portable frame and a 7700FC VistaLINK® Frame Controller module in slot 1 of the frame
- Automatic coaxial input equalization up to 130m at 1.485Gb/s and 250m at 270Mb/s (Belden 1694A)
- Supports single-mode and multi-mode fiber optic cable (contact factory for multi-mode applications)
- Optical output wavelengths of 1310nm, 1550nm, and up to sixteen CWDM wavelengths (ITU-T G.694.2 compliant)
- DWDM wavelengths (ITU-T G.694.1 compliant) also available
- SC/PC, ST/PC, FC/PC connector options
- Can be housed in either a 1RU frame which will hold up to 3 modules, a 3RU frame which will hold up to 15 modules, 350FR portable frame that holds up to 7 modules or a standalone frame which will hold 1 module



### Specifications

|  |  |   |
|--|--|---|
| <p><b>Serial Video Input:</b><br/>Number of Inputs: 2 HD/SDI/DVB-ASI and 2 SDI/DVB-ASI video signals</p> <p>Standard:<br/>Inputs 1&amp;2: SMPTE 292M, SMPTE 259M-C, DVB-ASI<br/>Inputs 3&amp;4: SMPTE 259M-C, DVB-ASI<br/>Connector: 4 BNC per IEC 61169-8 Annex A<br/>Equalization: Automatic to 100m @ 1.485Gb/s and 250m @ 270Mb/s with Belden 1694A or equivalent cable<br/>Return Loss: &gt; 15dB up to 1.5Gb/s</p> <p><b>Serial Video Output:</b><br/>Number of Outputs: 1, loopback signal user-selectable from above 4 inputs<br/>Connector: 1 BNC per IEC 61169-8 Annex A<br/>Standards: SMPTE 292M, SMPTE 259-C, SMPTE 305.2M<br/>Signal Level: 800mV nominal<br/>DC Offset: 0V ±0.5V<br/>Rise and Fall Time: &lt; 270ps at 1.485Gb/s and 900ps nominal at 270Mb/s<br/>Overshoot: &lt; 10% of amplitude<br/>Return Loss: &gt; 12dB to 1.5Gb/s<br/>Wideband Jitter: &lt; 0.2 UI</p> | <p><b>Optical Output:</b><br/>Number: 1<br/>Connector: Female SC/PC, ST/PC or FC/PC<br/>Return Loss: &gt; 14dB<br/>Rise and Fall Time: 200 ps nominal<br/>Wideband Jitter: &lt; 0.2 UI<br/>Fiber Size: 9µm core/125mm overall<br/>Wavelengths:<br/>Standard: 1310nm, 1550nm (nominal)<br/>CWDM: 1270nm to 1610nm (See Ordering Information)<br/>DWDM: C-Band (ITU-T G.694.1 compliant) (See Ordering Information)</p> <p>Output Power:<br/>1310nm FP(Standard): -6dBm ±1dBm<br/>1550nm &amp; CWDM DFB: 0dBm ±1dBm<br/>DWDM DFB: 7dBm ±1dBm</p> <p><b>Electrical:</b><br/>Voltage: +12V DC<br/>Power: 10W (Non DWDM)<br/>13W (DWDM)</p> | <p><b>Physical (number of slots):</b><br/>350FR: 1<br/>7700FR-C: 1<br/>7800FR: 1</p> <p><b>Compliance:</b><br/>Laser Safety: Complies with 24 CFR 1040.10 and 1040.11<br/>EMI/RFI: Complies with FCC regulations for Class A devices<br/>Complies with EU EMC directive</p> |
|--|--|---|

### Ordering Information

|  |   |
|--|---|
| <b>7707VT13-4-HS</b>   | Quad SD/Dual HD Fiber Transmitter, 1310nm FP, VistaLINK®  |
| <b>7707VT15-4-HS</b>   | Quad SD/Dual HD Fiber Transmitter, 1550nm DFB, VistaLINK® |
| <i>For CWDM, please refer to the end of the fiber section for ordering information</i> |   |
| <b>7707VTxx-4-HS</b>   | Quad SD/Dual HD Fiber Transmitter, CWDM Laser, VistaLINK® |
| <i>For DWDM, please refer to the end of the fiber section for ordering information</i> |   |
| <b>7707VTDxx-4-HS</b>  | Quad SD/Dual HD Fiber Transmitter, DWDM Laser, VistaLINK® |

|                         |       |
|-------------------------|-------|
| <b>Connector Suffix</b> |       |
| +SC                     | SC/PC |
| +ST                     | ST/PC |
| +FC                     | FC/PC |

|                   |  |
|-------------------|--|
| <b>Enclosures</b> |  |
| <b>350FR</b>      | 3RU Portable Multiframe which holds up to 7 single slot modules  |
| <b>7700FR-C</b>   | 3RU Multiframe which holds up to 15 single slot modules          |
| <b>7800FR</b>     | 3RU Multiframe which holds up to 15 single slot modules          |
| <b>7701FR</b>     | 1RU Multiframe which holds up to 3 single or dual slot modules   |
| <b>7801FR</b>     | 1RU Multiframe which holds up to 4 single or 2 dual slot modules |
| <b>S7701FR</b>    | Standalone Enclosure   |

**Ordering Options** Rear Plate and Fiber Connector must be specified at time of order  
Eg: Model +SC +3RU

|                          |  |
|--------------------------|--|
| <b>Rear Plate Suffix</b> |  |
| +3RU                     | 3RU Rear Plate for use with 350FR, 7700FR-C or 7800FR Multiframe |
| +1RU                     | 1RU Rear Plate for use with 7701FR Multiframe                    |
| +SA                      | Standalone Enclosure Rear Plate                                  |