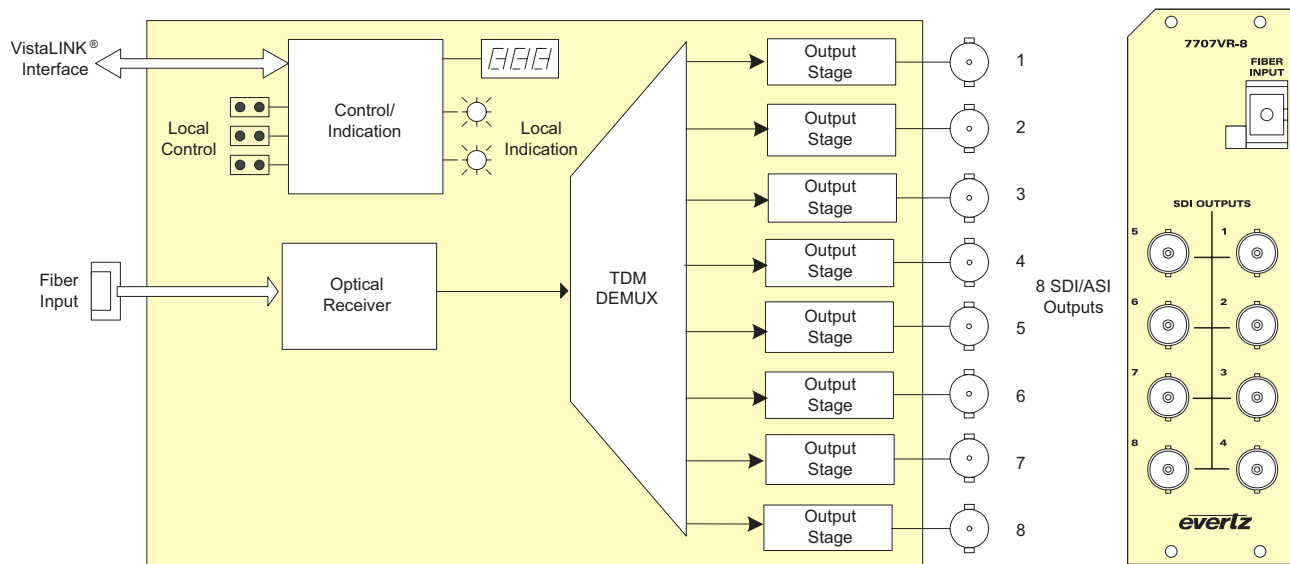




►Features & Benefits

- Demultiplexor for eight synchronous or asynchronous 270Mb/s SDI, DVB-ASI or SDTi video signals
- Signal transport over fiber uninterrupted by loss of any input video feed
- Transparently passes embedded AES or any other data in the horizontal or vertical ancillary data space
- Comprehensive signal and card status monitoring via four digit card edge display or remotely through SNMP and VistaLINK®
- Can be housed in either a 1RU frame which will hold up to 3 modules, a 3RU frame which will hold up to 7 modules, 3RU portable frame that holds up to 3 modules or a standalone frame which will hold 1 module
- VistaLINK® capability is available when modules are used with the 3RU 7800FR or 350FR frame and a 7700FC VistaLINK® Frame Controller module in slot 1 of the frame
- Supports single-mode and multi-mode fiber optic cable (contact factory for multi-mode applications)
- Accepts any wavelength in the 1270nm to 1610nm range
- SC/PC, ST/PC, FC/PC fiber connectors available



►Specifications

<p><b>Optical Input:</b>                  Number of Inputs: 1                  Connector: Female SC/PC, ST/PC, FC/PC                  Return Loss: &gt; 25dB                  Operating Wavelength: 1270nm to 1610nm                  Maximum Input Power:                  Standard Version: -1dBm                  -H Version: -8dBm                  Optical Sensitivity:                  Standard Version: -21dBm                  -H Version: -28.5dBm</p>	<p><b>Serial Video Output:</b>                  Standards: SMPTE 259M, SMPTE 305M, DVB-ASI                  Number of Outputs: 8 independent SDI, SDTi or DVB-ASI 270Mb/s signals                  Connector: 1 BNC per IEC 61169-8 Annex A                  Signal Level: 800mV nominal                  DC Offset: 0V ±0.5V                  Rise and Fall Time: 900ps nominal                  Overshoot: &lt; 10% of amplitude                  Return Loss: &gt; 15dB up to 270Mb/s                  Wide Band Jitter: &lt; 0.2 UI</p>	<p><b>Electrical:</b>                  Voltage: +12V DC                  Power: 12W                  EMI/RFI: Complies with FCC regulations for Class A devices                  Complies with EU EMC directive</p> <p><b>Physical (number of slots):</b>                  350FR: 2                  7700FR-C: 2                  7800FR: 2</p>
--	---	---

►Ordering Information

<b>7707VR-8</b>	Eight SDI/ASI Demux Fiber Receiver, VistaLINK® Monitoring
<b>7707VR-8-H</b>	Eight SDI/ASI Demux Fiber Receiver, High Sensitivity Optical Input, VistaLINK® Monitoring

**Connector Suffix**

<b>+SC</b>	SC/PC
<b>+ST</b>	ST/PC
<b>+FC</b>	FC/PC

**Ordering Options** Rear Plate and Fiber Connector must be specified at time of order  
 Eg: Model +SC +3RU

**Rear Plate Suffix**

<b>+3RU</b>	3RU Rear Plate for use with 350FR, 7700FR-C or 7800FR Multiframe
<b>+1RU</b>	1RU Rear Plate for use with 7701FR Multiframe
<b>+SA</b>	Standalone Enclosure Rear Plate

**Enclosures**

<b>350FR</b>	3RU Portable Multiframe which holds up to 7 single slot modules
<b>7700FR-C</b>	3RU Multiframe which holds up to 15 single slot modules
<b>7800FR</b>	3RU Multiframe which holds up to 15 single slot modules
<b>7801FR</b>	1RU Multiframe which holds up to 4 single or 2 dual slot modules
<b>7701FR</b>	1RU Multiframe which holds up to 3 single or dual slot modules
<b>S7701FR</b>	Standalone Enclosure