

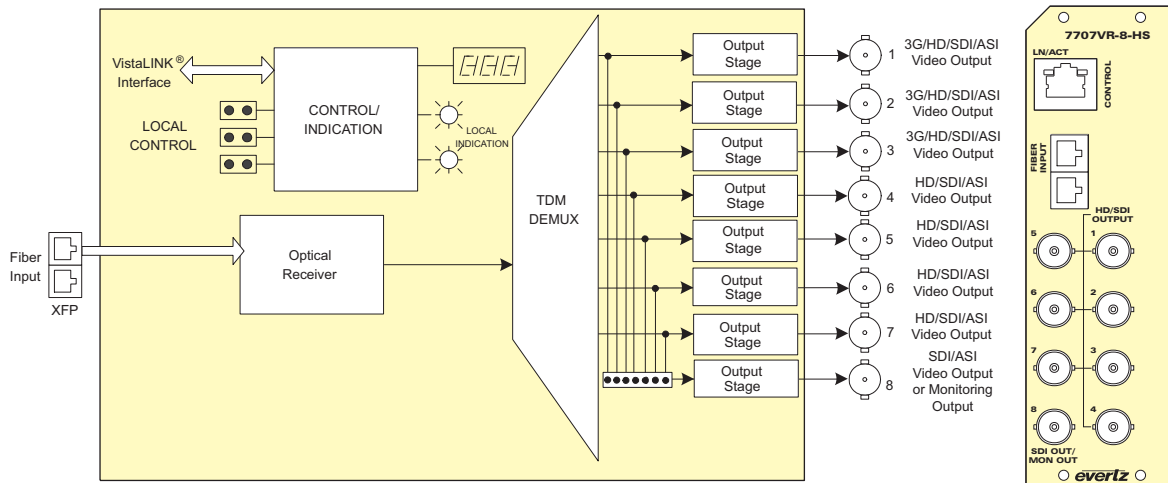
# 7707VR-8-HS

Eight 3G/HD/SDI/DVB-ASI Fiber Receiver



## Features & Benefits

- Single card TDM multiplexer for 3, 3G-SDI, 7 HD-SDI or 8 SDI-SDI/DVB-ASI signals
- Independent signal outputs unaffected by loss of any other HD, SDI, SDTi or DVB-ASI input feed
- Transparently passes embedded AES or any other data in the horizontal or vertical ancillary data space
- Main module fully hot-swappable from front of frame
- Supports single-mode and fiber optic cable (contact factory for multi-mode applications)
- Monitoring output of any input
- Accepts any wavelength in the 1310nm to 1550nm range
- Female LC Duplex Connector
- Comprehensive signal and card status monitoring via four digit card edge display or remotely through SNMP and VistaLINK®
- VistaLINK® capability is available when modules are used with the 3RU 7700FR-C and 350FR frame and a 7700FC VistaLINK® Frame Controller module in slot 1 of the frame
- Occupies two card slots and can be housed in the 3RU 7800FR frame which can hold 7 cards, or the portable 3RU 350FR frame which can hold 3 cards.



## Specifications

### Optical Input:

Number of Inputs: 1  
 Connector: Female LC Duplex  
 Operating Wavelength: 1310nm to 1550nm  
 Maximum Input Power:  
 Standard (+S) Receiver: -1dBm  
 High Sensitivity (+H) Receiver: -7dBm

### Optical Sensitivity:

Standard (+S) Receiver: -14dBm  
 High Sensitivity (+H) Receiver: -22dBm

### Serial Video Outputs:

Number of Outputs: 8  
 Standard: SMPTE 424M, ST 292-1, SMPTE 259M-C, DVB-ASI  
 Connector: BNC per IEC 61169-8 Annex A  
 Signal Level: 800mV nominal  
 DC Offset: 0V ±0.5V  
 Rise and Fall Time:  
 1.485Gb/s: < 270ps  
 270Mb/s: 900ps nominal  
 Overshoot: < 10% of amplitude  
 Return Loss: > 12dB to 1.5Gb/s  
 Alignment Jitter: < 0.2 UI

### Power & Distance:

	TRANSMITTER		RECEIVER	
	MIN	MAX	DISTANCE w/+S*	DISTANCE w/+H*
1310nm	-6dBm	-1dBm	10km	--
1550nm	-1dBm	+2dBm	40km	--
CWDM	+1dBm	+4dBm	40km	80km
DWDM	-1dBm	+2dBm	40km	80km

### Serial Monitoring Output:

Number of outputs: 1 (dual purpose I/O from output 8)  
 Connector: IEC 61169-8 Annex A

### Electrical:

Voltage: +12V DC  
 Power: 20W

### Physical (Number of Slots):

7700FR-C: 2  
 7800FR: 2  
 7701FR: 2

\*Note: The distance specified above are based on ideal conditions. Please contact the factory to verify actual conditions and infrastructure of your network before ordering.

The Complete Solution Provider



**Ordering Information**

<b>7707VR-8-HS+NF</b>	8x 3G/HD/SDI/DVB-ASI Fiber Receiver, VistaLINK® No fiber
<b>7707VR-8-HS+S</b>	8x 3G/HD/SDI/DVB-ASI Fiber Receiver, VistaLINK® Standard Sensitivity XFP
<b>7707VR-8-HS+H</b>	8x 3G/HD/SDI/DVB-ASI Fiber Receiver, VistaLINK® High Sensitivity XFP

**Ordering Options** Rear Plate and Fiber Option must be specified at time of order  
Eg: Model +15+3RU, Model +C57+3RU

**Rear Plate Suffix**  
**+3RU** 3RU Rear Plate for use with 350FR, 7700FR-C or 7800FR Multiframe

**Spare XFP Ordering Options**

<b>XFPTR-13</b>	Optical XFP Transmitter, 10Gbs, 1310nm
<b>XFPTR-15</b>	Optical XFP Transmitter, 10Gbs, 1550nm
<b>XFPTR-S</b>	Optical XFP Receiver, 10Gbs, Standard Sensitivity
<b>XFPTR-15H</b>	Optical XFP Transceiver, 10Gb/s, High sensitivity, 1550nm
<b>XFPTR-Cxx</b>	Optical XFP Transmitter, 10Gbs, CWDM Where xx=47 to 61 for CWDM wavelengths
<b>XFPTR-Dxxx</b>	Optical XFP Transmitter, 10Gbs, DWDM Where xx=200 to 590 for DWDM wavelengths

**Accessories****Fiber Optic Patch Cable**

See CWDM & DWDM Ordering Information Page

**Enclosures**

**350FR**  
**7700FR-C**  
**7800FR**  
**7801FR**

3RU Portable Multiframe which holds up to 7 single slot modules  
3RU Multiframe which holds up to 15 single slot modules  
3RU Multiframe which holds up to 15 single slot modules  
1RU Multiframe which holds up to 4 single or 2 dual slot modules