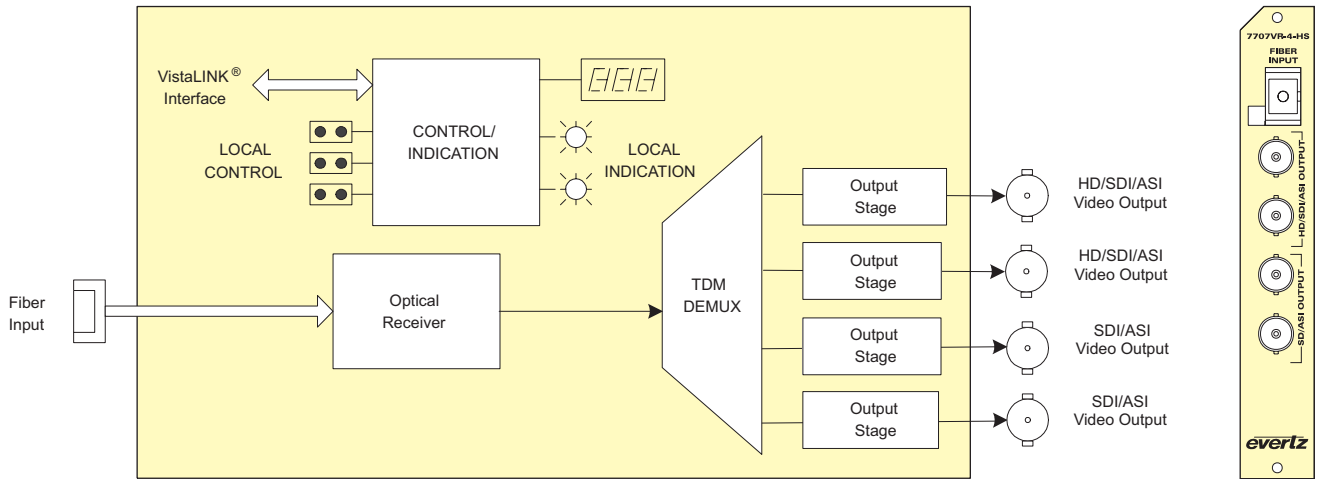




### ► Features & Benefits

- Single card TDM de-multiplexer for two HD-SDI signals, or one HD-SDI signal and three SDI/DVB-ASI signals, or four SDI/DVB-ASI signals
- Low jitter outputs
- Independent signal outputs unaffected by loss of any other HD, SDI or DVB-ASI input feed
- Transparently passes embedded AES or any other data in the horizontal or vertical ancillary data space
- Fully hot-swappable from front of frame
- Supports single-mode and multi-mode fiber optic cable (contact factory for multi-mode applications)
- Accepts any wavelength in the 1270nm to 1610nm range
- SC/PC, ST/PC, FC/PC connector options
- Comprehensive signal and card status monitoring via four digit card edge display or remotely through SNMP and VistaLINK®
- VistaLINK® capability is available when modules are used with the 3RU 7800FR or 350FR frame and a 7700FC VistaLINK® Frame Controller module in slot 1 of the frame
- Can be housed in either a 1RU frame which will hold up to 3 modules, a 3RU frame which will hold up to 15 modules, 3RU portable frame that holds up to 7 modules or a standalone frame which will hold 1 module



### ► Specifications

<b>Optical Input:</b> Number of Inputs: 1 Connector: Female SC/PC, ST/PC, FC/PC Return Loss: > 25dB Operating Wavelength: 1270nm to 1610nm Maximum Input Power: Standard Version: -1dBm -H Version: -8dBm Optical Sensitivity: Standard Version: -22dBm -H Version: -28dBm	<b>Serial Video Outputs:</b> Number of Outputs: 2 HD/SDI/DVB-ASI and 2 SDI/DVB-ASI video signals Standard: Outputs 1&2: SMPTE 292M, SMPTE 259M-C, DVB-ASI Outputs 3&4: SMPTE 259M-C, DVB-ASI Connector: 1 BNC per IEC 61169-8 Annex A Signal Level: 800mV nominal DC Offset: 0V ±0.5V Rise and Fall Time: 1.485Gb/s: < 270ps 270Mb/s: 900ps nominal Overshoot: < 10% of amplitude Return Loss: > 12dB to 1.5Gb/s Wide Band Jitter: < 0.2 UI	<b>Electrical:</b> Voltage: +12V DC Power: 10W <b>Physical (number of slots):</b> 350FR: 1 7700FR-C: 1 7800FR: 1 <b>Compliance:</b> Laser Safety: Complies with 24 CFR 1040.10 and 1040.11 EMI/RFI: Complies with FCC regulations for Class A devices Complies with EU EMC directive
--	--	--

### ► Ordering Information

<b>7707VR-4-HS</b>	Quad SD/Dual HD Demux Fiber Receiver, VistaLINK®
<b>7707VR-4-HS-H</b>	Quad SD/Dual HD Demux Fiber Receiver, High sensitivity RX, VistaLINK®

<b>Connector Suffix</b>	
+SC	SC/PC
+ST	ST/PC
+FC	FC/PC

**Ordering Options** Rear Plate and Fiber Connector must be specified at time of order  
 Eg: Model +SC +3RU

<b>Rear Plate Suffix</b>	
+3RU	3RU Rear Plate for use with 350FR, 7700FR-C or 7800FR Multiframe
+1RU	1RU Rear Plate for use with 7701FR Multiframe
+SA	Standalone Enclosure Rear Plate

<b>Enclosures</b>	
<b>350FR</b>	3RU Portable Multiframe which holds up to 7 single slot modules
<b>7700FR-C</b>	3RU Multiframe which holds up to 15 single slot modules
<b>7800FR</b>	3RU Multiframe which holds up to 15 single slot modules
<b>7701FR</b>	1RU Multiframe which holds up to 3 single or dual slot modules
<b>7801FR</b>	1RU Multiframe which holds up to 4 single or 2 dual slot modules
<b>S7701FR</b>	Standalone Enclosure